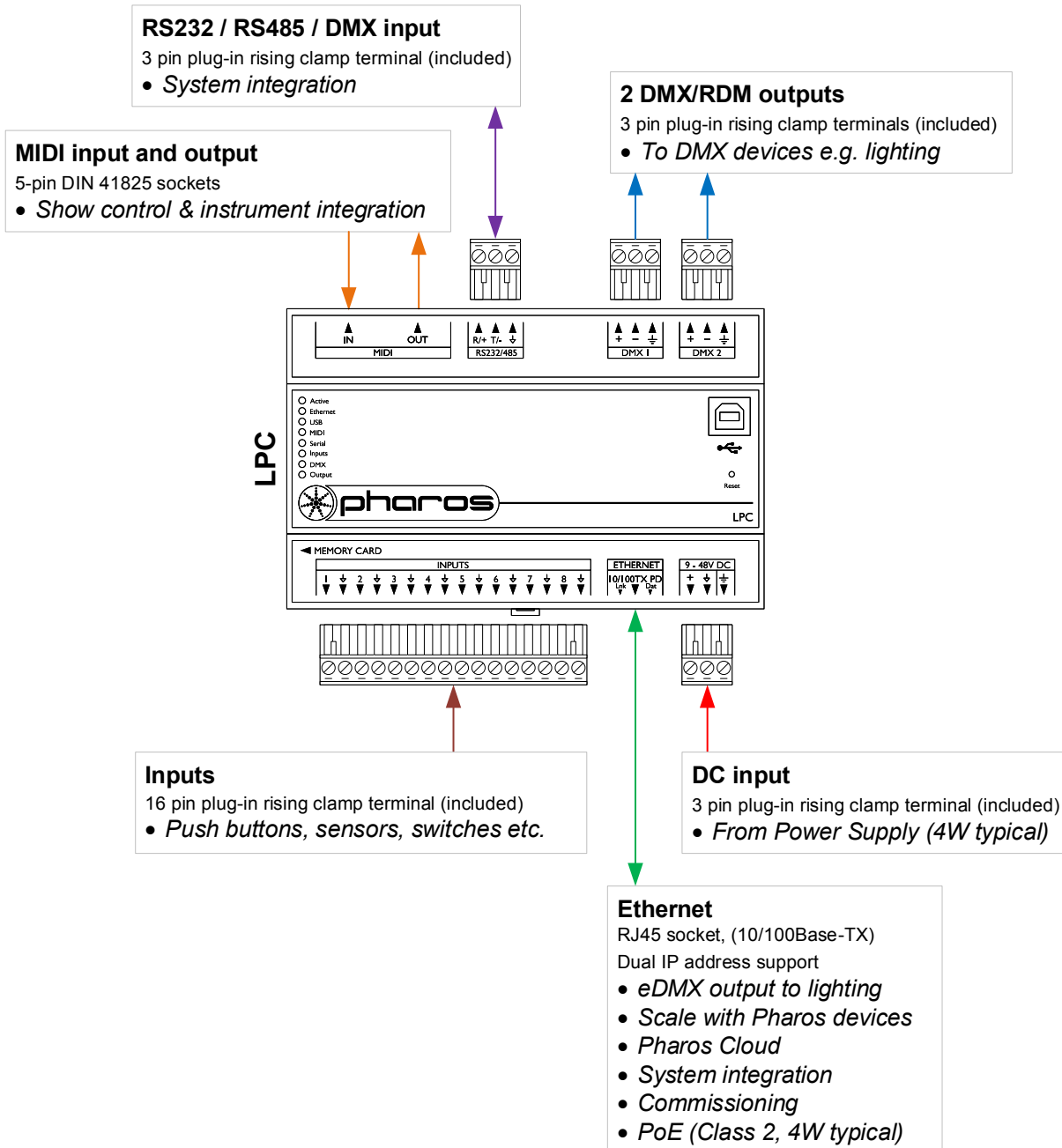



Type:	LPC 1	LPC 2	LPC 4
DMX 1	≤ 512 channels	≤ 512 channels	≤ 512 channels
DMX 2	Clone to DMX1 *	≤ 512 channels	≤ 512 channels
eDMX	≤ 512 channels	≤ 1,024 channels	≤ 2,048 channels
<b>Total</b>	<b>≤ 512 channels</b>	<b>≤ 1,024 channels</b>	<b>≤ 2,048 channels</b>

\* TPC channels can be output via an LPC1's DMX 2 port  
Pharos supports free patch, multiple protocols and universes simultaneous. Only the channels count.



**note:** Power via PoE or DC power

- Consult the **Installation Guide** for technical details
- See **General Notes.pdf** for information on cabling types
- Contact your supplier, visit our website or mail support with any other questions

 pharoscontrols.com	Reference: 0001	Name: LPC interfaces		
	Size: A4	Date: 27/09/2016	Rev: V 1.0	Notes: Setup
	Page: 1 of 1	17/09/2018	V 1.1	Minor adjustments
		21/01/2019	V 1.2	Minor adjustments
	27/05/2021	V 1.3	Minor adjustments	

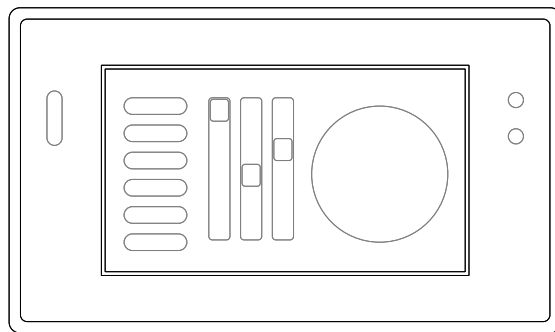
**IR sensor**

- Remote control integration

**Temperature sensor**

- Display temperature
- System integration

TPC



**Touch interface**

- User input
- Textual & Visual feedback

**Proximity & light sensor**

- Screen control

**Ethernet**

- RJ45 socket, (10/100Base-TX)
- Dual IP address support
- eDMX output to lighting
- Scale with Pharos devices
- Pharos Cloud
- System integration
- Commissioning
- Management
- PoE (Class 2, 4W typical)

- Consult the **Installation Guide** for technical details
- See **General Notes.pdf** for information on cabling types
- Contact your supplier, visit our website or mail support with any other questions



pharoscontrols.com

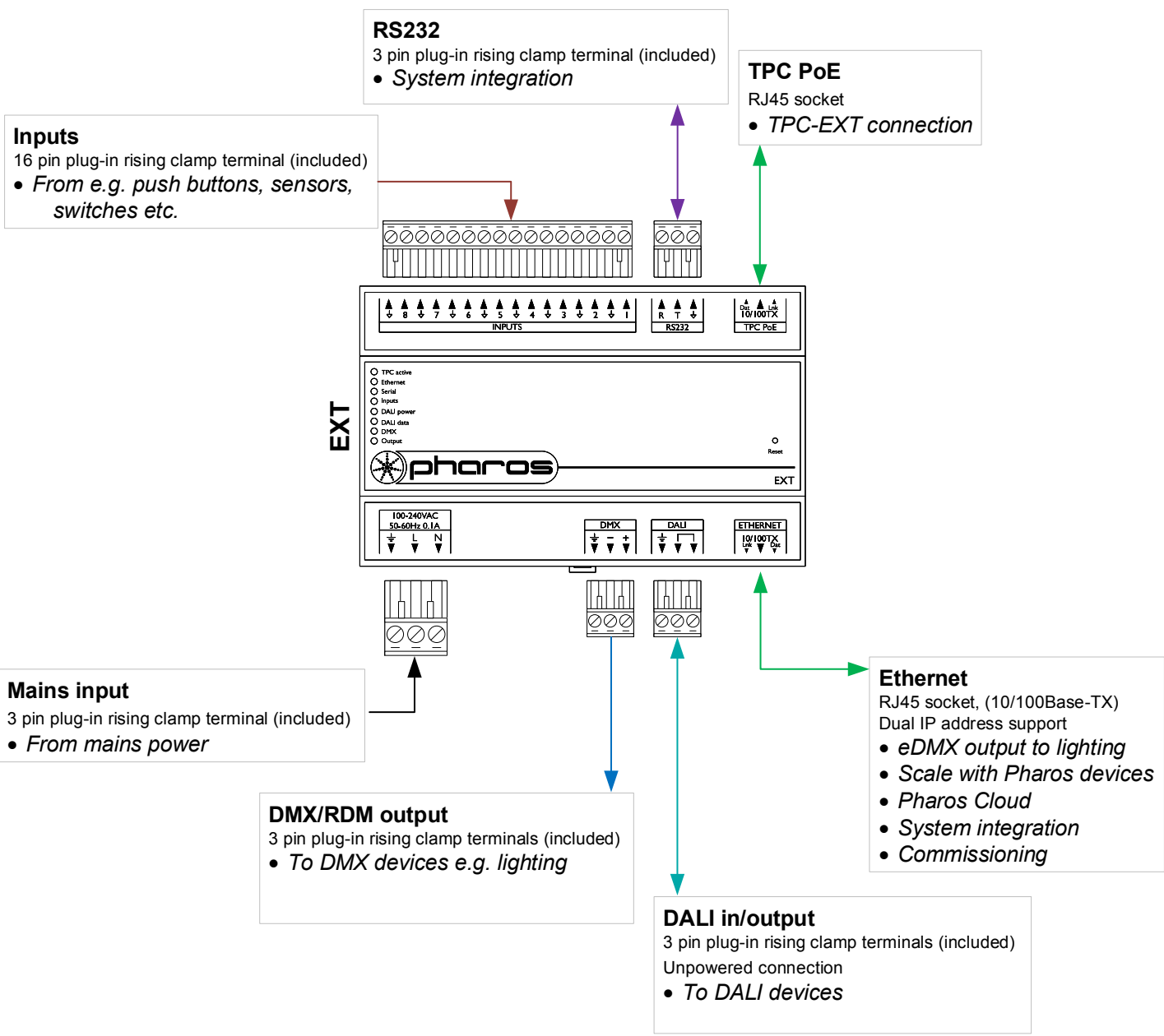
Reference:  
0002

Size:  
A4

Page:  
1 of 1


Name:  
TPC interfaces

Date:	Rev:	Notes:
27/09/2016	V 1.0	Setup
17/09/2018	V 1.1	Minor adjustments
21/01/2019	V 1.2	Minor adjustments
27/05/2021	V 1.3	Minor adjustments



**note:** Requires Pharos TPC to operate

- Consult the **Installation Guide** for technical details
- See **General Notes.pdf** for information on cabling types
- Contact your supplier, visit our website or mail support with any other questions

 pharoscontrols.com	Reference: 0003	Name: EXT interfaces		
	Size: A4	Date: 27/09/2016	Rev: V 1.0	Notes: Setup
	Page: 1 of 1	17/09/2018	V 1.1	Minor adjustments
		21/01/2019	V 1.2	Minor adjustments
	27/05/2021	V 1.3	Minor adjustments	

Type:	<b>LPC X (X=10,20,30...100)</b>
eDMX	≤ X *512 channels
Total	≤ X *512 channels

### Ethernet / Management

RJ45 socket, (10/100/1000 Base-TX)

- System integration
- Pharos Cloud
- Scale with Pharos devices
- Commissioning

### RS232

DB9 connector

- System integration

### Audio output

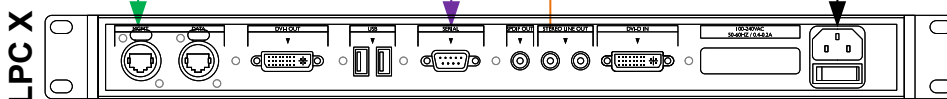
Left + Right cinch connector  
SPDIF cinch connector

- To audio system

### Mains input

IEC connector. UK, EU and US cable included

- From mains power installation
- 100-240V AC 50-60Hz 0.4-0.2A
- 40W typical, 100W maximum



### Ethernet / Data

RJ45 socket (10/100/1000 Base-TX)

- eDMX output to lighting

### USB

For service use only

### DVI-D Input (Optional upon order)

DVI-I connector, only DVI-D supported

- For live video input
- Specify 'DVI-D in' during ordering

### DVI-I Output

DVI-I connector

- To DVI-I compatible fixtures
- To preview monitor

- Consult the **Installation Guide** for technical details
- See **General Notes.pdf** for information on cabling types
- Contact your supplier, visit our website or mail support with any other questions



pharoscontrols.com

Reference:  
0004

Size:  
A4

Page:  
1 of 1

Name:  
LPC X interfaces

Date:	Rev:	Notes:
27/09/2016	V 1.0	Setup
17/09/2018	V 1.1	Minor adjustments
21/01/2019	V 1.2	Minor adjustments
27/05/2021	V 1.3	Minor adjustments

Type:	VLC __ ( __=50,100,250,500,1000,1500)
eDMX	≤ __*512 channels
Total	≤ __*512 channels

### Ethernet / Management

RJ45 socket, (10/100/1000 Base-TX)

- System integration
- Pharos Cloud
- Scale with Pharos devices
- Commissioning

### RS232

DB9 connector

- System integration

### Audio output

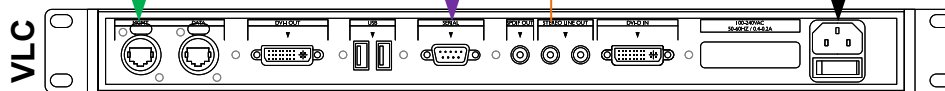
Left + Right cinch connector  
SPDIF cinch connector

- To audio system

### Mains input

IEC connector. UK, EU and US cable included

- From mains power installation
- 100-240V AC 50-60Hz 0.4-0.2A
- 40W typical, 100W maximum



### Ethernet / Data

RJ45 socket (10/100/1000 Base-TX)

- eDMX output to lighting

### USB

For service use only

### DVI-D Input

DVI-I connector, only DVI-D supported

- For live video input

### DVI-I Output

(future development)

- Consult the **Installation Guide** for technical details
- See **General Notes.pdf** for information on cabling types
- Contact your supplier, visit our website or mail support with any other questions



pharoscontrols.com

Reference:  
0005

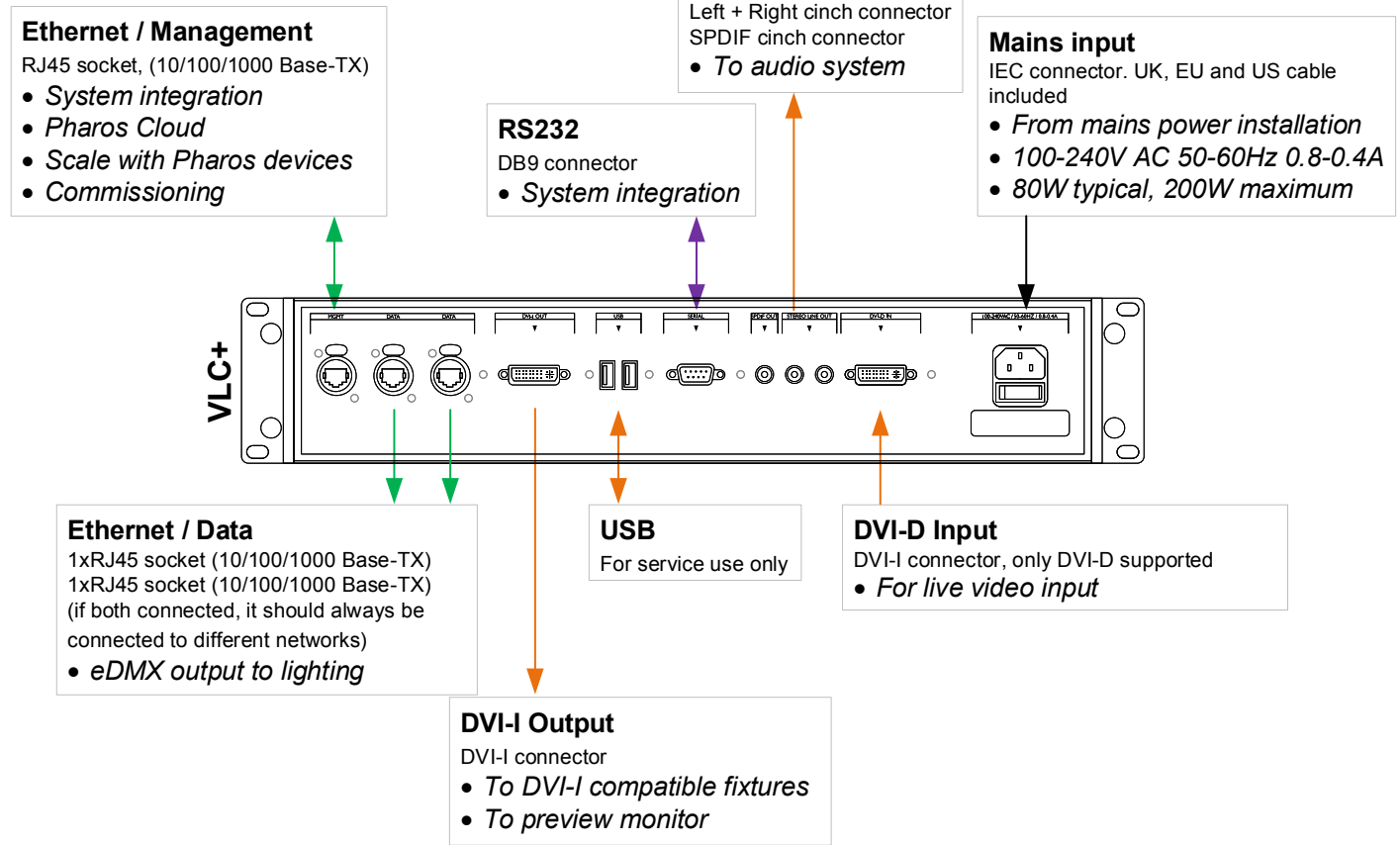
Size:  
A4

Page:  
1 of 1

Name:  
VLC interfaces

Date:	Rev:	Notes:
27/09/2016	V 1.0	Setup
17/09/2018	V 1.1	Minor adjustments
21/01/2019	V 1.2	Minor adjustments
27/05/2021	V 1.3	Minor adjustments

Type:	VLC __ ( __=50,100,250,500,1000,1500)
eDMX	≤ __*512 channels
Total	≤ __*512 channels



- Consult the **Installation Guide** for technical details
- See **General Notes.pdf** for information on cabling types
- Contact your supplier, visit our website or mail support with any other questions



pharoscontrols.com

Reference: 0006	Name: VLC+ interfaces		
Size: A4	Date:	Rev:	Notes:
Page: 1 of 1	27/09/2016	V 1.0	Setup
	17/09/2018	V 1.1	Minor adjustments
	21/01/2019	V 1.2	Minor adjustments
	27/05/2021	V 1.3	Minor adjustments

Type:	Inputs	Outputs	Serial Port
RIO 80	8	0	Yes
RIO 44	4	4	Yes
RIO 08	0	8	Yes

#### 4 Inputs

8 pin plug-in rising clamp terminal (included)  
Free configurable between 0-24V

- From e.g. push buttons, sensors, switches etc.
- Contact closure, digital, analogue

#### 4 Outputs

8 pin plug-in rising clamp terminal (included)  
Solid state relays, max 48V 250mA

- To e.g. relays, sensors, indicator lights etc.

#### 4 Outputs

8 pin plug-in rising clamp terminal (included)  
Solid state relays, max 48V 250mA

- To e.g. relays, sensors, indicator lights etc.

#### RS232 / RS485 / DMX output

3 pin plug-in rising clamp terminal (included)

- System integration
- DMX output <96 channels

#### RS232 / RS485 / DMX output

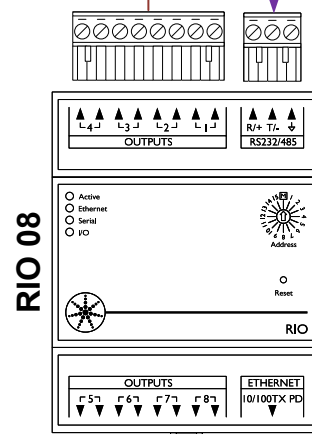
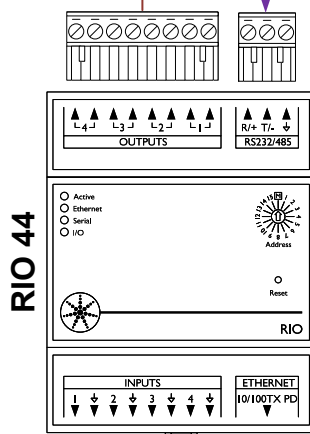
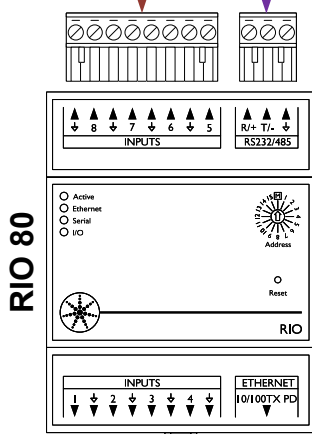
3 pin plug-in rising clamp terminal (included)

- System integration
- DMX output <96 channels

#### RS232 / RS485 / DMX output

3 pin plug-in rising clamp terminal (included)

- System integration
- DMX output <96 channels



Thumb wheel  
• Addressing

#### Ethernet

- RJ45 socket
- Link to Pharos controller
  - PoE power
  - Commissioning

#### Ethernet

- RJ45 socket
- Link to Pharos controller
  - PoE power
  - Commissioning

#### Ethernet

- RJ45 socket
- Link to Pharos controller
  - PoE power
  - Commissioning

#### 4 Inputs

8 pin plug-in rising clamp terminal (included)  
Free configurable between 0-24V

- From e.g. push buttons, sensors, switches etc.
- Contact closure, digital, analogue

#### 4 Inputs

8 pin plug-in rising clamp terminal (included)  
Free configurable between 0-24V

- From e.g. push buttons, sensors, switches etc.
- Contact closure, digital, analogue

#### 4 Outputs

8 pin plug-in rising clamp terminal (included)  
Solid state relays, max 48V 250mA

- To e.g. relays, sensors, indicator lights etc.

**note:** Requires Pharos controller to operate

- Consult the **Installation Guide** for technical details
- See **General Notes.pdf** for information on cabling types
- Contact your supplier, visit our website or mail support with any other questions



pharoscontrols.com

Reference:  
0011

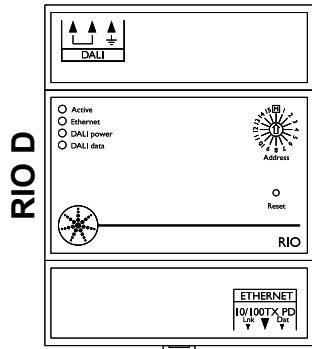
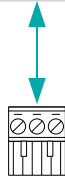
Size:  
A4

Page:  
1 of 1

Name:  
RIO interfaces

Date:	Rev:	Notes:
27/09/2016	V 1.0	Setup
17/09/2018	V 1.1	Minor adjustments
21/01/2019	V 1.2	Minor adjustments
27/05/2021	V 1.3	Minor adjustments

**DALI in/output**  
 3 pin plug-in rising clamp terminal (included)  
 Unpowered connection  
 • To DALI devices




**Thumb wheel**  
 • Addressing

**Ethernet**  
 RJ45 socket  
 • Link to Pharos controller  
 • PoE power  
 • Commissioning

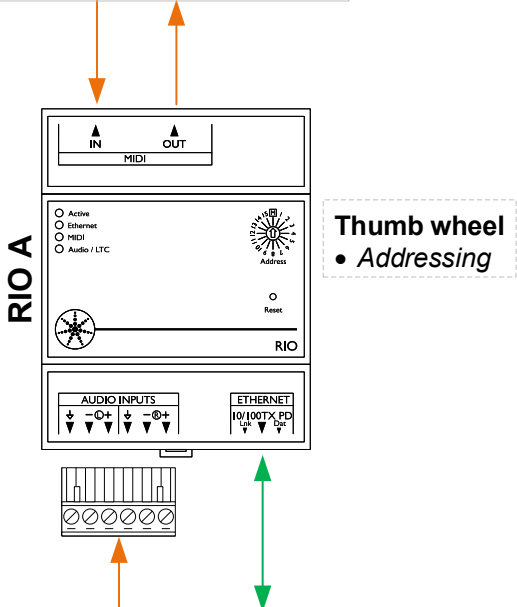
**note:** Requires Pharos LPC, LPC X or TPC to operate

- Consult the **Installation Guide** for technical details
- See **General Notes.pdf** for information on cabling types
- Contact your supplier, visit our website or mail support with any other questions

 pharoscontrols.com	Reference: 0012	Name: RIO D interfaces		
	Size: A4	Date:	Rev:	Notes:
	Page: 1 of 1	27/09/2016	V 1.0	Setup
		17/09/2018	V 1.1	Minor adjustments
	21/01/2019	V 1.2	Minor adjustments	
	27/05/2021	V 1.3	Minor adjustments	



**MIDI input and output**  
 5-pin DIN 41825 sockets  
 • Show control & instrument integration




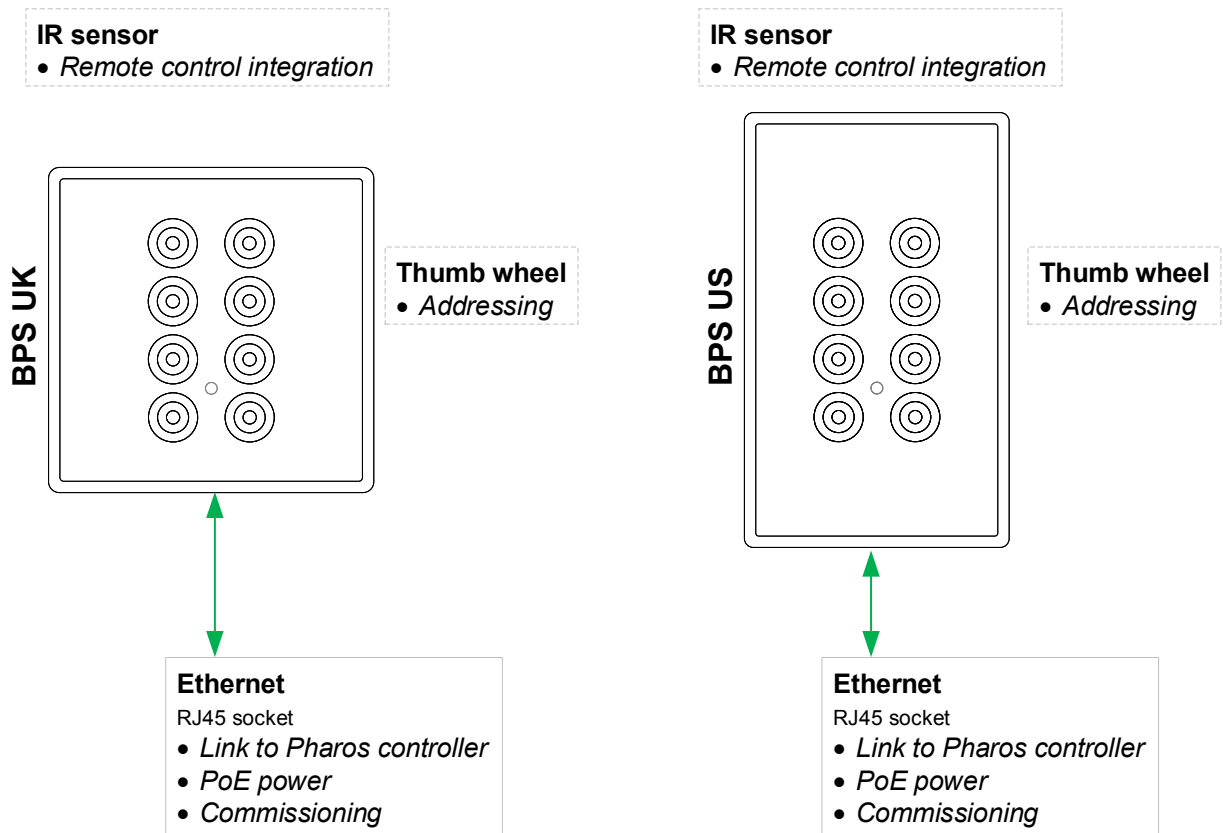
**Audio / LTC input**  
 6 pin plug-in rising clamp terminal (included)  
 Left and Right Balanced audio @0dBV  
 • From audio source  
 • From timecode source

**Ethernet**  
 RJ45 socket  
 • Link to Pharos controller  
 • PoE power  
 • Commissioning

**note:** Requires Pharos controller to operate

- Consult the **Installation Guide** for technical details
- See **General Notes.pdf** for information on cabling types
- Contact your supplier, visit our website or mail support with any other questions

 pharoscontrols.com	Reference: 0013	Name: RIO A interfaces		
	Size: A4	Date:	Rev:	Notes:
	Page: 1 of 1	27/09/2016	V 1.0	Setup
		17/09/2018	V 1.1	Minor adjustments
	21/01/2019	V 1.2	Minor adjustments	
	27/05/2021	V 1.3	Minor adjustments	



**note:** Requires Pharos controller to operate

- Consult the **Installation Guide** for technical details
- See **General Notes.pdf** for information on cabling types
- Contact your supplier, visit our website or mail support with any other questions



pharoscontrols.com

Reference: 0014	Name: BPS Interfaces		
Size: A4	Date:	Rev:	Notes:
Page: 1 of 1	27/09/2016	V 1.0	Setup
	17/09/2018	V 1.1	Minor adjustments
	21/01/2019	V 1.2	Minor adjustments
	27/05/2021	V 1.3	Minor adjustments

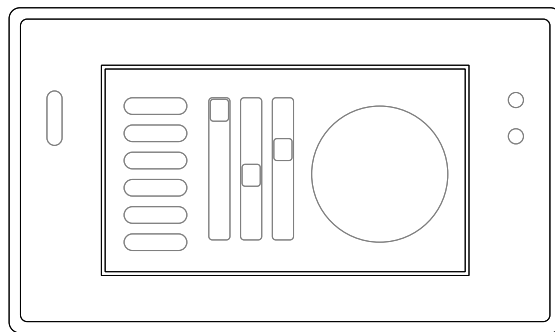
**IR sensor**

- Remote control integration

**Temperature sensor**

- Display temperature
- System integration

TPS



**Touch interface**

- User input
- Textual & Visual feedback

**Proximity & light sensor**

- Screen control

**Ethernet**

RJ45 socket

- Link to Pharos controller
- PoE power
- Commissioning

- Consult the **Installation Guide** for technical details
- See **General Notes.pdf** for information on cabling types
- Contact your supplier, visit our website or mail support with any other questions



pharoscontrols.com

Reference:  
0015

Size:  
A4

Page:  
1 of 1

Name:  
TPS interfaces

Date:	Rev:	Notes:
27/09/2016	V 1.0	Setup
17/09/2018	V 1.1	Minor adjustments
21/01/2019	V 1.2	Minor adjustments
27/05/2021	V 1.3	Minor adjustments