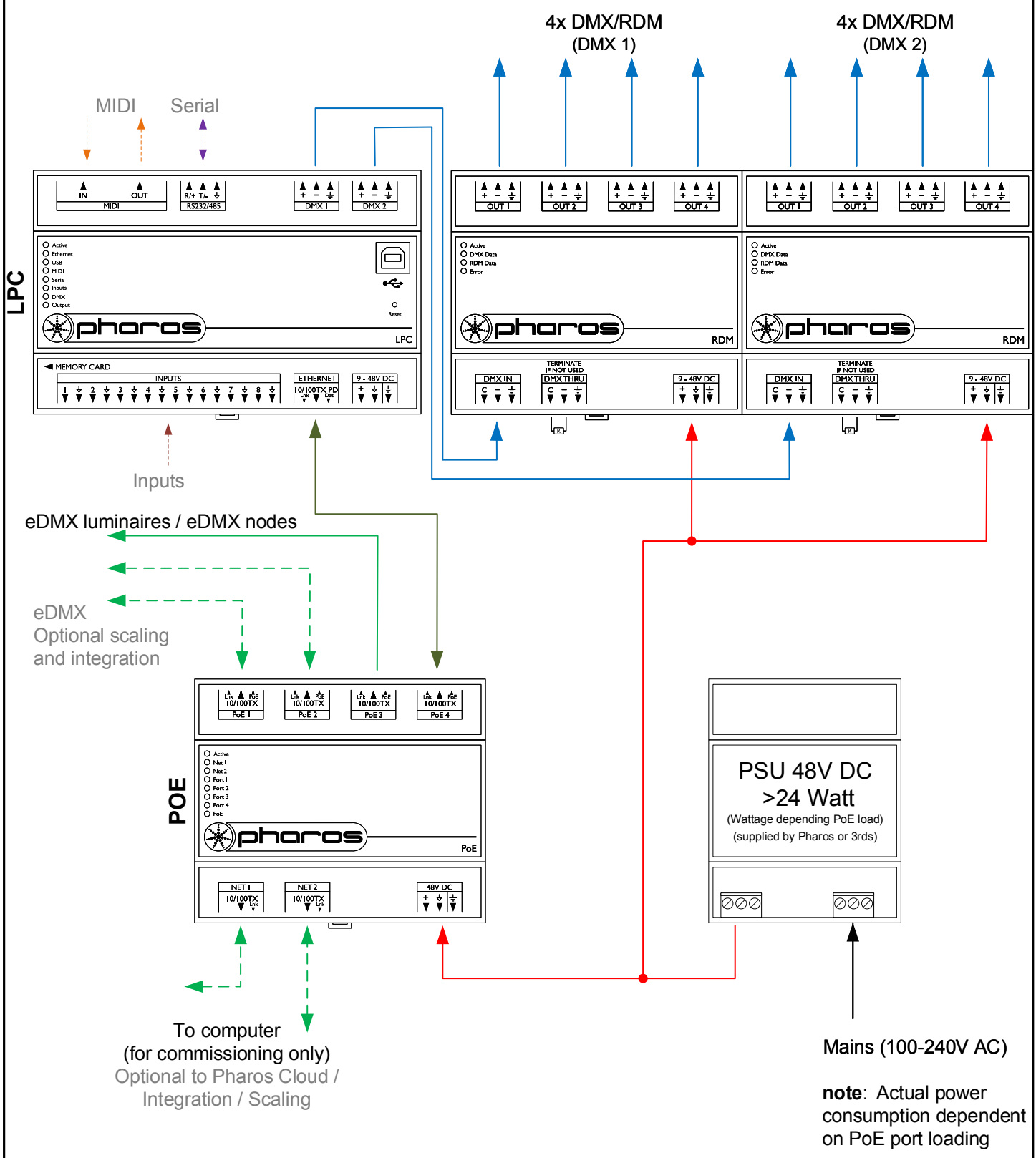


| Type: | LPC 1 | LPC 2 | LPC 4 |
|--------------|-----------------------|-------------------------|-------------------------|
| DMX 1 | ≤ 512 channels | ≤ 512 channels | ≤ 512 channels |
| DMX 2 | Clone to DMX1 | ≤ 512 channels | ≤ 512 channels |
| eDMX | ≤ 512 channels | ≤ 1,024 channels | ≤ 2,048 channels |
| Total | ≤ 512 channels | ≤ 1,024 channels | ≤ 2,048 channels |



- Consult the **Installation Guide** for technical details
- See **General Notes.pdf** for information on cabling types
- **More configurations** are possible to fulfil any project
- Contact your supplier or visit our website for support


 pharoscontrols.com

| | | | |
|--------------------|----------------------------|---------------|-------------------|
| Reference: 1107 | Name: LPC - POE - 2xRDM | | |
| Size: A4 | Date: 27/09/2017 | Rev: V 1.0 | Notes: Setup |
| Page: | 17/09/2018 | V 1.1 | Minor adjustments |
| | 21/01/2019 | V 1.2 | Minor adjustments |
| | 27/05/2021 | V 1.3 | Minor adjustments |