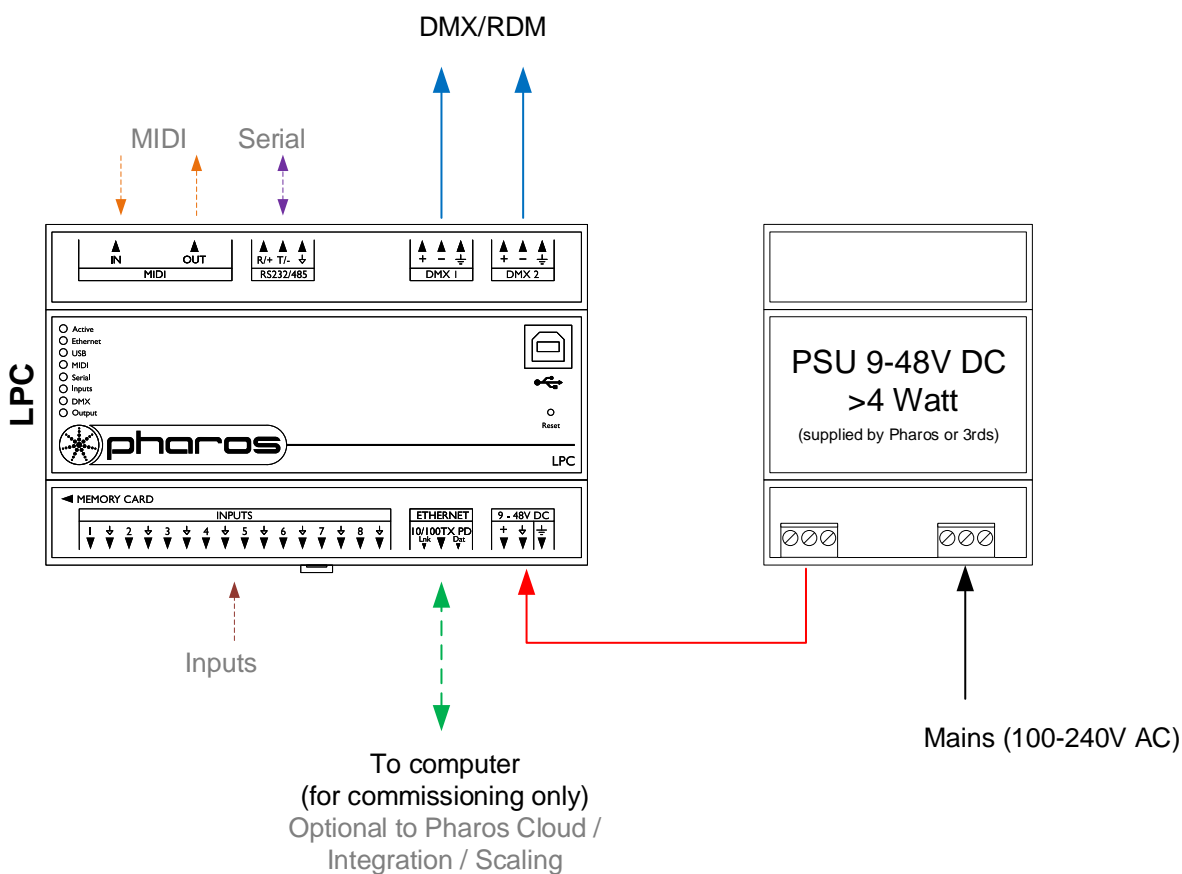



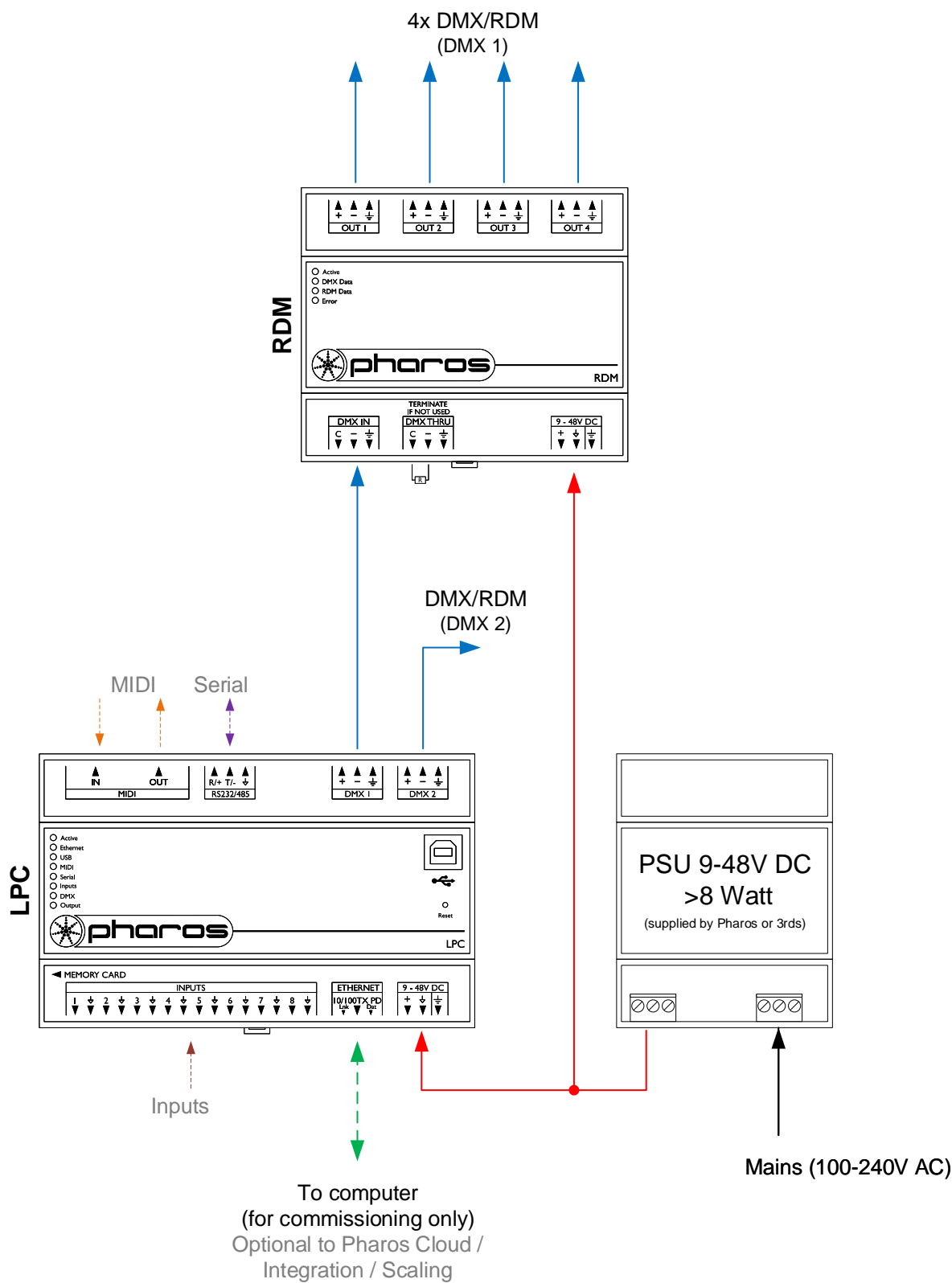
Type:	LPC 1	LPC 2
DMX 1	≤ 512 channels	≤ 512 channels
DMX 2	Clone to DMX1	≤ 512 channels
<b>Total</b>	<b>≤ 512 channels</b>	<b>≤ 1,024 channels</b>




- Consult the **Installation Guide** for technical details
- See **General Notes.pdf** for information on cabling types
- **More configurations** are possible to fulfil any project
- Contact your supplier or visit our website for support

 pharoscontrols.com	Reference: 1101	Name: LPC (DC power)	
	Size: A4	Date: 27/09/2017	Rev: V 1.0
	Page:		Notes: Setup
			Minor adjustments
	21/01/2019	V 1.2	Minor adjustments
	27/05/2021	V 1.3	Minor adjustments

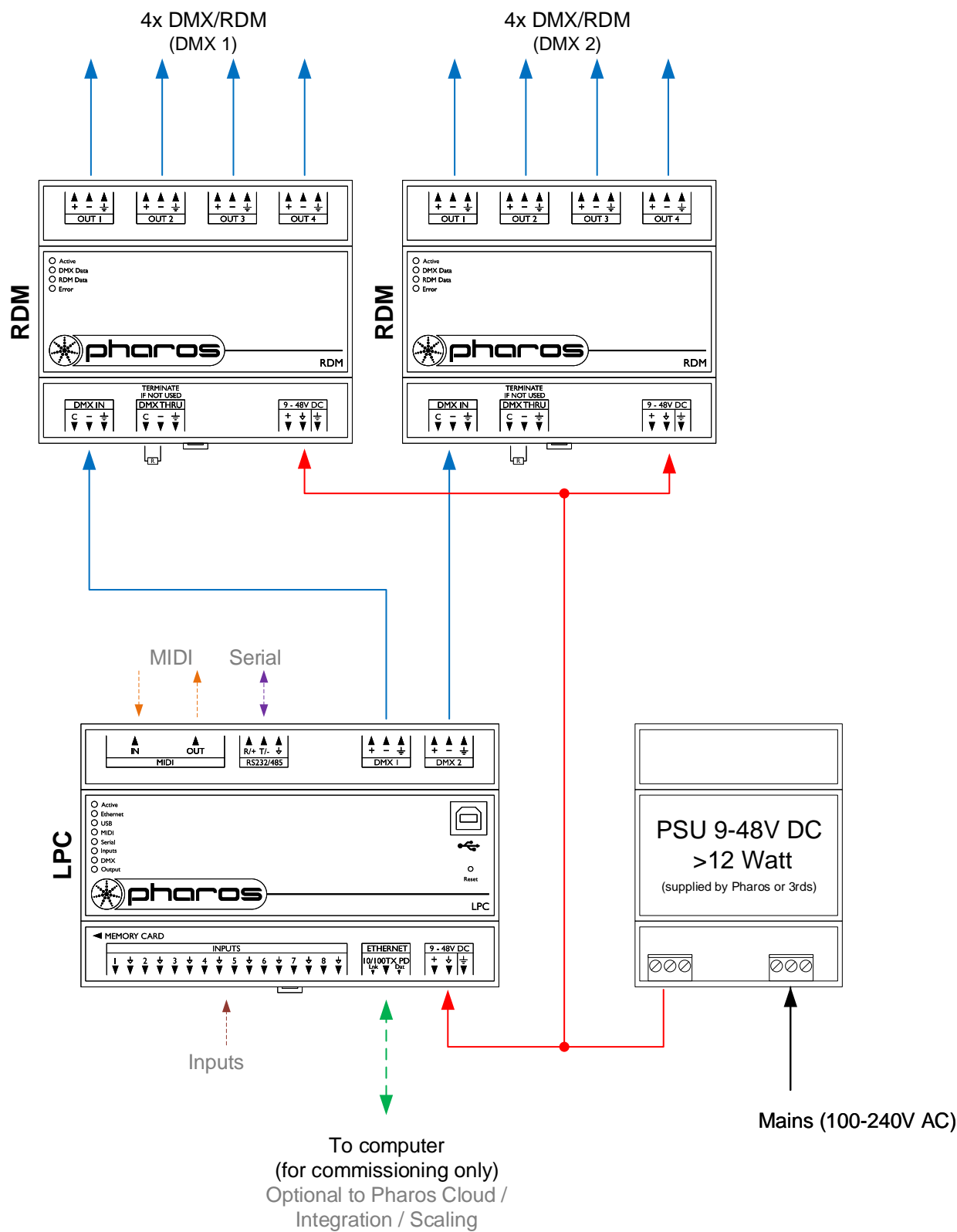
<b>Type:</b>	<b>LPC 1</b>	<b>LPC 2</b>
DMX 1	≤ 512 channels	≤ 512 channels
DMX 2	Clone to DMX1	≤ 512 channels
<b>Total</b>	<b>≤ 512 channels</b>	<b>≤ 1,024 channels</b>




- Consult the **Installation Guide** for technical details
- See **General Notes.pdf** for information on cabling types
- **More configurations** are possible to fulfil any project
- Contact your supplier or visit our website for support

 pharoscontrols.com	Reference: 1102	Name: LPC - RDM (DC power)		
	Size: A4	Date: 27/09/2017	Rev: V 1.0	
	Page:	Notes: Setup	Minor adjustments	
		Minor adjustments	Minor adjustments	

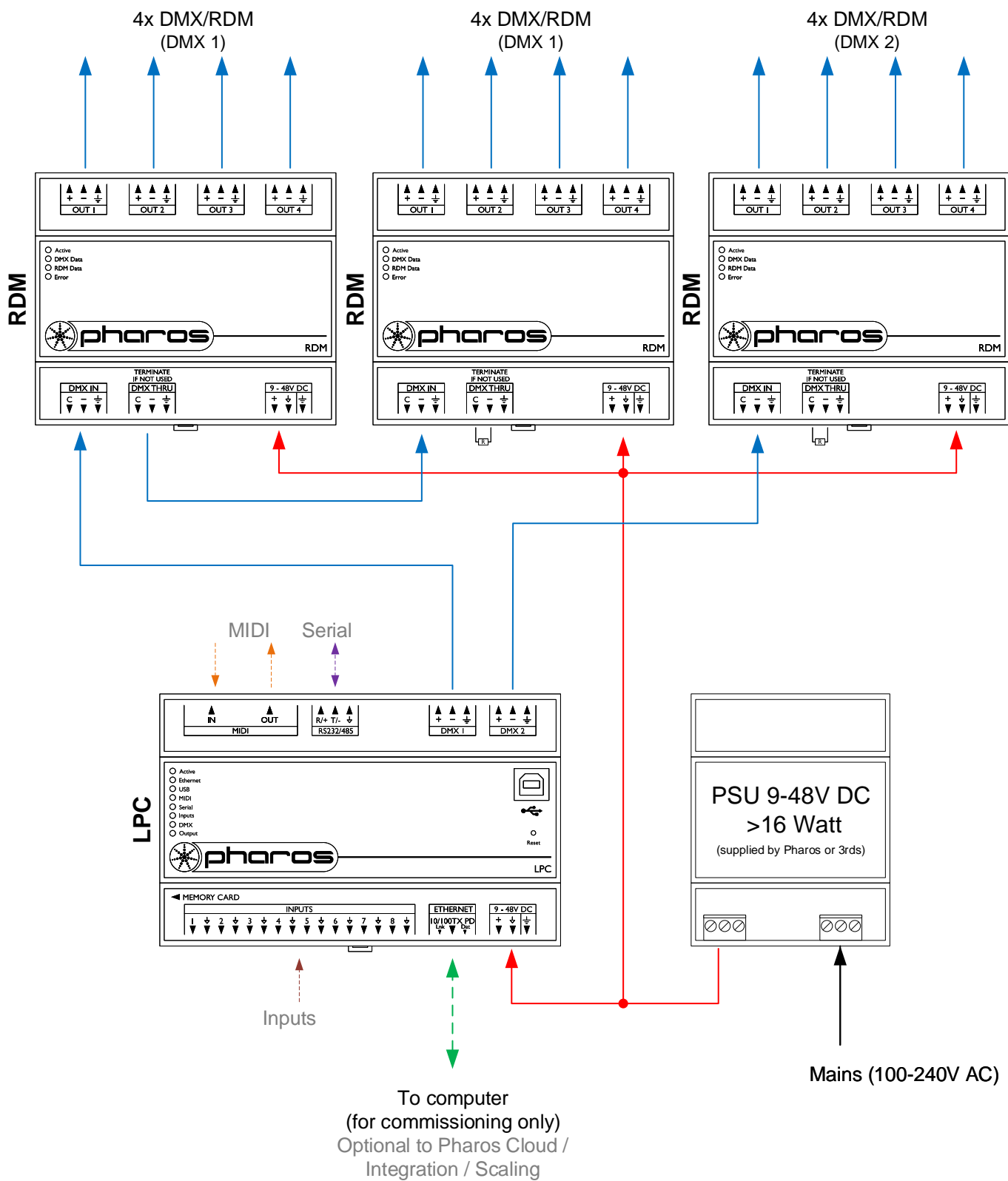
Type:	LPC 1	LPC 2
DMX 1	≤ 512 channels	≤ 512 channels
DMX 2	Clone to DMX1	≤ 512 channels
Total	≤ 512 channels	≤ 1,024 channels



- Consult the **Installation Guide** for technical details
- See **General Notes.pdf** for information on cabling types
- **More configurations** are possible to fulfil any project
- Contact your supplier or visit our website for support

 pharoscontrols.com	Reference: 1103	Name: LPC - 2x RDM (DC power)	
	Size: A4	Date: 27/09/2017	Rev: V 1.0
	Page:	Notes: Setup	Notes: Minor adjustments
		Notes: Minor adjustments	Notes: Minor adjustments

Type:	<b>LPC 1</b>	<b>LPC 2</b>
DMX 1	≤ 512 channels	≤ 512 channels
DMX 2	Clone to DMX1	≤ 512 channels
Total	≤ 512 channels	≤ 1,024 channels



- Consult the **Installation Guide** for technical details
- See **General Notes.pdf** for information on cabling types
- **More configurations** are possible to fulfil any project
- Contact your supplier or visit our website for support



pharoscontrols.com

Reference:  
1104

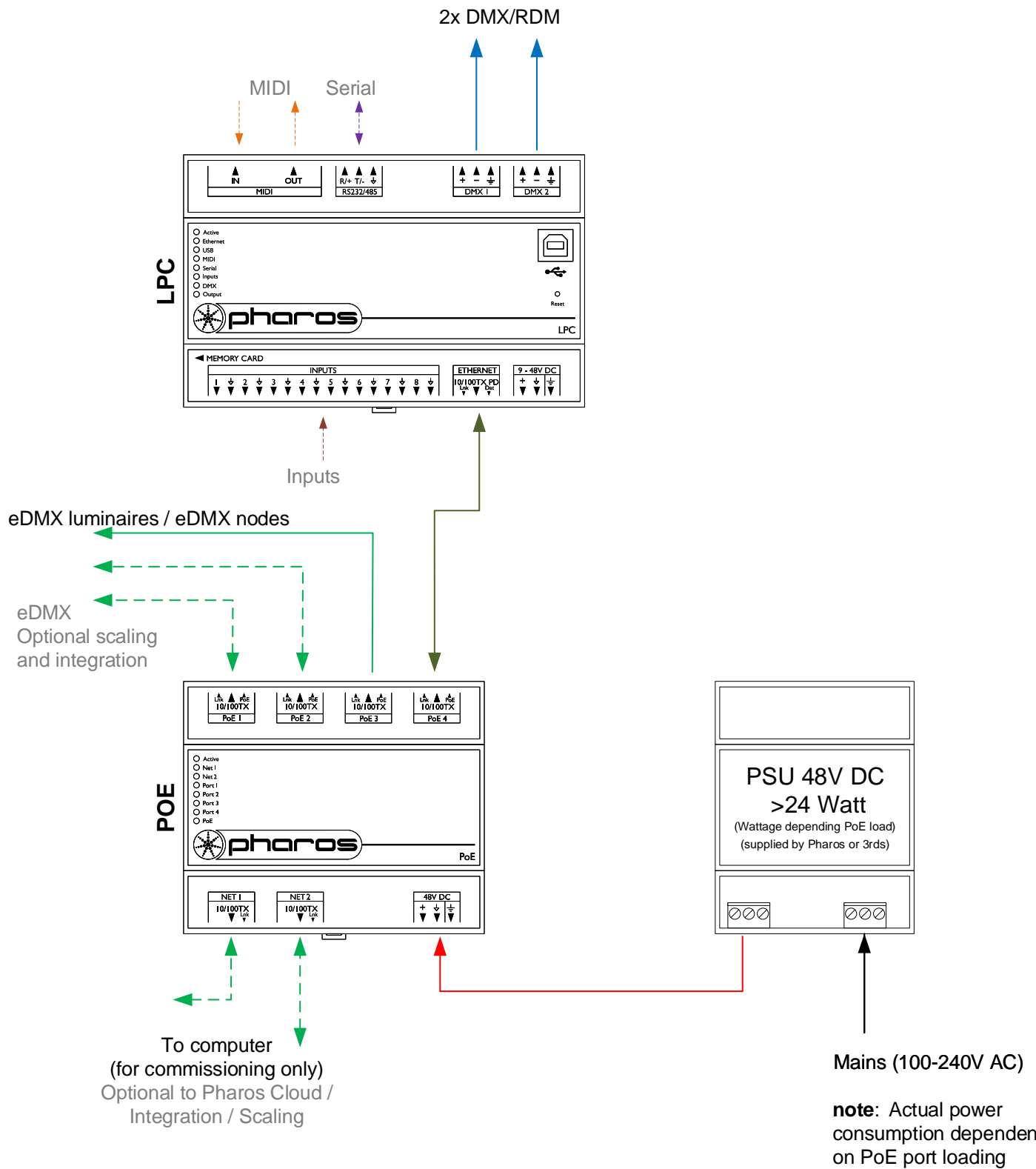
Size:  
A4

Page:


Name:  
LPC - 3x RDM (DC power)

Date:	Rev:	Notes:
27/09/2017	V 1.0	Setup
17/09/2018	V 1.1	Minor adjustments
21/01/2019	V 1.2	Minor adjustments
27/05/2021	V 1.3	Minor adjustments

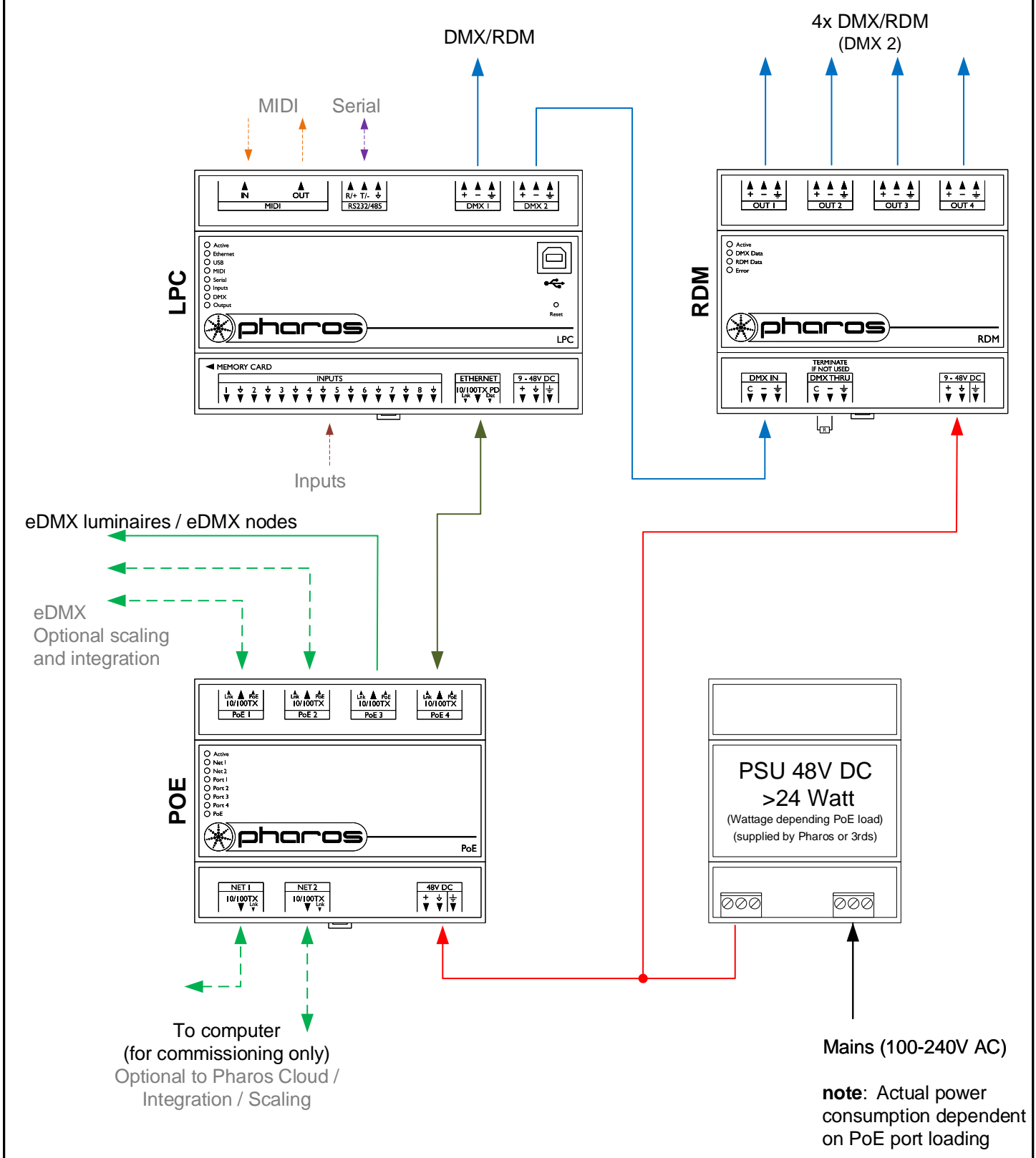
Type:	LPC 1	LPC 2	LPC 4
DMX 1	≤ 512 channels	≤ 512 channels	≤ 512 channels
DMX 2	Clone to DMX1	≤ 512 channels	≤ 512 channels
eDMX	≤ 512 channels	≤ 1,024 channels	≤ 2,048 channels
<b>Total</b>	<b>≤ 512 channels</b>	<b>≤ 1,024 channels</b>	<b>≤ 2,048 channels</b>




- Consult the **Installation Guide** for technical details
- See **General Notes.pdf** for information on cabling types
- **More configurations** are possible to fulfil any project
- Contact your supplier or visit our website for support

 pharoscontrols.com	Reference: 1105	Name: LPC - PoE	
	Size: A4	Date: 27/09/2017	Rev: V 1.0
	Page:	Notes: Setup	
		17/09/2018	V 1.1
		21/01/2019	V 1.2
		27/05/2021	V 1.3

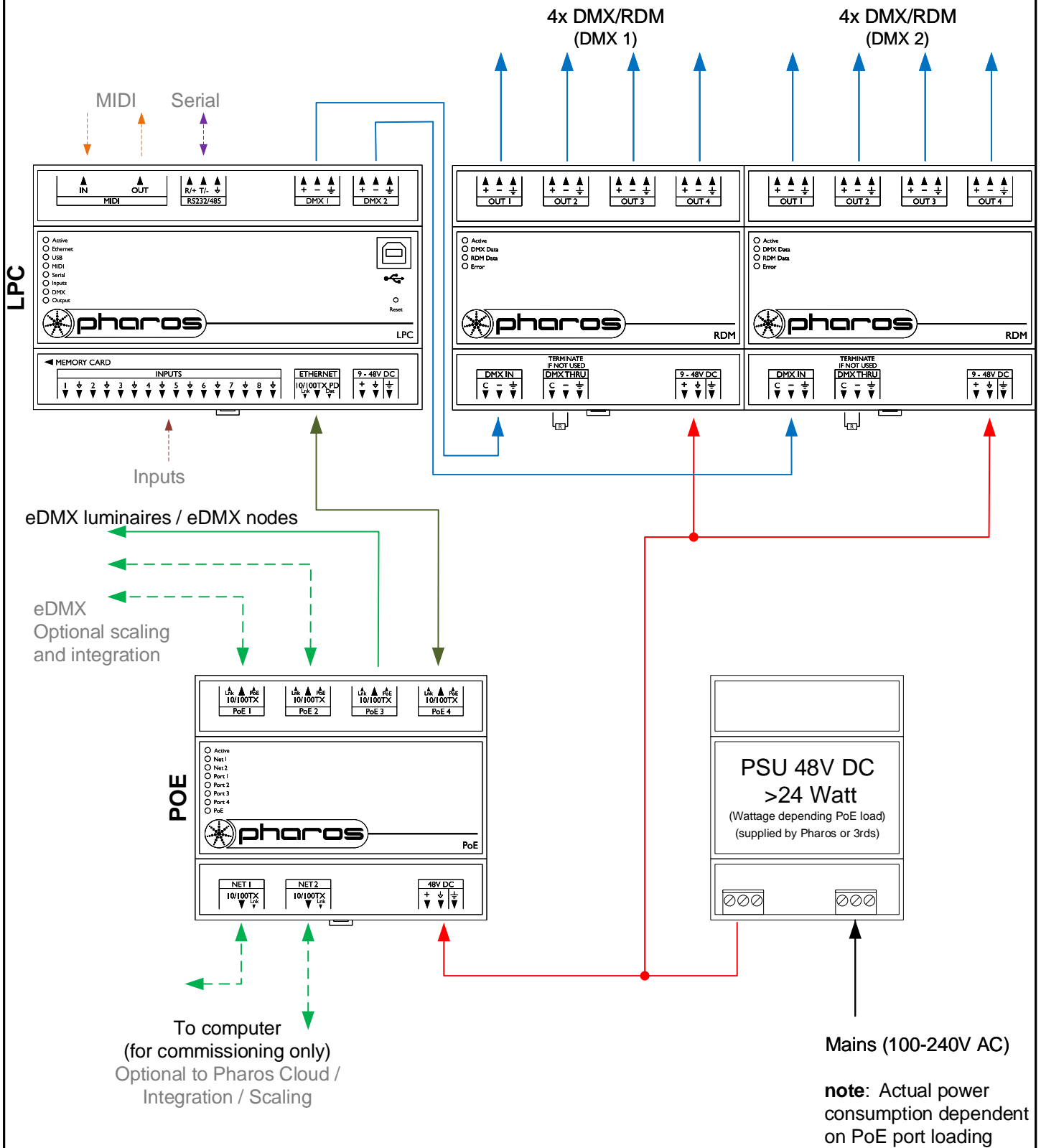
Type:	LPC 1	LPC 2	LPC 4
DMX 1	≤ 512 channels	≤ 512 channels	≤ 512 channels
DMX 2	Clone to DMX1	≤ 512 channels	≤ 512 channels
eDMX	≤ 512 channels	≤ 1,024 channels	≤ 2,048 channels
<b>Total</b>	<b>≤ 512 channels</b>	<b>≤ 1,024 channels</b>	<b>≤ 2,048 channels</b>




- Consult the **Installation Guide** for technical details
- See **General Notes.pdf** for information on cabling types
- **More configurations** are possible to fulfil any project
- Contact your supplier or visit our website for support

 pharoscontrols.com	Reference: 1106	Name: LPC - PoE - RDM	
	Size: A4	Date: 27/09/2017	Rev: V 1.0
	Page:	Notes: Setup	
		17/09/2018	V 1.1
		21/01/2019	V 1.2
		27/05/2021	V 1.3

Type:	LPC 1	LPC 2	LPC 4
DMX 1	≤ 512 channels	≤ 512 channels	≤ 512 channels
DMX 2	Clone to DMX1	≤ 512 channels	≤ 512 channels
eDMX	≤ 512 channels	≤ 1,024 channels	≤ 2,048 channels
<b>Total</b>	<b>≤ 512 channels</b>	<b>≤ 1,024 channels</b>	<b>≤ 2,048 channels</b>

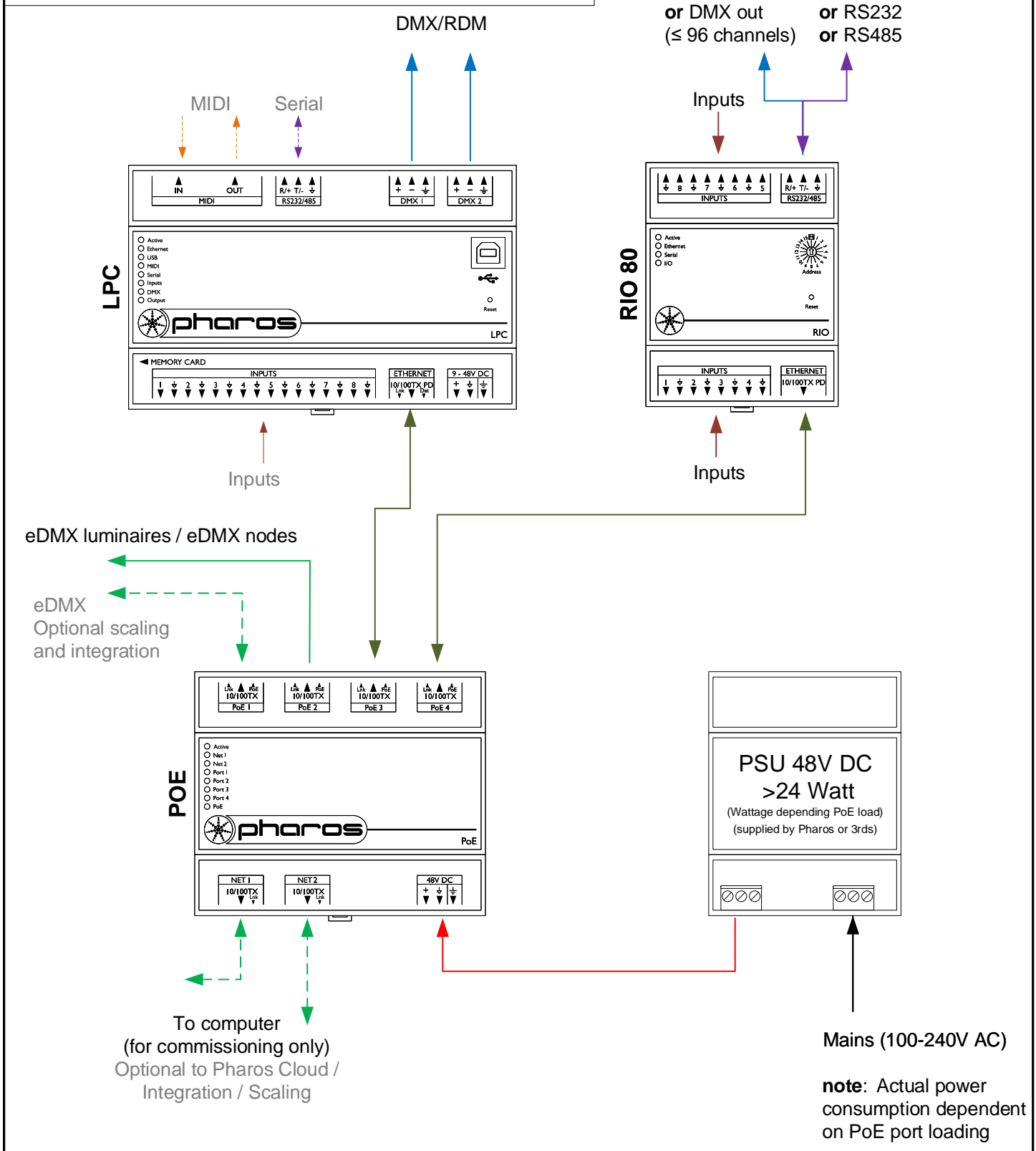


- Consult the **Installation Guide** for technical details
- See **General Notes.pdf** for information on cabling types
- **More configurations** are possible to fulfil any project
- Contact your supplier or visit our website for support


 pharoscontrols.com	Reference: 1107	Name: LPC - POE - 2xRDM	
	Size: A4	Date: 27/09/2017	Rev: V 1.0
	Page:	Notes: Setup	
		17/09/2018	V 1.1
		21/01/2019	V 1.2
		27/05/2021	V 1.3

Type:	LPC 1	LPC 2	LPC 4
DMX 1	≤ 512 channels	≤ 512 channels	≤ 512 channels
DMX 2	Clone to DMX1	≤ 512 channels	≤ 512 channels
eDMX	≤ 512 channels	≤ 1,024 channels	≤ 2,048 channels
RIO DMX	≤ 96 channels	≤ 96 channels	≤ 96 channels
<b>Total</b>	<b>≤ 512 channels</b>	<b>≤ 1,024 channels</b>	<b>≤ 2,048 channels</b>

Type:	Inputs	Outputs	Serial Port
RIO 80	8	0	Yes
RIO 44	4	4	Yes
RIO 08	0	8	Yes



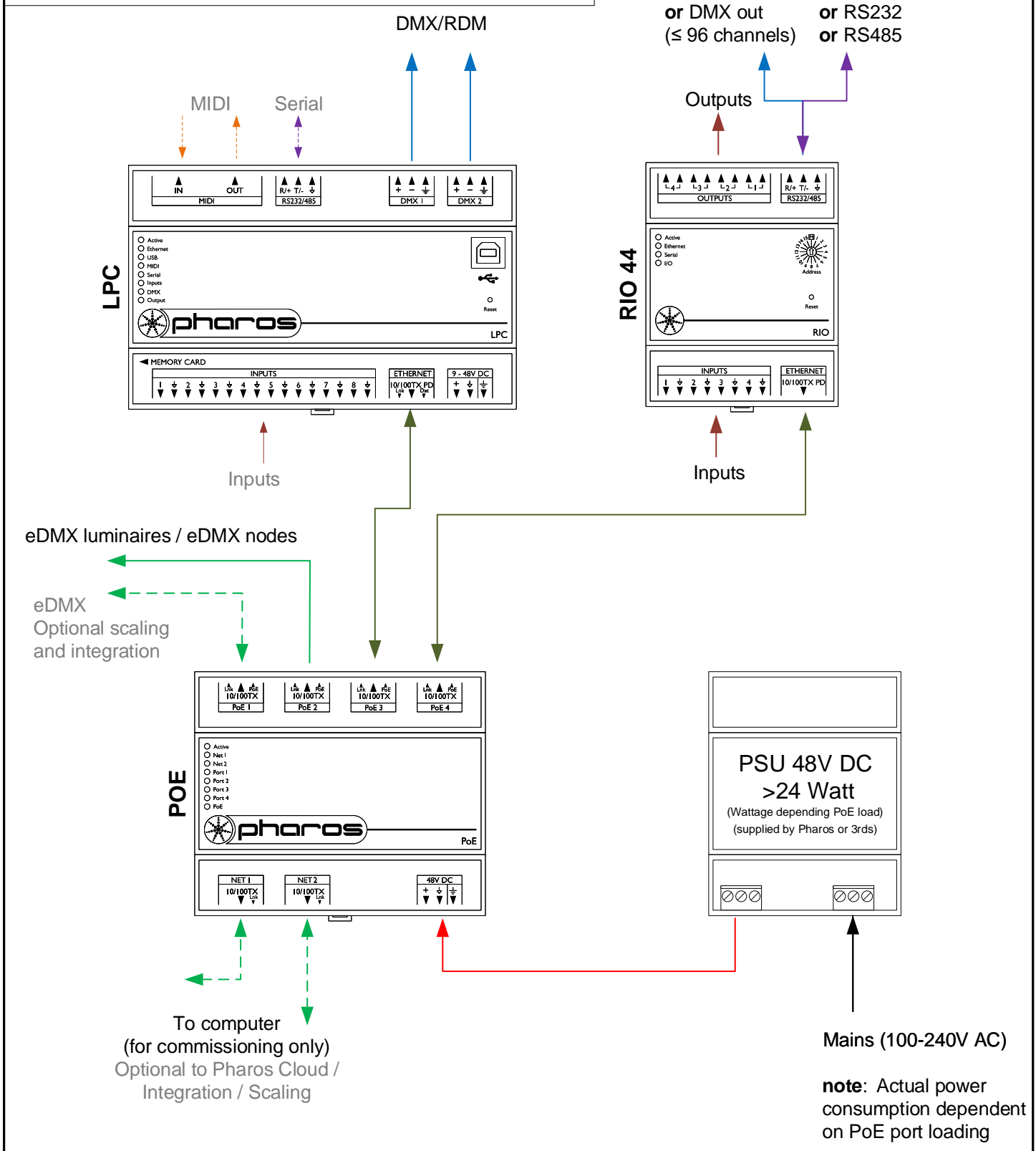
- Consult the **Installation Guide** for technical details
- See **General Notes.pdf** for information on cabling types
- **More configurations** are possible to fulfil any project
- Contact your supplier or visit our website for support

 pharoscontrols.com	Reference: 1108	Name: LPC - RIO 80	
	Size: A4	Date: 27/09/2017	Rev: V 1.0
	Page:	Notes: Setup	Notes: Minor adjustments
		21/01/2019	V 1.2
		27/05/2021	V 1.3




Type:	LPC 1	LPC 2	LPC 4
DMX 1	≤ 512 channels	≤ 512 channels	≤ 512 channels
DMX 2	Clone to DMX1	≤ 512 channels	≤ 512 channels
eDMX	≤ 512 channels	≤ 1,024 channels	≤ 2,048 channels
RIO DMX	≤ 96 channels	≤ 96 channels	≤ 96 channels
<b>Total</b>	<b>≤ 512 channels</b>	<b>≤ 1,024 channels</b>	<b>≤ 2,048 channels</b>

Type:	Inputs	Outputs	Serial Port
RIO 80	8	0	Yes
RIO 44	4	4	Yes
RIO 08	0	8	Yes

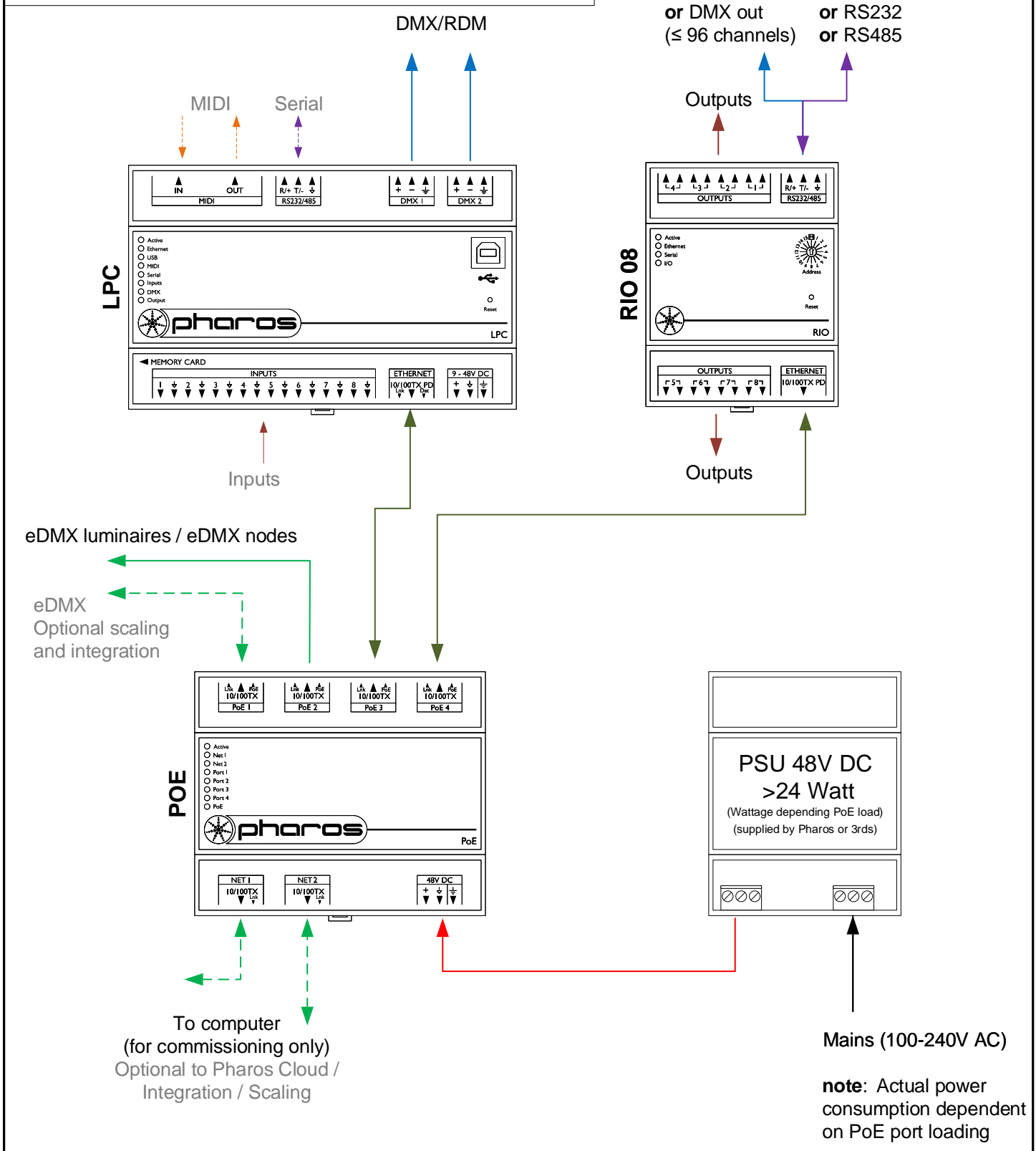


- Consult the **Installation Guide** for technical details
- See **General Notes.pdf** for information on cabling types
- **More configurations** are possible to fulfil any project
- Contact your supplier or visit our website for support


 pharoscontrols.com	Reference: 1109	Name: LPC - RIO 44		
	Size: A4	Date: 27/09/2017	Rev: V 1.0	
	Page:	Notes: Setup		
		17/09/2018 V 1.1	Minor adjustments	
		21/01/2019 V 1.2	Minor adjustments	
		27/05/2021 V 1.3	Minor adjustments	

Type:	LPC 1	LPC 2	LPC 4
DMX 1	≤ 512 channels	≤ 512 channels	≤ 512 channels
DMX 2	Clone to DMX1	≤ 512 channels	≤ 512 channels
eDMX	≤ 512 channels	≤ 1,024 channels	≤ 2,048 channels
RIO DMX	≤ 96 channels	≤ 96 channels	≤ 96 channels
<b>Total</b>	<b>≤ 512 channels</b>	<b>≤ 1,024 channels</b>	<b>≤ 2,048 channels</b>

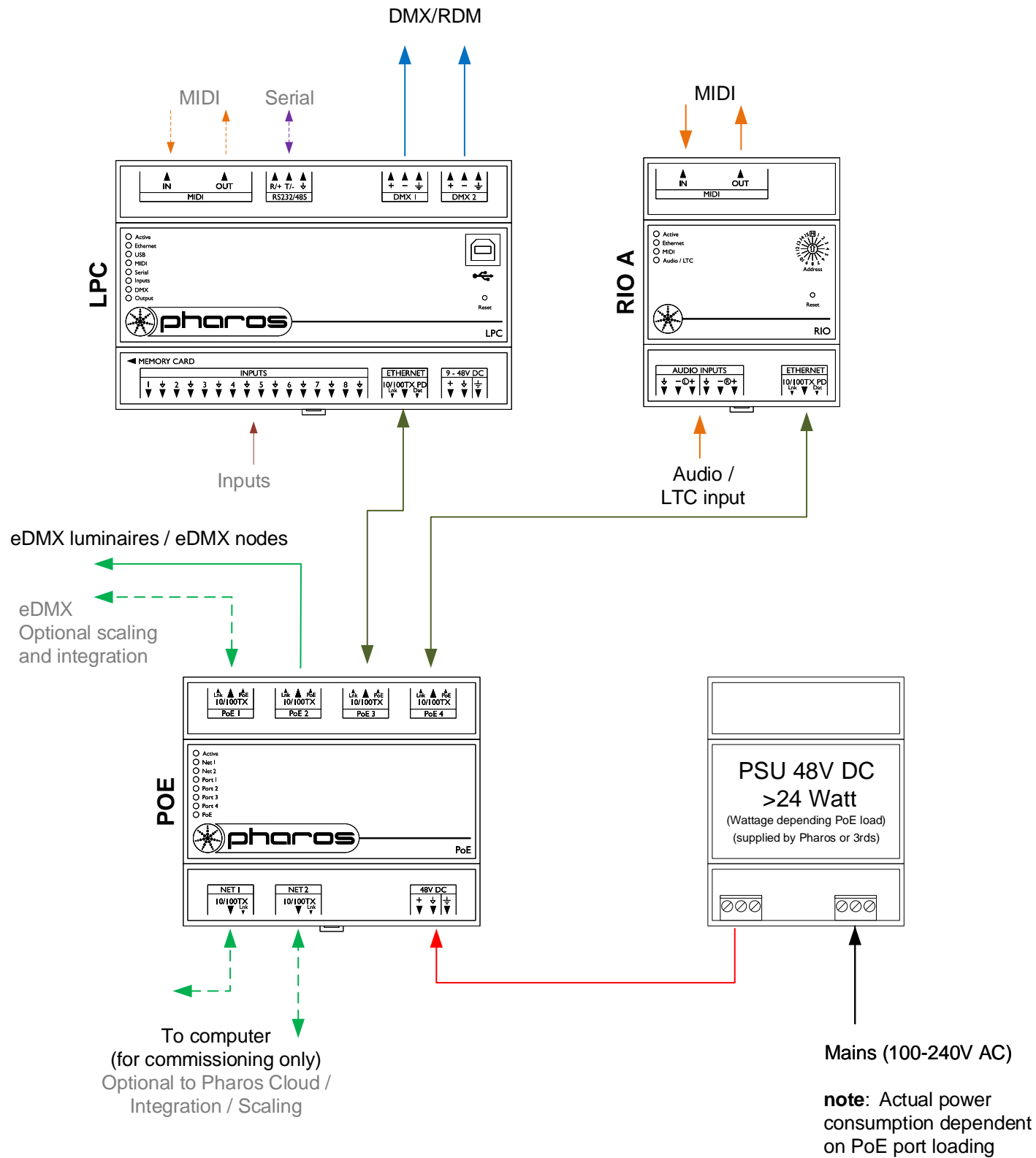
Type:	Inputs	Outputs	Serial Port
RIO 80	8	0	Yes
RIO 44	4	4	Yes
RIO 08	0	8	Yes




- Consult the **Installation Guide** for technical details
- See **General Notes.pdf** for information on cabling types
- **More configurations** are possible to fulfil any project
- Contact your supplier or visit our website for support

 pharoscontrols.com	Reference: 1110	Name: LPC - RIO 08		
	Size: A4	Date: 27/09/2017	Rev: V 1.0	
	Page:	17/09/2018	V 1.1	Notes: Setup
		21/01/2019	V 1.2	Minor adjustments
	27/05/2021	V 1.3	Minor adjustments	

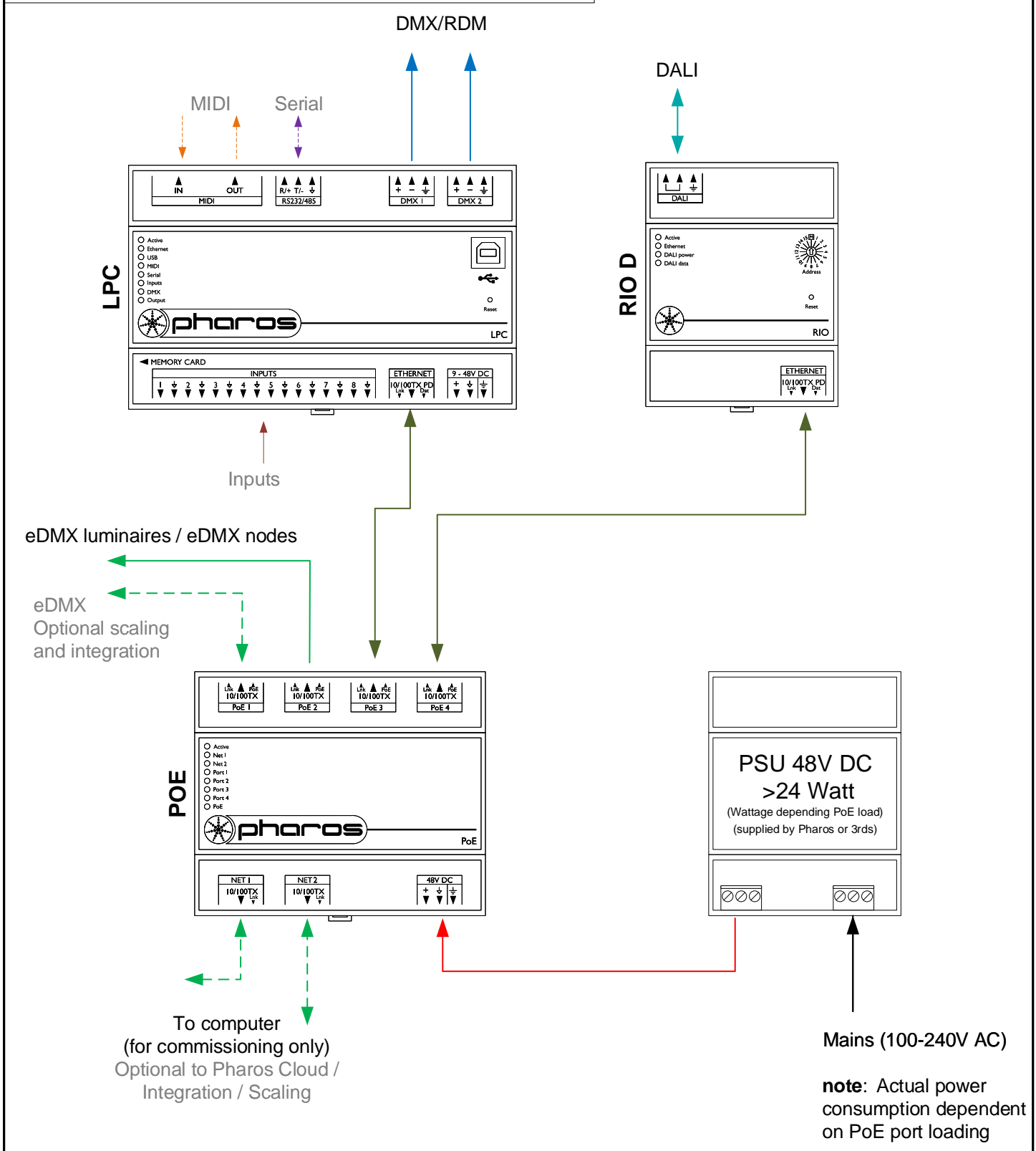
Type:	LPC 1	LPC 2	LPC 4
DMX 1	≤ 512 channels	≤ 512 channels	≤ 512 channels
DMX 2	Clone to DMX1	≤ 512 channels	≤ 512 channels
eDMX	≤ 512 channels	≤ 1,024 channels	≤ 2,048 channels
<b>Total</b>	<b>≤ 512 channels</b>	<b>≤ 1,024 channels</b>	<b>≤ 2,048 channels</b>




- Consult the **Installation Guide** for technical details
- See **General Notes.pdf** for information on cabling types
- **More configurations** are possible to fulfil any project
- Contact your supplier or visit our website for support

 pharoscontrols.com	Reference: 1111	Name: LPC - RIO A		
	Size: A4	Date: 27/09/2017	Rev: V 1.0	
	Page:	Notes: Setup		
		Minor adjustments		
	21/01/2019	V 1.2	Minor adjustments	
	27/05/2021	V 1.3	Minor adjustments	

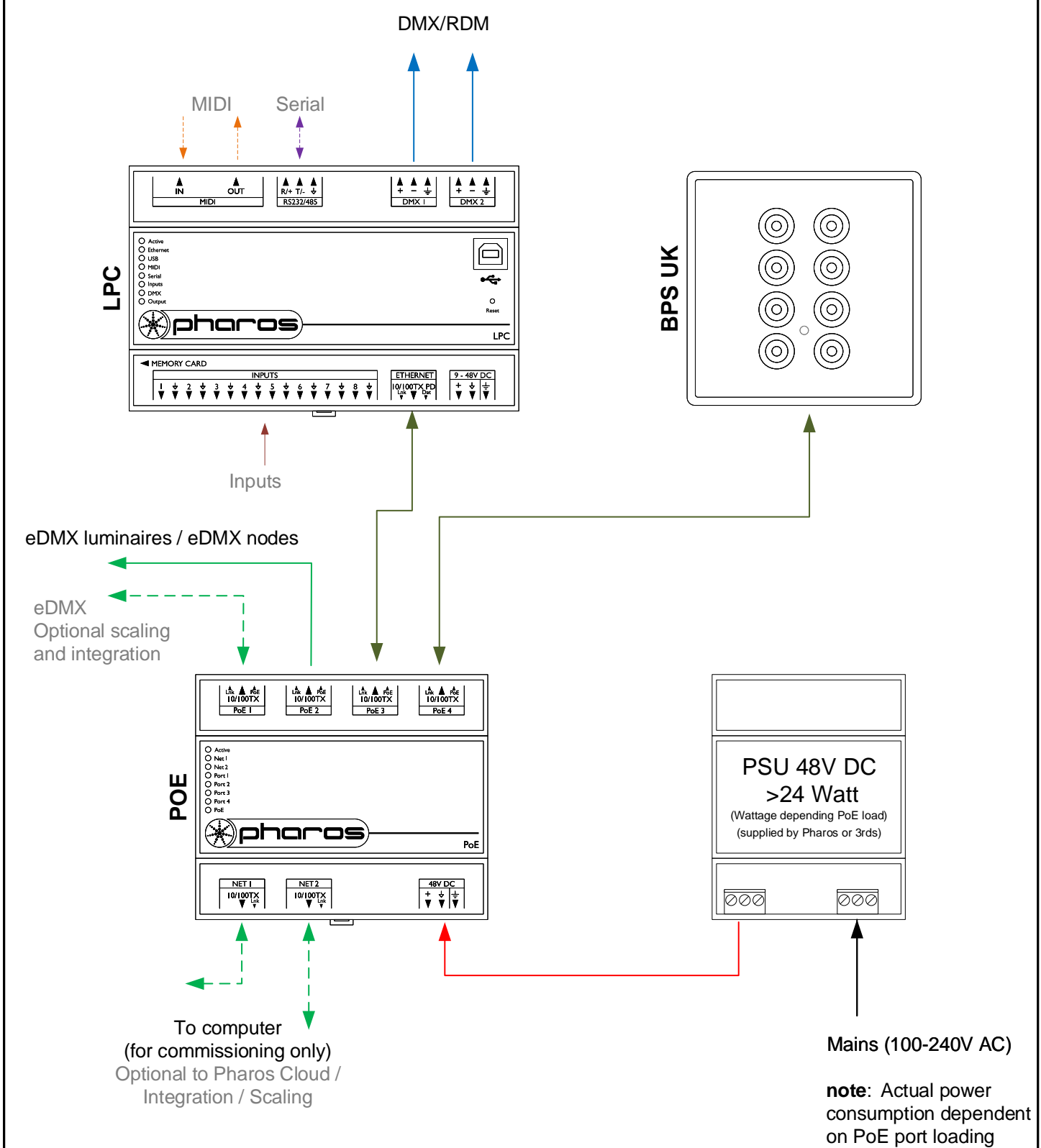
<b>Type:</b>	<b>LPC 1</b>	<b>LPC 2</b>	<b>LPC 4</b>
DMX 1	≤ 512 channels	≤ 512 channels	≤ 512 channels
DMX 2	Clone to DMX1	≤ 512 channels	≤ 512 channels
eDMX	≤ 512 channels	≤ 1,024 channels	≤ 2,048 channels
<b>Total</b>	<b>≤ 512 channels</b>	<b>≤ 1,024 channels</b>	<b>≤ 2,048 channels</b>
<b>DALI</b>	<b>1 DALI bus (max 64 devices)</b>		




- Consult the **Installation Guide** for technical details
- See **General Notes.pdf** for information on cabling types
- **More configurations** are possible to fulfil any project
- Contact your supplier or visit our website for support

 pharoscontrols.com	Reference: 1112	Name: LPC - RIO D		
	Size: A4	Date: 27/09/2017	Rev: V 1.0	
	Page:	Notes: Setup		
		Notes: Minor adjustments		
	21/01/2019	V 1.2	Minor adjustments	
	27/05/2021	V 1.3	Minor adjustments	

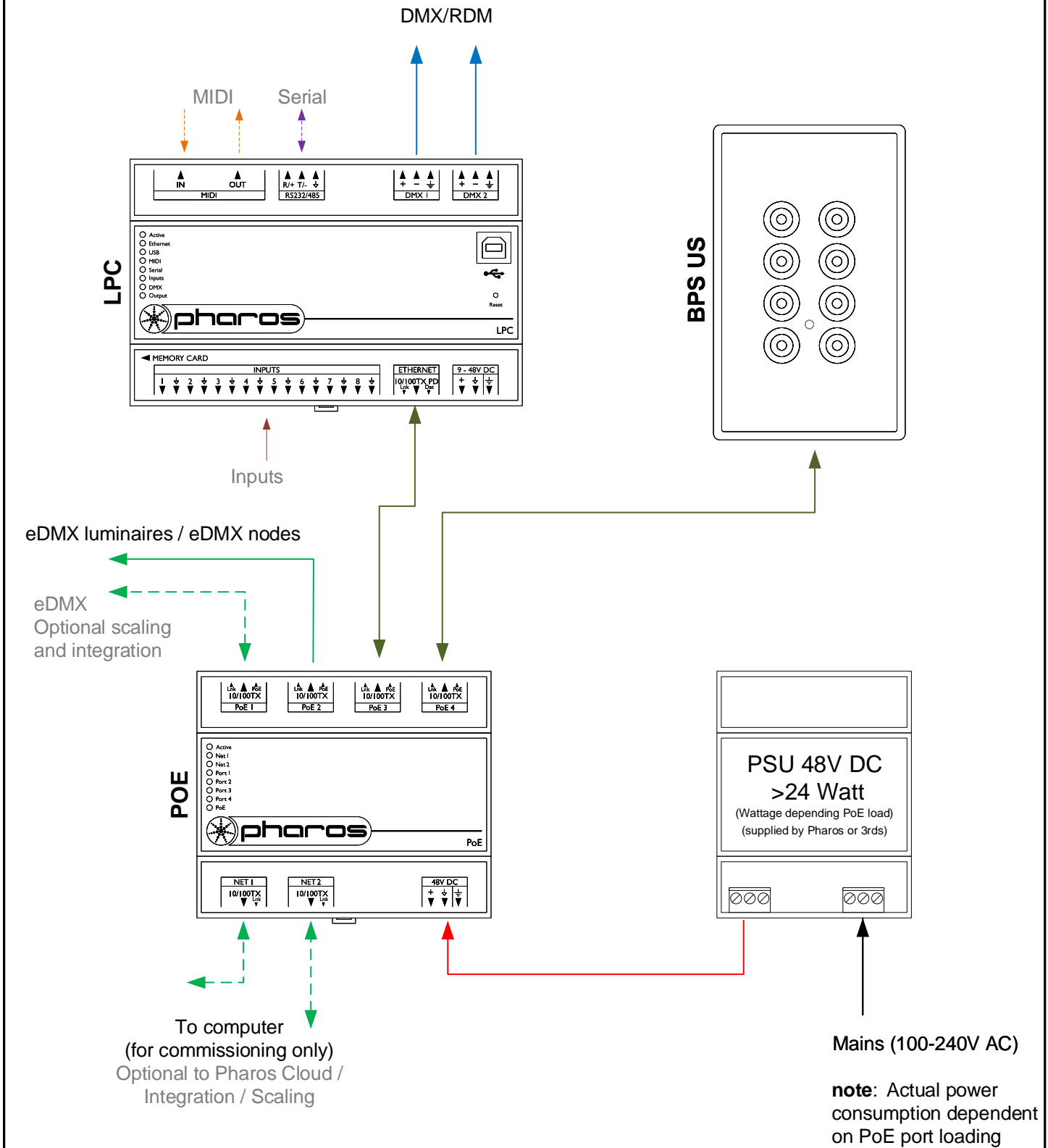
Type:	LPC 1	LPC 2	LPC 4
DMX 1	≤ 512 channels	≤ 512 channels	≤ 512 channels
DMX 2	Clone to DMX1	≤ 512 channels	≤ 512 channels
eDMX	≤ 512 channels	≤ 1,024 channels	≤ 2,048 channels
<b>Total</b>	<b>≤ 512 channels</b>	<b>≤ 1,024 channels</b>	<b>≤ 2,048 channels</b>




- Consult the **Installation Guide** for technical details
- See **General Notes.pdf** for information on cabling types
- **More configurations** are possible to fulfil any project
- Contact your supplier or visit our website for support

 pharoscontrols.com	Reference: 1113	Name: LPC - BPS UK	
	Size: A4	Date: 27/09/2017	Rev: V 1.0
	Page:	Notes: Setup	
		17/09/2018	V 1.1
		21/01/2019	V 1.2
		27/05/2021	V 1.3

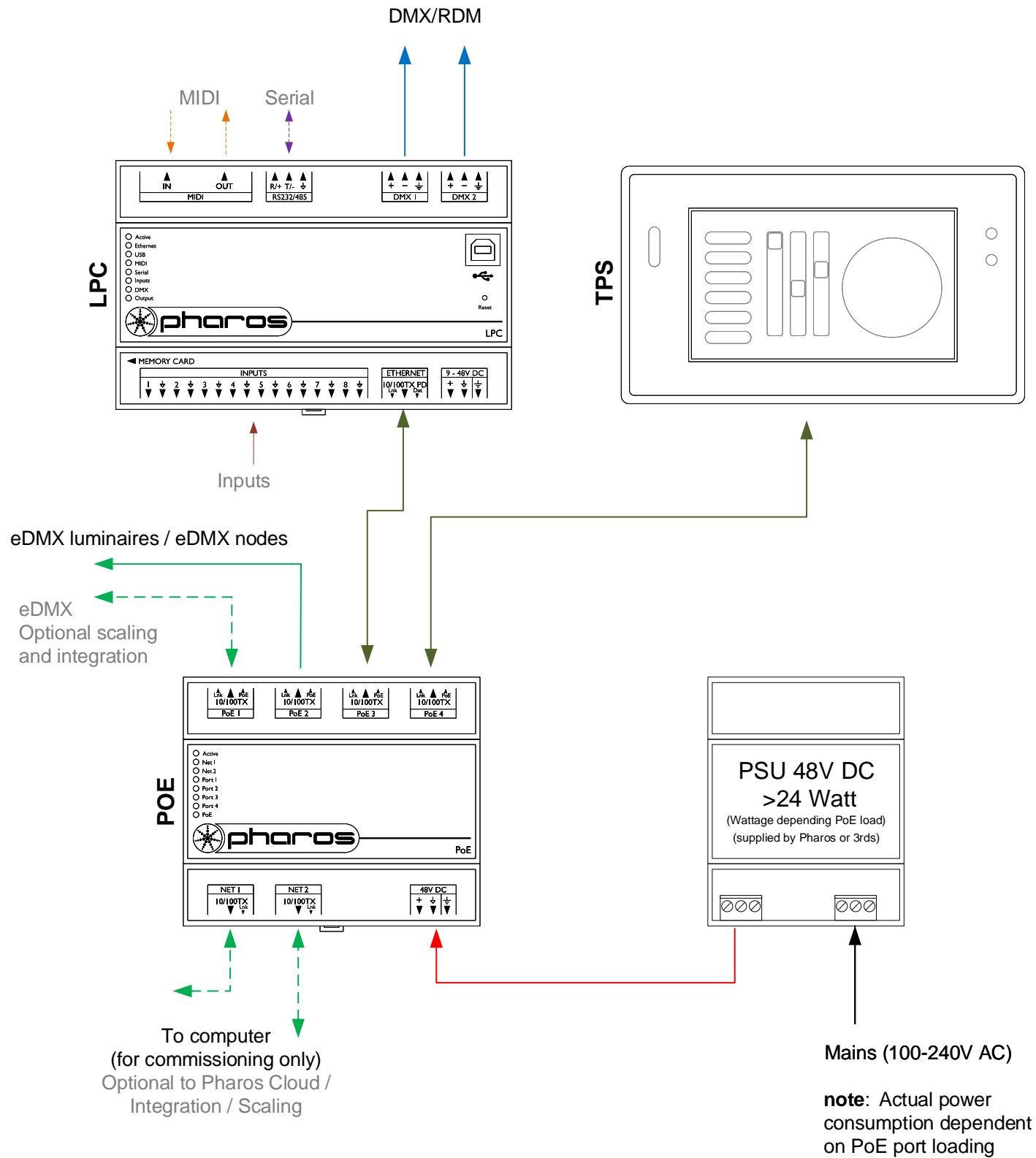
Type:	LPC 1	LPC 2	LPC 4
DMX 1	≤ 512 channels	≤ 512 channels	≤ 512 channels
DMX 2	Clone to DMX1	≤ 512 channels	≤ 512 channels
eDMX	≤ 512 channels	≤ 1,024 channels	≤ 2,048 channels
<b>Total</b>	<b>≤ 512 channels</b>	<b>≤ 1,024 channels</b>	<b>≤ 2,048 channels</b>




- Consult the **Installation Guide** for technical details
- See **General Notes.pdf** for information on cabling types
- **More configurations** are possible to fulfil any project
- Contact your supplier or visit our website for support

 pharoscontrols.com	Reference: 1114	Name: LPC - BPS US	
	Size: A4	Date: 27/09/2017	Rev: V 1.0
	Page:	Notes: Setup	Notes: Minor adjustments
		21/01/2019	V 1.2
		27/05/2021	V 1.3

Type:	LPC 1	LPC 2	LPC 4
DMX 1	≤ 512 channels	≤ 512 channels	≤ 512 channels
DMX 2	Clone to DMX1	≤ 512 channels	≤ 512 channels
eDMX	≤ 512 channels	≤ 1,024 channels	≤ 2,048 channels
<b>Total</b>	<b>≤ 512 channels</b>	<b>≤ 1,024 channels</b>	<b>≤ 2,048 channels</b>



- Consult the **Installation Guide** for technical details
- See **General Notes.pdf** for information on cabling types
- **More configurations** are possible to fulfil any project
- Contact your supplier or visit our website for support

 pharoscontrols.com	Reference: 1115	Name: LPC - TPS	
	Size: A4	Date: 27/09/2017	Rev: V 1.0
	Page:	Notes: Setup	
		17/09/2018	V 1.1
		21/01/2019	V 1.2
		27/05/2021	V 1.3