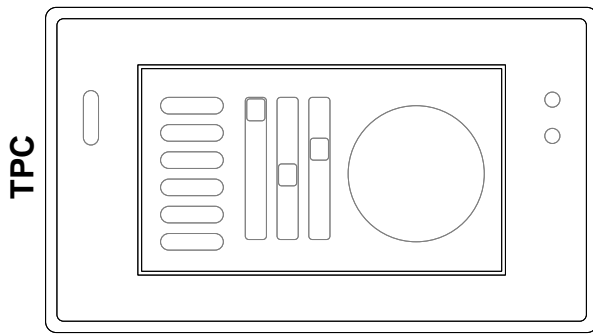
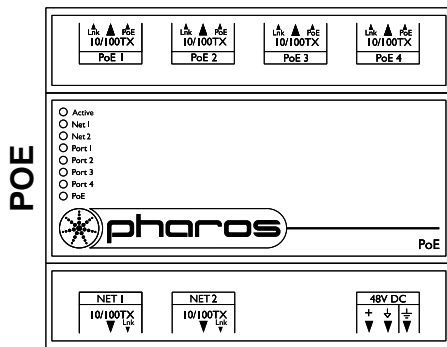


<b>Type:</b>	<b>TPC</b>
<b>DMX</b>	(via eDMX to DMX nodes or EXT)
<b>eDMX</b>	≤ 512 channels
<b>Total</b>	≤ 512 channels

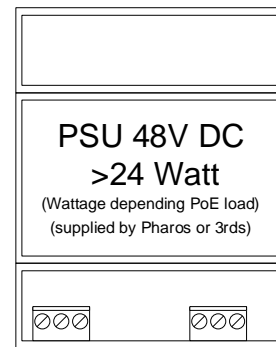


eDMX luminaires / eDMX nodes

eDMX /  
Optional scaling  
and integration



To computer  
(for commissioning only)  
Optional to Pharos Cloud /  
Integration / Scaling



Mains (100-240V AC)

**note:** Actual power  
consumption dependent  
on PoE port loading

- Consult the **Installation Guide** for technical details
- See **General Notes.pdf** for information on cabling types
- **More configurations** are possible to fulfil any project
- Contact your supplier or visit our website for support



pharoscontrols.com

Reference:  
1201

Name:  
TPC

Size:  
A4

Date:      Rev:      Notes:

27/09/2017   V 1.0   Setup

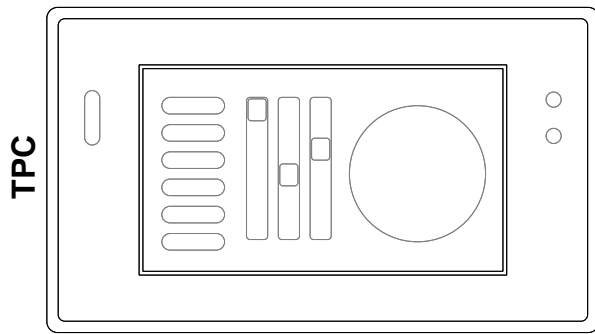
17/09/2018   V 1.1   Minor adjustments

11/01/2019   V 1.2   Minor adjustments

27/05/2021   V 1.3   Minor adjustments

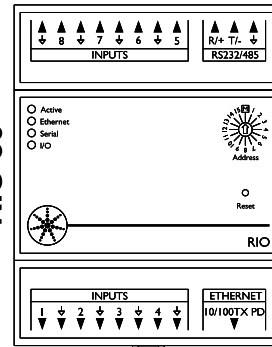
<b>Type:</b>	<b>TPC</b>
DMX	(via eDMX to DMX nodes or EXT)
eDMX	≤ 512 channels
RIO DMX	≤ 96 channels
<b>Total</b>	<b>≤ 512 channels</b>

<b>Type:</b>	<b>Inputs</b>	<b>Outputs</b>	<b>Serial Port</b>
RIO 80	8	0	Yes
RIO 44	4	4	Yes
RIO 08	0	8	Yes



or DMX out  
(≤ 96 channels)      or RS232  
or RS485

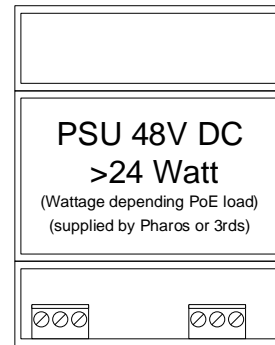
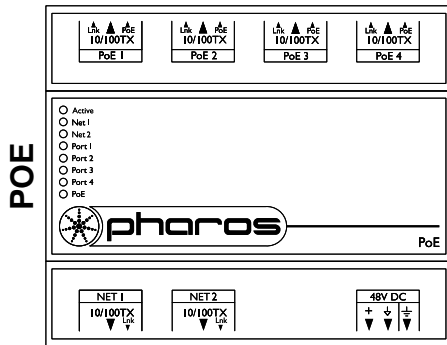
Inputs



Inputs

eDMX luminaires / eDMX nodes

eDMX /  
Scaling and  
integration



To computer  
(for commissioning only)  
Optional to Pharos Cloud /  
Integration / Scaling

Mains (100-240V AC)

**note:** Actual power  
consumption dependent  
on PoE port loading

- Consult the **Installation Guide** for technical details
- See **General Notes.pdf** for information on cabling types
- **More configurations** are possible to fulfil any project
- Contact your supplier or visit our website for support



pharoscontrols.com

Reference:  
1202

Size:  
A4

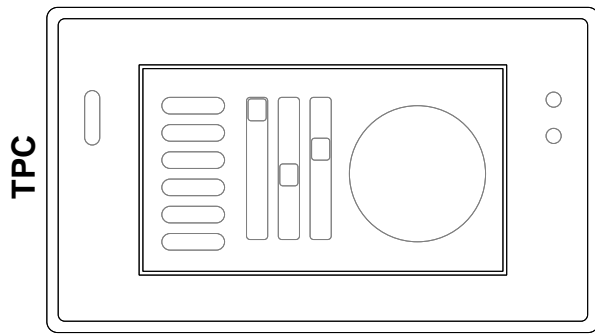
Page:

Name:  
TPC - RIO 80

Date:	Rev:	Notes:
27/09/2017	V 1.0	Setup
17/09/2018	V 1.1	Minor adjustments
11/01/2019	V 1.2	Minor adjustments
27/05/2021	V 1.3	Minor adjustments

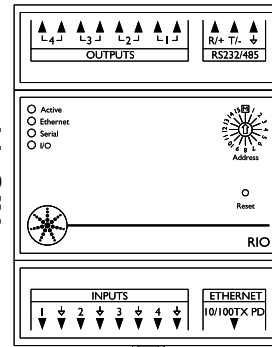
<b>Type:</b>	<b>TPC</b>
DMX	(via eDMX to DMX nodes or EXT)
eDMX	≤ 512 channels
RIO DMX	≤ 96 channels
<b>Total</b>	<b>≤ 512 channels</b>

<b>Type:</b>	<b>Inputs</b>	<b>Outputs</b>	<b>Serial Port</b>
RIO 80	8	0	Yes
RIO 44	4	4	Yes
RIO 08	0	8	Yes



or DMX out  
(≤ 96 channels)      or RS232  
or RS485

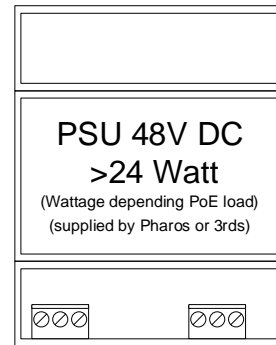
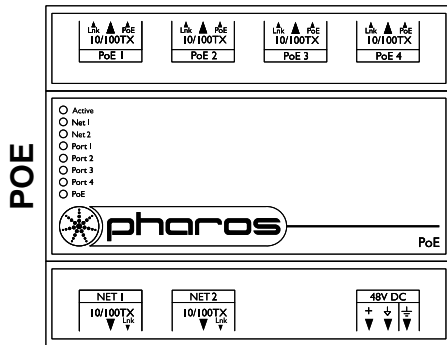
Outputs



Inputs

eDMX luminaires / eDMX nodes

eDMX /  
Scaling and  
integration



To computer  
(for commissioning only)  
Optional to Pharos Cloud /  
Integration / Scaling

Mains (100-240V AC)

**note:** Actual power  
consumption dependent  
on PoE loading

- Consult the **Installation Guide** for technical details
- See **General Notes.pdf** for information on cabling types
- **More configurations** are possible to fulfil any project
- Contact your supplier or visit our website for support



pharoscontrols.com

Reference:  
1203

Size:  
A4

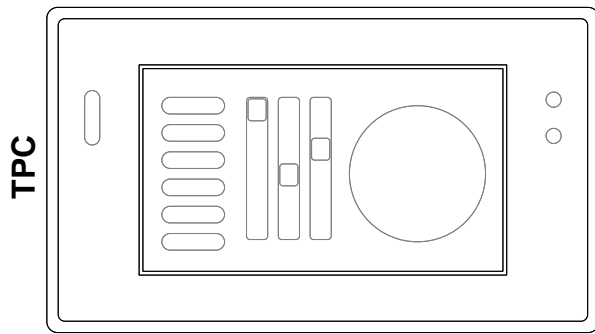
Page:

Name:  
TPC - RIO 44

Date:	Rev:	Notes:
27/09/2017	V 1.0	Setup
17/09/2018	V 1.1	Minor adjustments
11/01/2019	V 1.2	Minor adjustments
27/05/2021	V 1.3	Minor adjustments

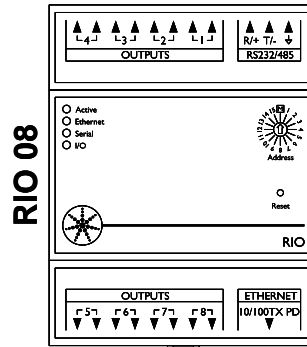
<b>Type:</b>	<b>TPC</b>
DMX	(via eDMX to DMX nodes or EXT)
eDMX	≤ 512 channels
RIO DMX	≤ 96 channels
<b>Total</b>	<b>≤ 512 channels</b>

<b>Type:</b>	<b>Inputs</b>	<b>Outputs</b>	<b>Serial Port</b>
RIO 80	8	0	Yes
RIO 44	4	4	Yes
RIO 08	0	8	Yes



or DMX out  
(≤ 96 channels)      or RS232  
or RS485

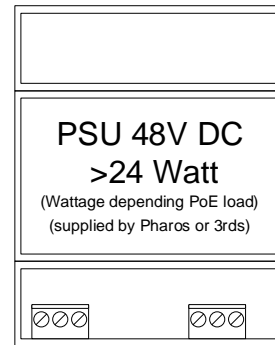
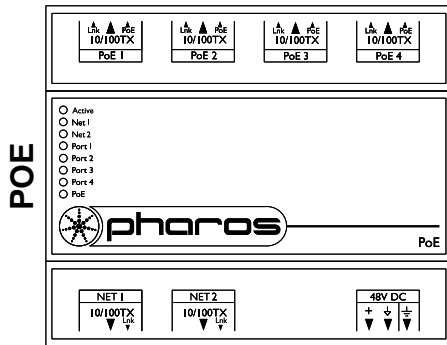
Outputs



Outputs

eDMX luminaires / eDMX nodes

eDMX /  
Scaling and  
integration



To computer  
(for commissioning only)  
Optional to Pharos Cloud /  
Integration / Scaling

Mains (100-240V AC)

**note:** Actual power  
consumption dependent  
on PoE port loading

- Consult the **Installation Guide** for technical details
- See **General Notes.pdf** for information on cabling types
- **More configurations** are possible to fulfil any project
- Contact your supplier or visit our website for support



pharoscontrols.com

Reference:  
1204

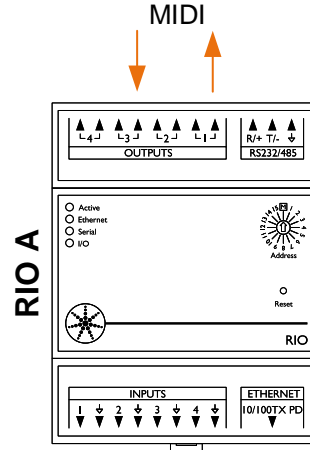
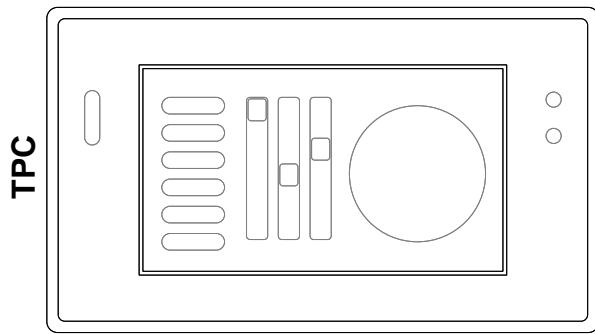
Size:  
A4

Page:

Name:  
TPC - RIO 08

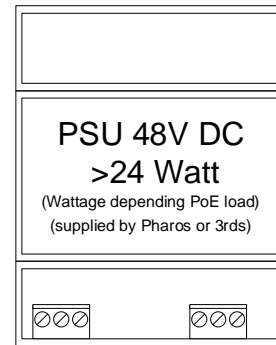
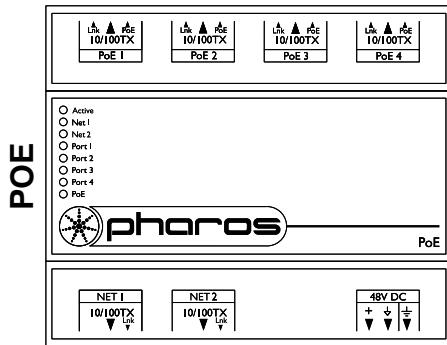
Date:	Rev:	Notes:
27/09/2017	V 1.0	Setup
17/09/2018	V 1.1	Minor adjustments
11/01/2019	V 1.2	Minor adjustments
27/05/2021	V 1.3	Minor adjustments

**Type:** TPC  
**DMX** (via eDMX to DMX nodes or EXT)  
**eDMX** ≤ 512 channels  
**Total** ≤ 512 channels



eDMX luminaires / eDMX nodes

eDMX /  
Scaling and  
integration



To computer  
(for commissioning only)  
Optional to Pharos Cloud /  
Integration / Scaling

Mains (100-240V AC)

**note:** Actual power  
consumption dependent  
on PoE port loading

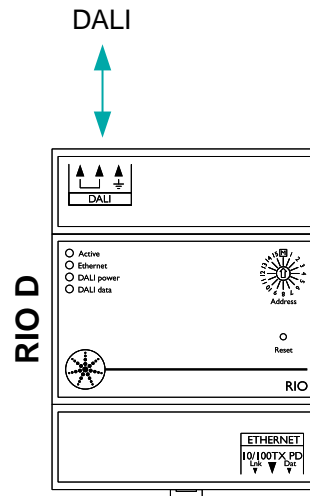
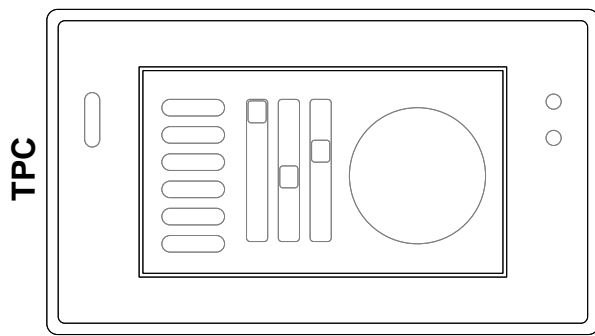
- Consult the **Installation Guide** for technical details
- See **General Notes.pdf** for information on cabling types
- **More configurations** are possible to fulfil any project
- Contact your supplier or visit our website for support



pharoscontrols.com

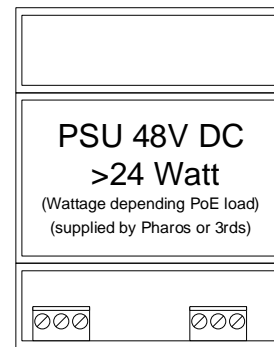
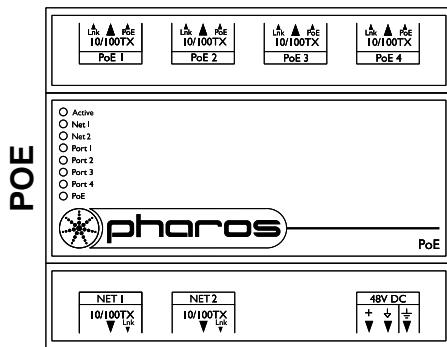
Reference: 1205	Name: TPC - RIO A		
Size: A4	Date: 27/09/2017	Rev: V 1.0	Notes: Setup
Page:	17/09/2018	V 1.1	Minor adjustments
	11/01/2019	V 1.2	Minor adjustments
	27/05/2021	V 1.3	Minor adjustments

**Type:** TPC  
**DMX** (via eDMX to DMX nodes or EXT)  
**eDMX** ≤ 512 channels  
**Total** ≤ 512 channels  
**DALI** 1 DALI bus (max 64 devices)



eDMX luminaires / eDMX nodes

eDMX /  
Scaling and  
integration



To computer  
(for commissioning only)  
Optional to Pharos Cloud /  
Integration / Scaling

Mains (100-240V AC)

**note:** Actual power  
consumption dependent  
on PoE loading

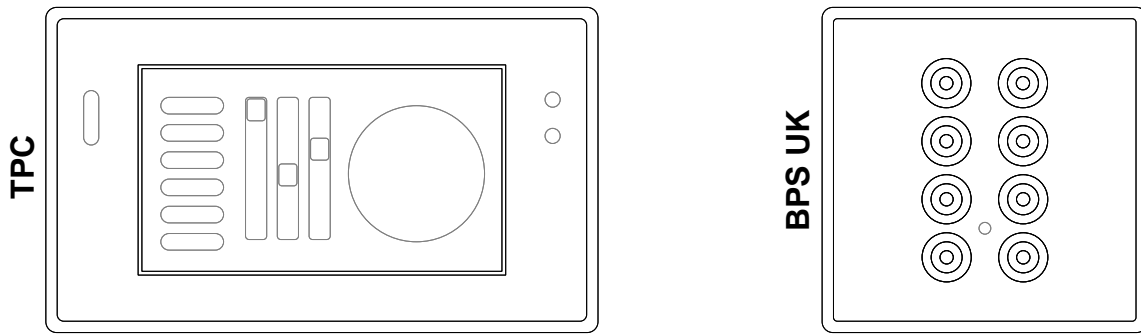
- Consult the **Installation Guide** for technical details
- See **General Notes.pdf** for information on cabling types
- **More configurations** are possible to fulfil any project
- Contact your supplier or visit our website for support



pharoscontrols.com

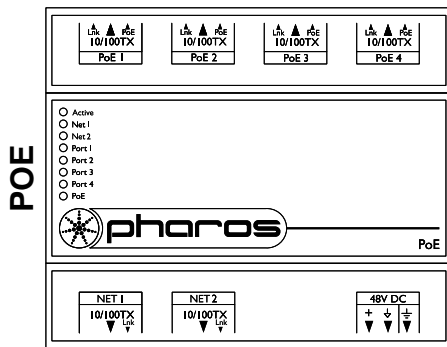
Reference: 1206	Name: TPC - RIO D		
Size: A4	Date: 27/09/2017	Rev: V 1.0	Notes: Setup
Page:	17/09/2018	V 1.1	Minor adjustments
	11/01/2019	V 1.2	Minor adjustments
	27/05/2021	V 1.3	Minor adjustments

**Type:** TPC  
**DMX** (via eDMX to DMX nodes or EXT)  
**eDMX** ≤ 512 channels  
**Total** ≤ 512 channels

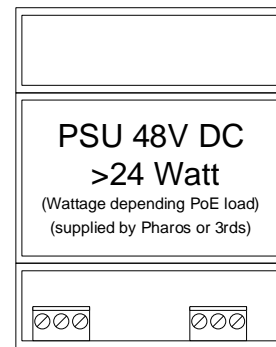


eDMX luminaires / eDMX nodes

eDMX /  
Scaling and  
integration



To computer  
(for commissioning only)  
Optional to Pharos Cloud /  
Integration / Scaling



Mains (100-240V AC)

**note:** Actual power  
consumption dependent  
on PoE port loading

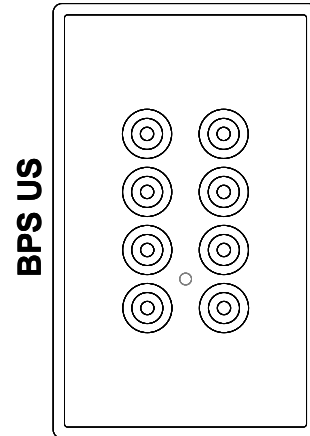
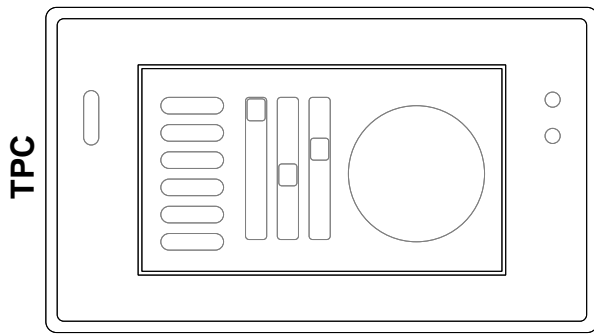
- Consult the **Installation Guide** for technical details
- See **General Notes.pdf** for information on cabling types
- **More configurations** are possible to fulfil any project
- Contact your supplier or visit our website for support



pharoscontrols.com

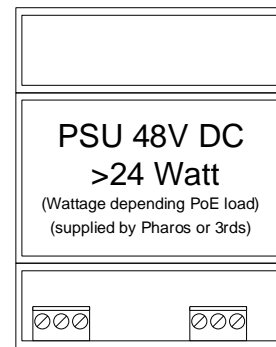
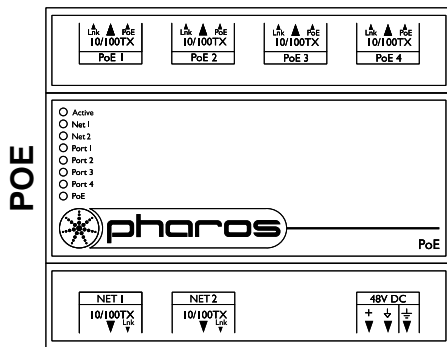
Reference: 1207	Name: TPC - BPS UK		
Size: A4	Date: 27/09/2017	Rev: V 1.0	Notes: Setup
Page:	17/09/2018	V 1.1	Minor adjustments
	11/01/2019	V 1.2	Minor adjustments
	27/05/2021	V 1.3	Minor adjustments

**Type:** TPC  
**DMX** (via eDMX to DMX nodes or EXT)  
**eDMX** ≤ 512 channels  
**Total** ≤ 512 channels



eDMX luminaires / eDMX nodes

eDMX /  
Scaling and  
integration



To computer  
(for commissioning only)  
Optional to Pharos Cloud /  
Integration / Scaling

Mains (100-240V AC)

**note:** Actual power  
consumption dependent  
on PoE port loading

- Consult the **Installation Guide** for technical details
- See **General Notes.pdf** for information on cabling types
- **More configurations** are possible to fulfil any project
- Contact your supplier or visit our website for support



pharoscontrols.com

Reference:  
1208

Size:  
A4

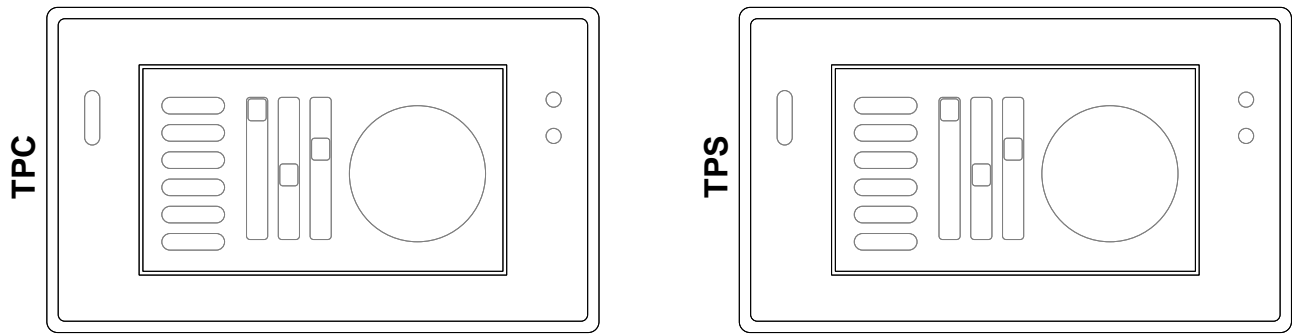
Page:

Name:  
TPC - BPS US

Date:	Rev:	Notes:
27/09/2017	V 1.0	Setup
17/09/2018	V 1.1	Minor adjustments
11/01/2019	V 1.2	Minor adjustments
27/05/2021	V 1.3	Minor adjustments

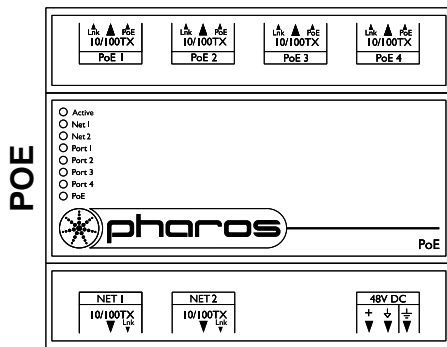


**Type:** TPC  
**DMX** (via eDMX to DMX nodes or EXT)  
**eDMX** ≤ 512 channels  
**Total** ≤ 512 channels

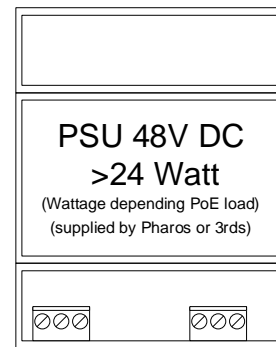


eDMX luminaires / eDMX nodes

eDMX /  
Scaling and  
integration



To computer  
(for commissioning only)  
Optional to Pharos Cloud /  
Integration / Scaling



Mains (100-240V AC)

**note:** Actual power  
consumption dependent  
on PoE port loading

- Consult the **Installation Guide** for technical details
- See **General Notes.pdf** for information on cabling types
- **More configurations** are possible to fulfil any project
- Contact your supplier or visit our website for support



pharoscontrols.com

Reference:  
1209

Size:  
A4

Page:

Name:  
TPC - TPS

Date:	Rev:	Notes:
27/09/2017	V 1.0	Setup
17/09/2018	V 1.1	Minor adjustments
11/01/2019	V 1.2	Minor adjustments
27/05/2021	V 1.3	Minor adjustments