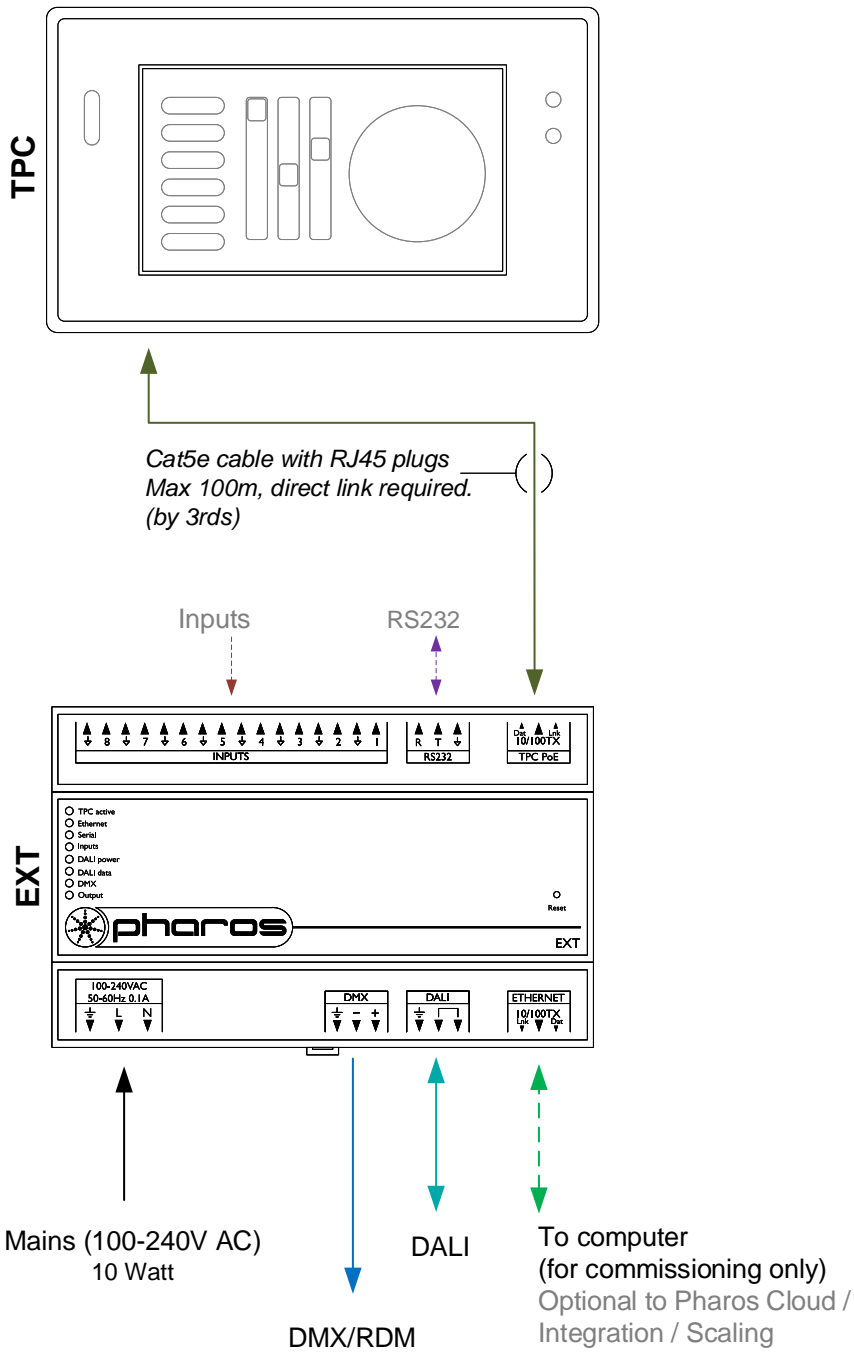


Type:	TPC + EXT
DMX	≤ 512 channels
eDMX	≤ 512 channels
Total	≤ 512 channels
DALI	1 DALI bus (max 64 devices)



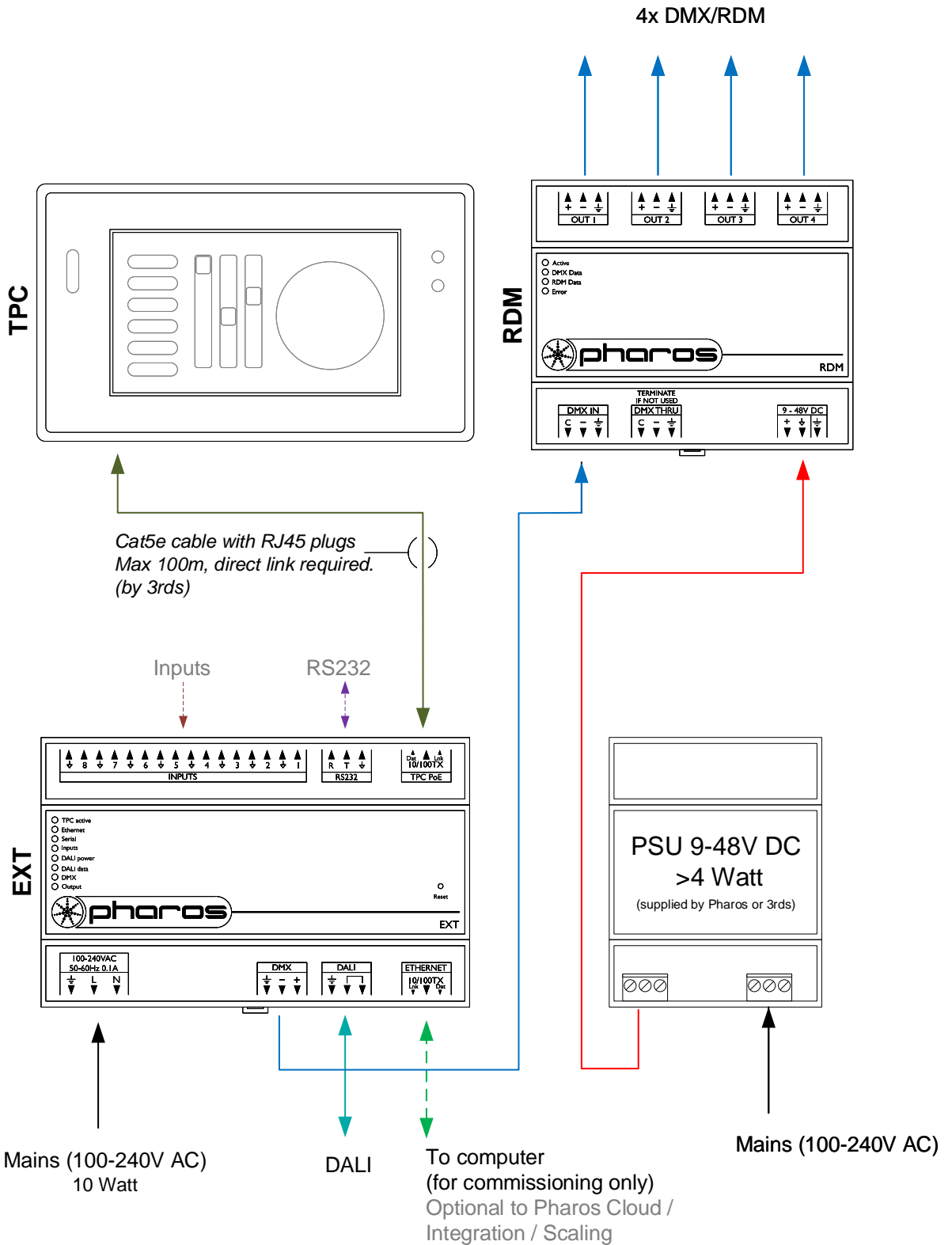
- Consult the **Installation Guide** for technical details
- See **General Notes.pdf** for information on cabling types
- **More configurations** are possible to fulfil any project
- Contact your supplier or visit our website for support



pharoscontrols.com

Reference: 1301	Name: TPC - EXT		
Size: A4	Date: 27/09/2017	Rev: V 1.0	Notes: Setup
Page:	17/09/2018	V 1.1	Minor adjustments
	21/01/2019	V 1.2	Minor adjustments
	27/05/2021	V 1.3	Minor adjustments

Type:	TPC + EXT
DMX	≤ 512 channels
eDMX	≤ 512 channels
Total	≤ 512 channels
DALI	1 DALI bus (max 64 devices)



- Consult the **Installation Guide** for technical details
- See **General Notes.pdf** for information on cabling types
- **More configurations** are possible to fulfil any project
- Contact your supplier or visit our website for support

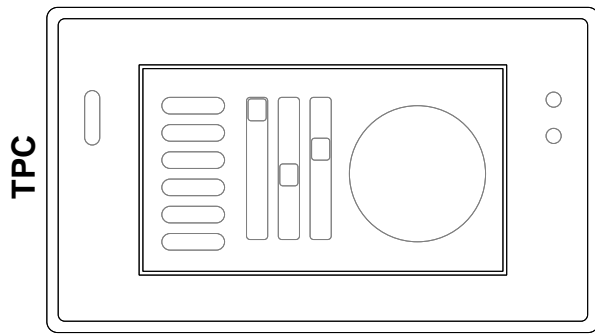


pharoscontrols.com

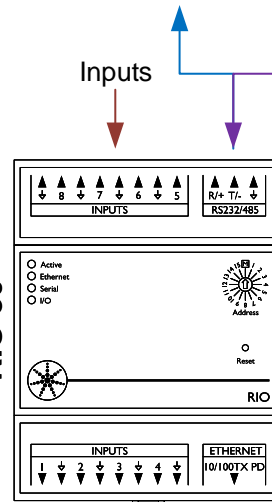
Reference:	1302		
Name:	TPC - EXT - RDM		
Size:	A4	Date:	Rev:
Page:		27/09/2017	V 1.0
		17/09/2018	V 1.1
		21/01/2019	V 1.2
		27/05/2021	V 1.3
			Notes:
			Setup
			Minor adjustments
			Minor adjustments
			Minor adjustments

Type:	TPC + EXT
DMX	≤ 512 channels
eDMX	≤ 512 channels
RIODMX	≤ 96 channels
Total	≤ 512 channels
DALI	1 DALI bus (max 64 devices)

Type:	Inputs	Outputs	Serial Port
RIO 80	8	0	Yes
RIO 44	4	4	Yes
RIO 08	0	8	Yes



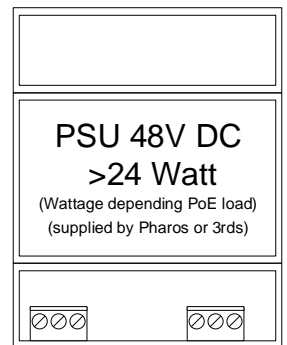
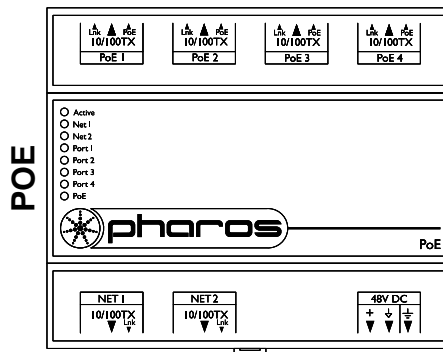
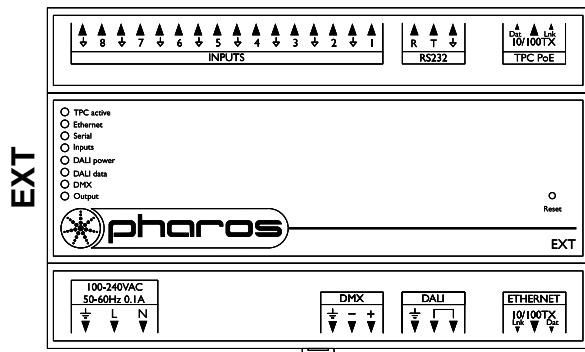
or DMX out (≤ 96 channels) or RS232 or RS485



Cat5e cable with RJ45 plugs
Max 100m, direct link required. (by 3rds)

Inputs RS232

eDMX /
Scaling and
integration



Mains (100-240V AC)
10 Watt

DALI

DMX/RDM

To computer
(for commissioning only)
Optional to Pharos Cloud /
Integration / Scaling

Mains (100-240V AC)

note: Actual power
consumption dependent
on PoE port loading

- Consult the **Installation Guide** for technical details
- See **General Notes.pdf** for information on cabling types
- **More configurations** are possible to fulfil any project
- Contact your supplier or visit our website for support



pharoscontrols.com

Reference:
1303

Name:
TPC - EXT - RIO 80

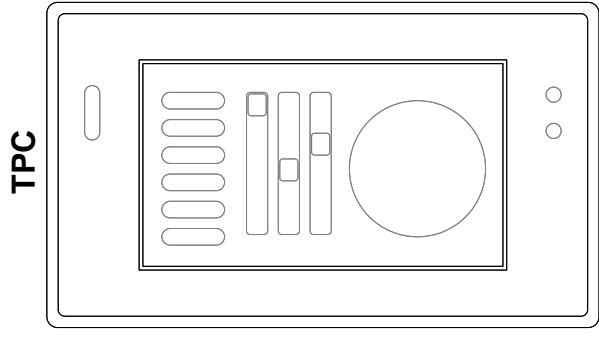
Size:
A4

Date: Rev: Notes:

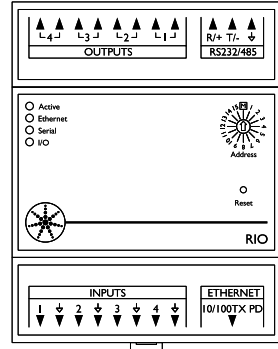
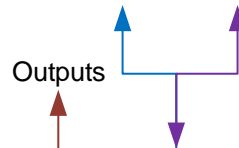
27/09/2017	V 1.0	Setup
17/09/2018	V 1.1	Minor adjustments
21/01/2019	V 1.2	Minor adjustments
27/05/2021	V 1.3	Minor adjustments

Type:	TPC + EXT
DMX	≤ 512 channels
eDMX	≤ 512 channels
RIODMX	≤ 96 channels
Total	≤ 512 channels
DALI	1 DALI bus (max 64 devices)

Type:	Inputs	Outputs	Serial Port
RIO 80	8	0	Yes
RIO 44	4	4	Yes
RIO 08	0	8	Yes

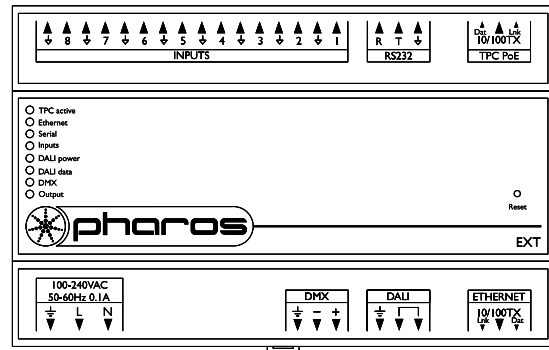


or DMX out (≤ 96 channels) or RS232 or RS485



Cat5e cable with RJ45 plugs
Max 100m, direct link required. (by 3rds)

Inputs RS232

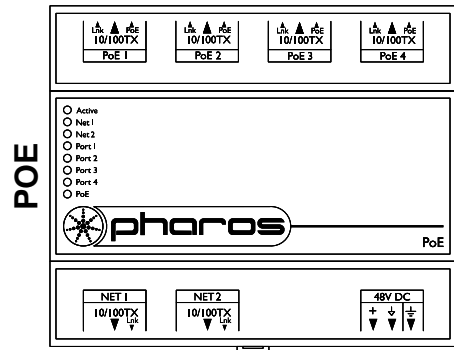


EXT

Mains (100-240V AC)
10 Watt

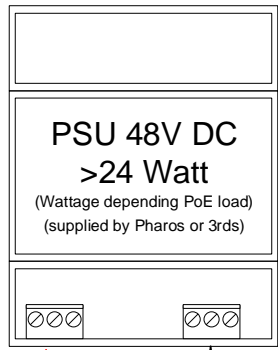
DMX/RDM

DALI



POE

To computer (for commissioning only)
Optional to Pharos Cloud / Integration / Scaling



PSU 48V DC
>24 Watt
(Wattage depending PoE load)
(supplied by Pharos or 3rds)

Mains (100-240V AC)

note: Actual power consumption dependent on PoE port loading

- Consult the **Installation Guide** for technical details
- See **General Notes.pdf** for information on cabling types
- **More configurations** are possible to fulfil any project
- Contact your supplier or visit our website for support

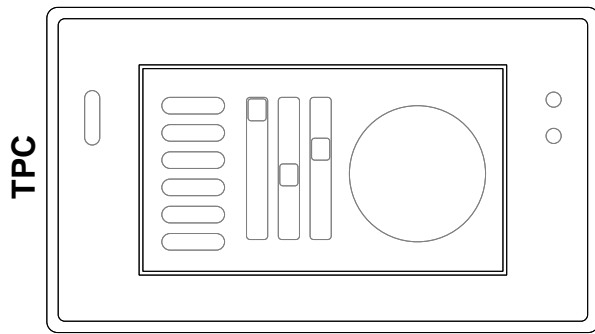


pharoscontrols.com

Reference: 1304	Name: TPC - EXT - RIO 44		
Size: A4	Date: 27/09/2017	Rev: V 1.0	Notes: Setup
Page:	17/09/2018	V 1.1	Minor adjustments
	21/01/2019	V 1.2	Minor adjustments
	27/05/2021	V 1.3	Minor adjustments

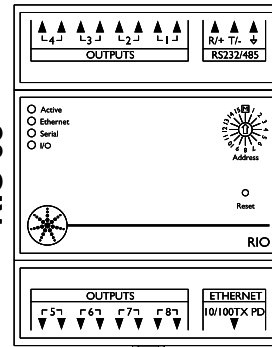
Type:	TPC + EXT
DMX	≤ 512 channels
eDMX	≤ 512 channels
RIODMX	≤ 96 channels
Total	≤ 512 channels
DALI	1 DALI bus (max 64 devices)

Type:	Inputs	Outputs	Serial Port
RIO 80	8	0	Yes
RIO 44	4	4	Yes
RIO 08	0	8	Yes



or DMX out
(≤ 96 channels) or RS232
or RS485

Outputs

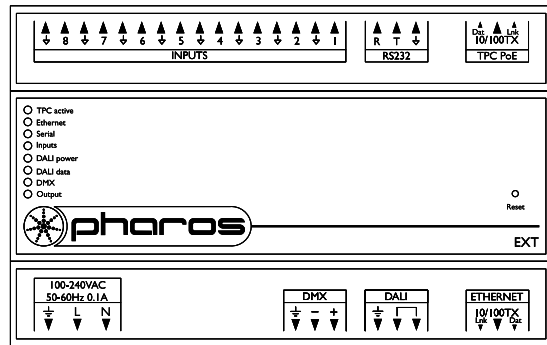


Outputs

Cat5e cable with RJ45 plugs
Max 100m, direct link required. (by 3rds)

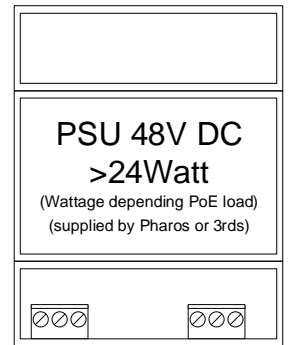
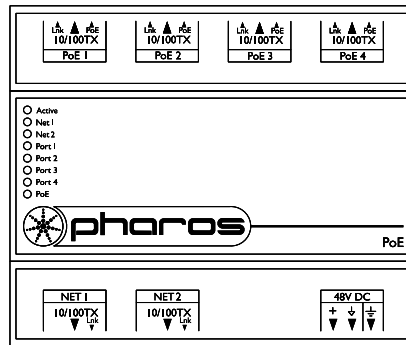
Inputs

RS232



EXT

POE



**PSU 48V DC
>24Watt**

(Wattage depending PoE load)
(supplied by Pharos or 3rds)

Mains (100-240V AC)
10 Watt

DALI

DMX/RDM

To computer
(for commissioning only)
Optional to Pharos Cloud /
Integration / Scaling

Mains (100-240V AC)

note: Actual power
consumption dependent
on PoE port loading

- Consult the **Installation Guide** for technical details
- See **General Notes.pdf** for information on cabling types
- **More configurations** are possible to fulfil any project
- Contact your supplier or visit our website for support



pharoscontrols.com

Reference:
1305

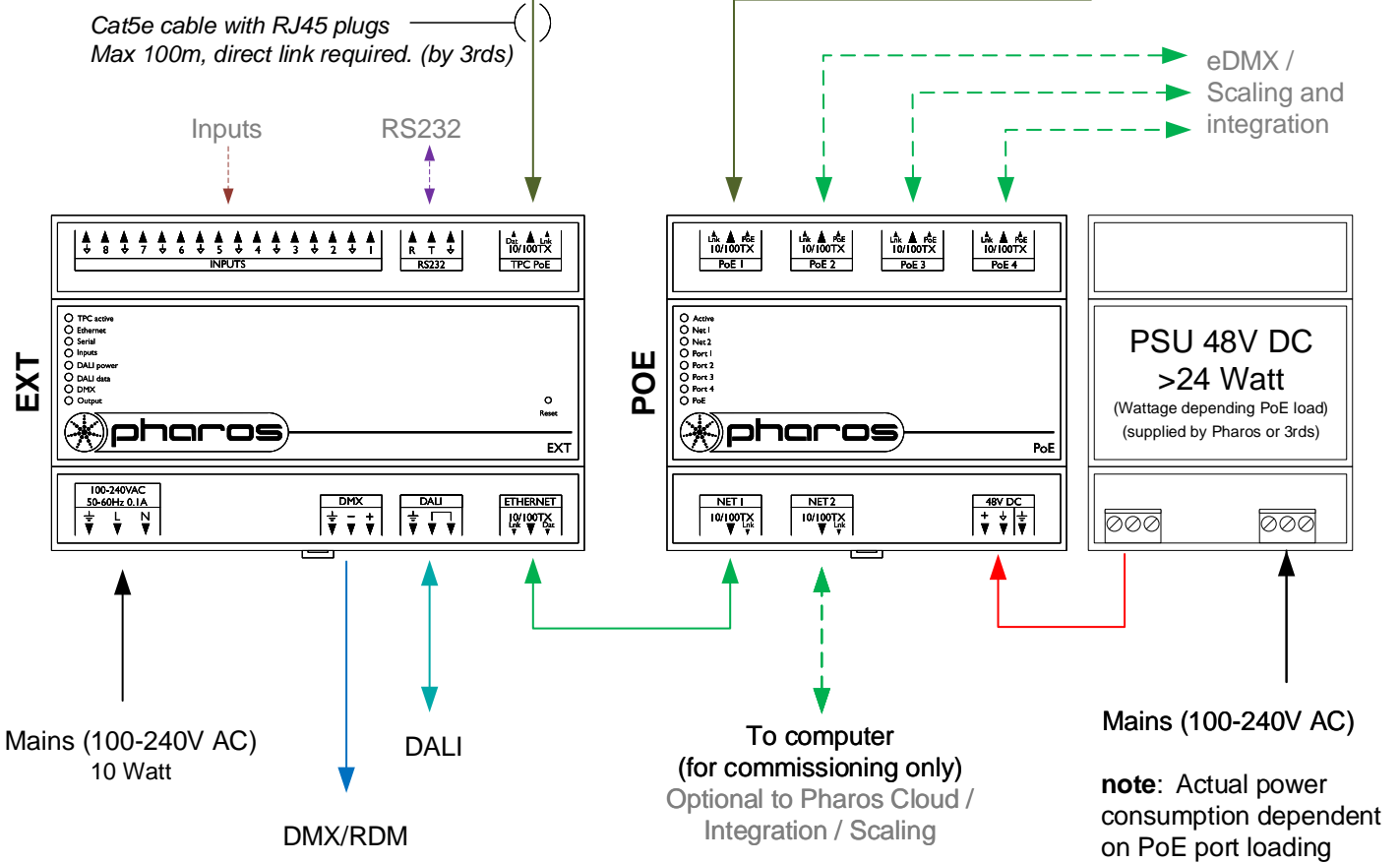
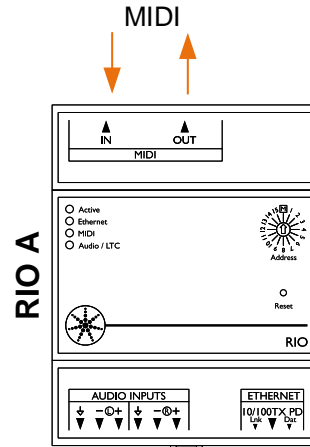
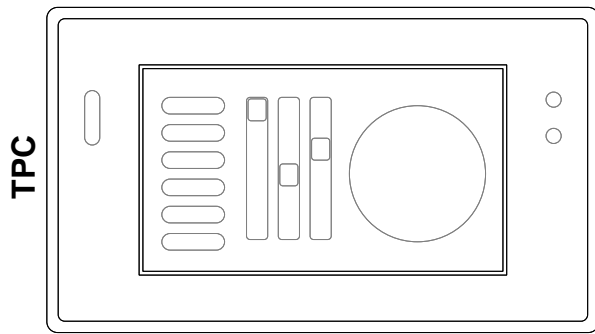
Size:
A4

Page:


Name:
TPC - EXT - RIO 08

Date:	Rev:	Notes:
27/09/2017	V 1.0	Setup
17/09/2018	V 1.1	Minor adjustments
21/01/2019	V 1.2	Minor adjustments
27/05/2021	V 1.3	Minor adjustments

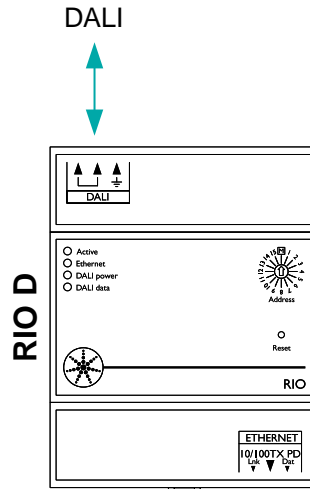
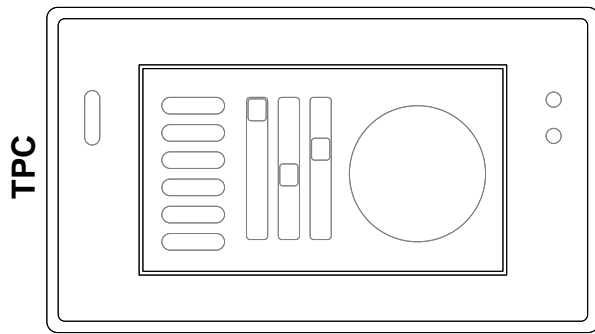
Type: TPC + EXT
DMX ≤ 512 channels
eDMX ≤ 512 channels
Total ≤ 512 channels
DALI 1 DALI bus (max 64 devices)



- Consult the **Installation Guide** for technical details
- See **General Notes.pdf** for information on cabling types
- **More configurations** are possible to fulfil any project
- Contact your supplier or visit our website for support

 pharoscontrols.com	Reference: 1306	Name: TPC - EXT - RIO A	
	Size: A4	Date: 27/09/2017	Rev: V 1.0
	Page:	Notes: Setup	
		Notes: Minor adjustments	
	21/01/2019	V 1.2	Minor adjustments
	27/05/2021	V 1.3	Minor adjustments

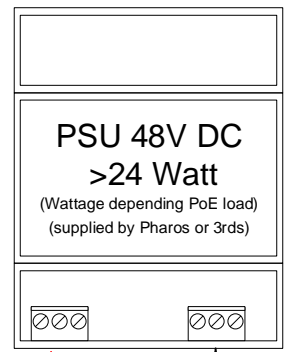
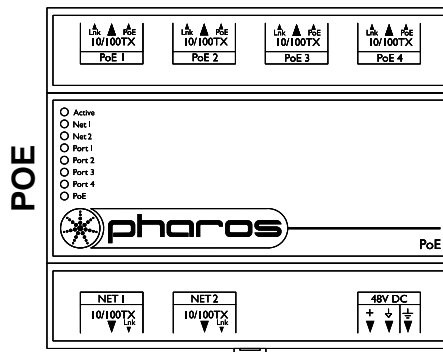
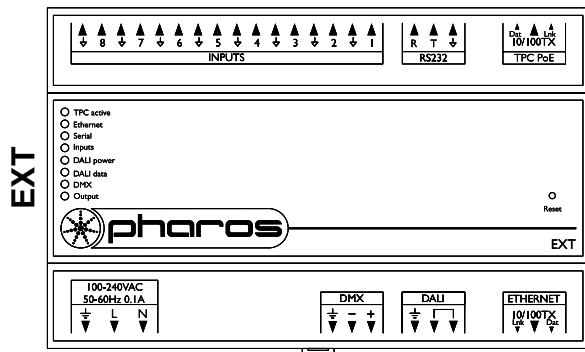
Type: TPC + EXT
DMX ≤ 512 channels
eDMX ≤ 512 channels
Total ≤ 512 channels
DALI 2 DALI busses (max 2x64 devices)



Cat5e cable with RJ45 plugs
 Max 100m, direct link required. (by 3rds)

Inputs RS232

eDMX /
 Scaling and
 integration



Mains (100-240V AC)
 10 Watt

DMX/RDM

DALI

To computer
 (for commissioning only)
 Optional to Pharos Cloud /
 Integration / Scaling

Mains (100-240V AC)

note: Actual power
 consumption dependent
 on PoE port loading

- Consult the **Installation Guide** for technical details
- See **General Notes.pdf** for information on cabling types
- **More configurations** are possible to fulfil any project
- Contact your supplier or visit our website for support



pharoscontrols.com

Reference:
 1307

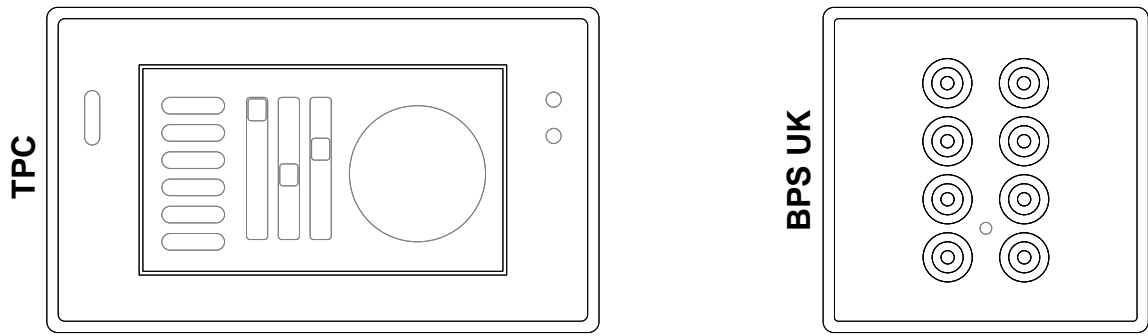
Size:
 A4

Page:

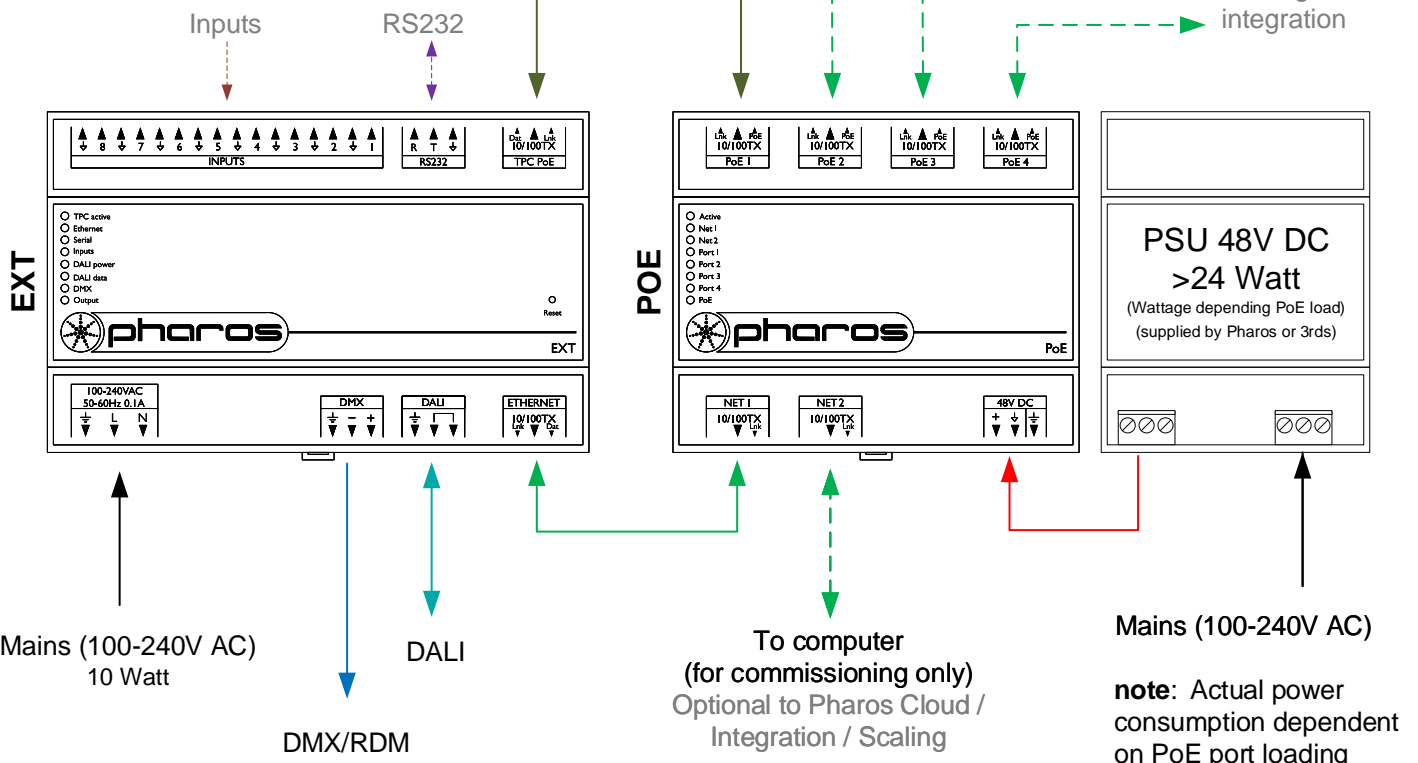
Name:
 TPC - EXT - RIO D

Date:	Rev:	Notes:
27/09/2017	V 1.0	Setup
17/09/2018	V 1.1	Minor adjustments
21/01/2019	V 1.2	Minor adjustments
27/05/2021	V 1.3	Minor adjustments

Type: TPC + EXT
DMX ≤ 512 channels
eDMX ≤ 512 channels
Total ≤ 512 channels
DALI 1 DALI bus (max 64 devices)



Cat5e cable with RJ45 plugs
 Max 100m, direct link required. (by 3rds)



- Consult the **Installation Guide** for technical details
- See **General Notes.pdf** for information on cabling types
- **More configurations** are possible to fulfil any project
- Contact your supplier or visit our website for support



pharoscontrols.com

Reference: 1308

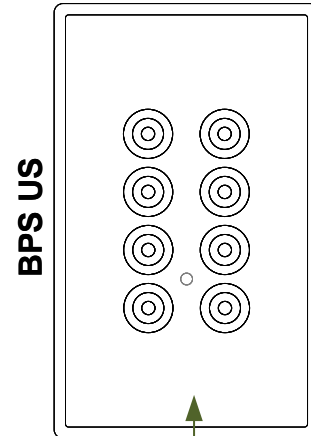
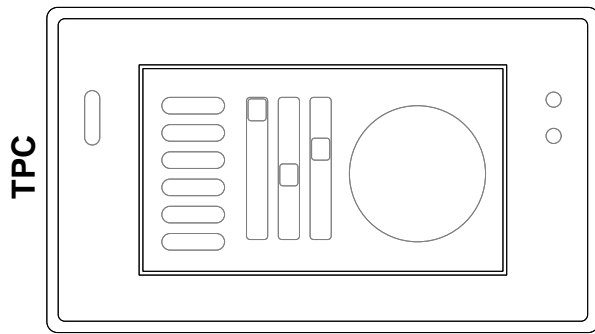
Size: A4

Page:

Name: TPC - EXT - BPS UK

Date:	Rev:	Notes:
27/09/2017	V 1.0	Setup
17/09/2018	V 1.1	Minor adjustments
21/01/2019	V 1.2	Minor adjustments
27/05/2021	V 1.3	Minor adjustments

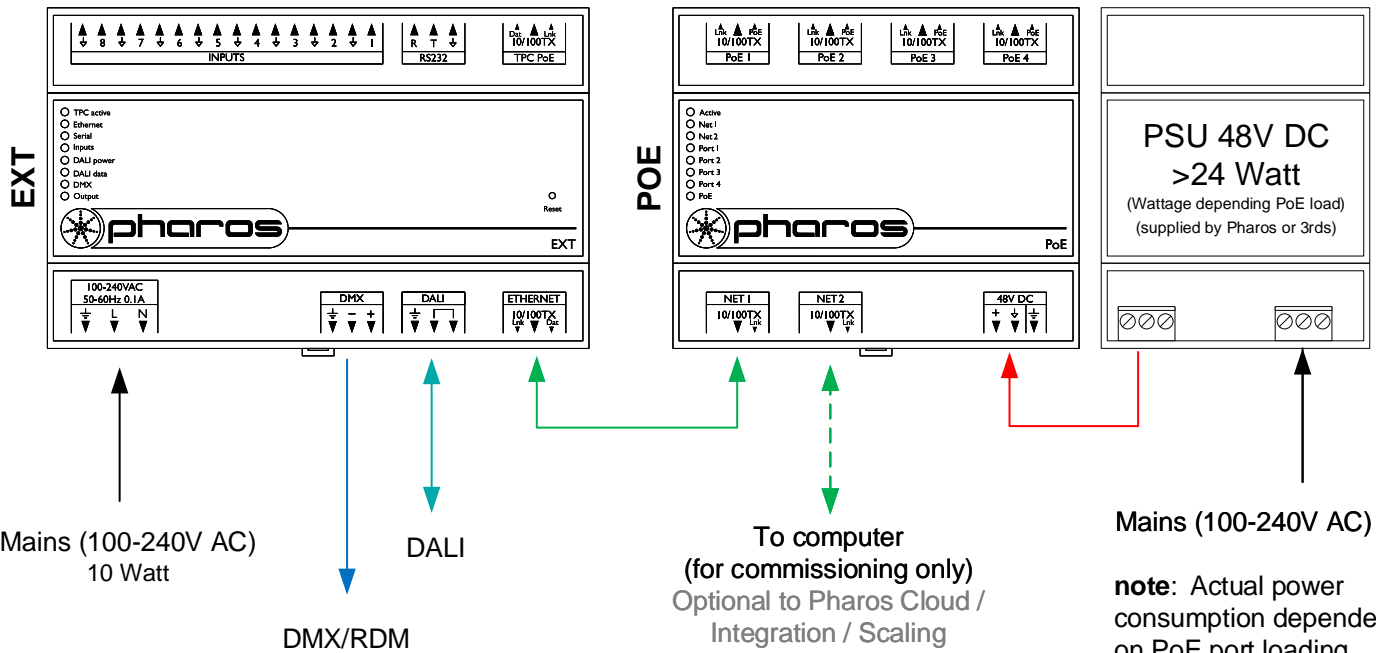
Type: TPC + EXT
DMX ≤ 512 channels
eDMX ≤ 512 channels
Total ≤ 512 channels
DALI 1 DALI bus (max 64 devices)



Cat5e cable with RJ45 plugs
 Max 100m, direct link required. (by 3rds)

Inputs RS232

eDMX /
 Scaling and
 integration



Mains (100-240V AC)
 10 Watt

DMX/RDM

DALI

To computer
 (for commissioning only)
 Optional to Pharos Cloud /
 Integration / Scaling

Mains (100-240V AC)

note: Actual power
 consumption dependent
 on PoE port loading

- Consult the **Installation Guide** for technical details
- See **General Notes.pdf** for information on cabling types
- **More configurations** are possible to fulfil any project
- Contact your supplier or visit our website for support



pharoscontrols.com

Reference:
 1309

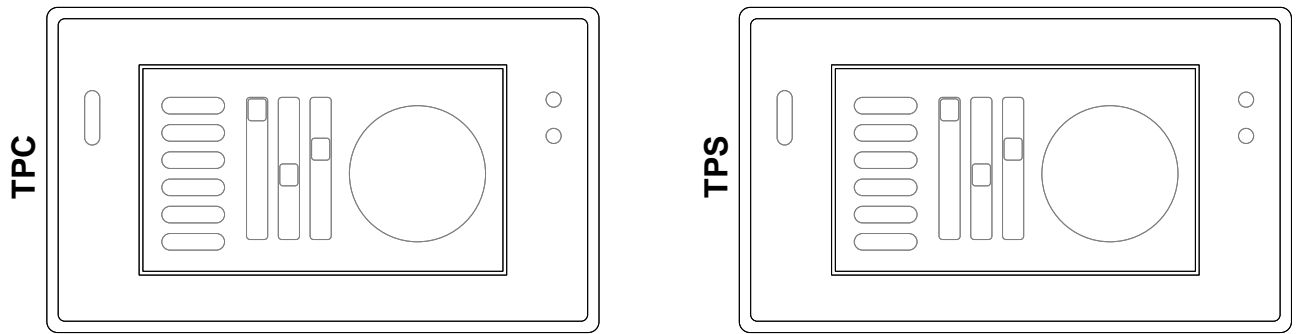
Size:
 A4

Page:

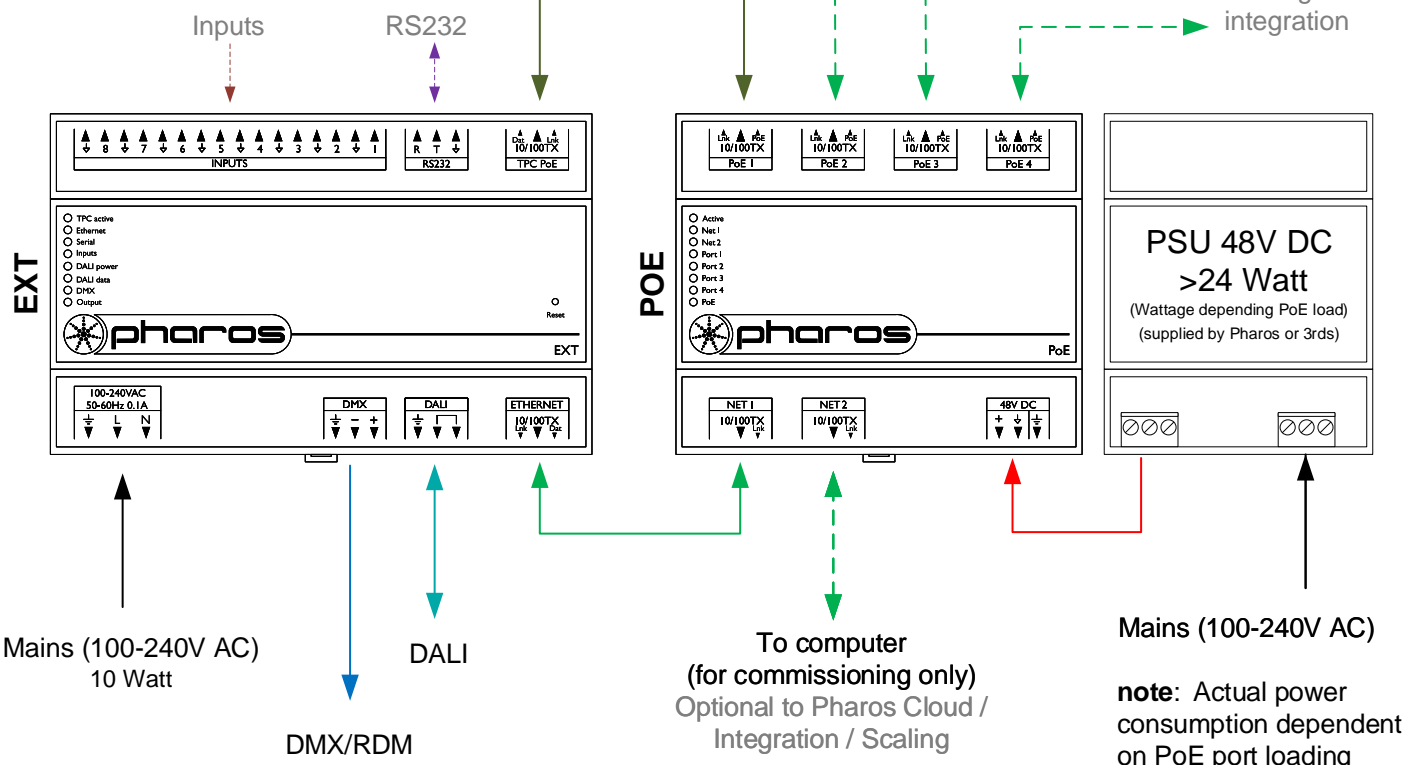
Name:
 TPC - EXT - BPS US

Date:	Rev:	Notes:
27/09/2017	V 1.0	Setup
17/09/2018	V 1.1	Minor adjustments
21/01/2019	V 1.2	Minor adjustments
27/05/2021	V 1.3	Minor adjustments

Type: TPC + EXT
DMX ≤ 512 channels
eDMX ≤ 512 channels
Total ≤ 512 channels
DALI 1 DALI bus (max 64 devices)



Cat5e cable with RJ45 plugs
 Max 100m, direct link required. (by 3rds)



- Consult the **Installation Guide** for technical details
- See **General Notes.pdf** for information on cabling types
- **More configurations** are possible to fulfil any project
- Contact your supplier or visit our website for support



pharoscontrols.com

Reference: 1310

Size: A4

Page:

Name: TPC - EXT - TPS

Date:	Rev:	Notes:
27/09/2017	V 1.0	Setup
17/09/2018	V 1.1	Minor adjustments
21/01/2019	V 1.2	Minor adjustments
27/05/2021	V 1.3	Minor adjustments