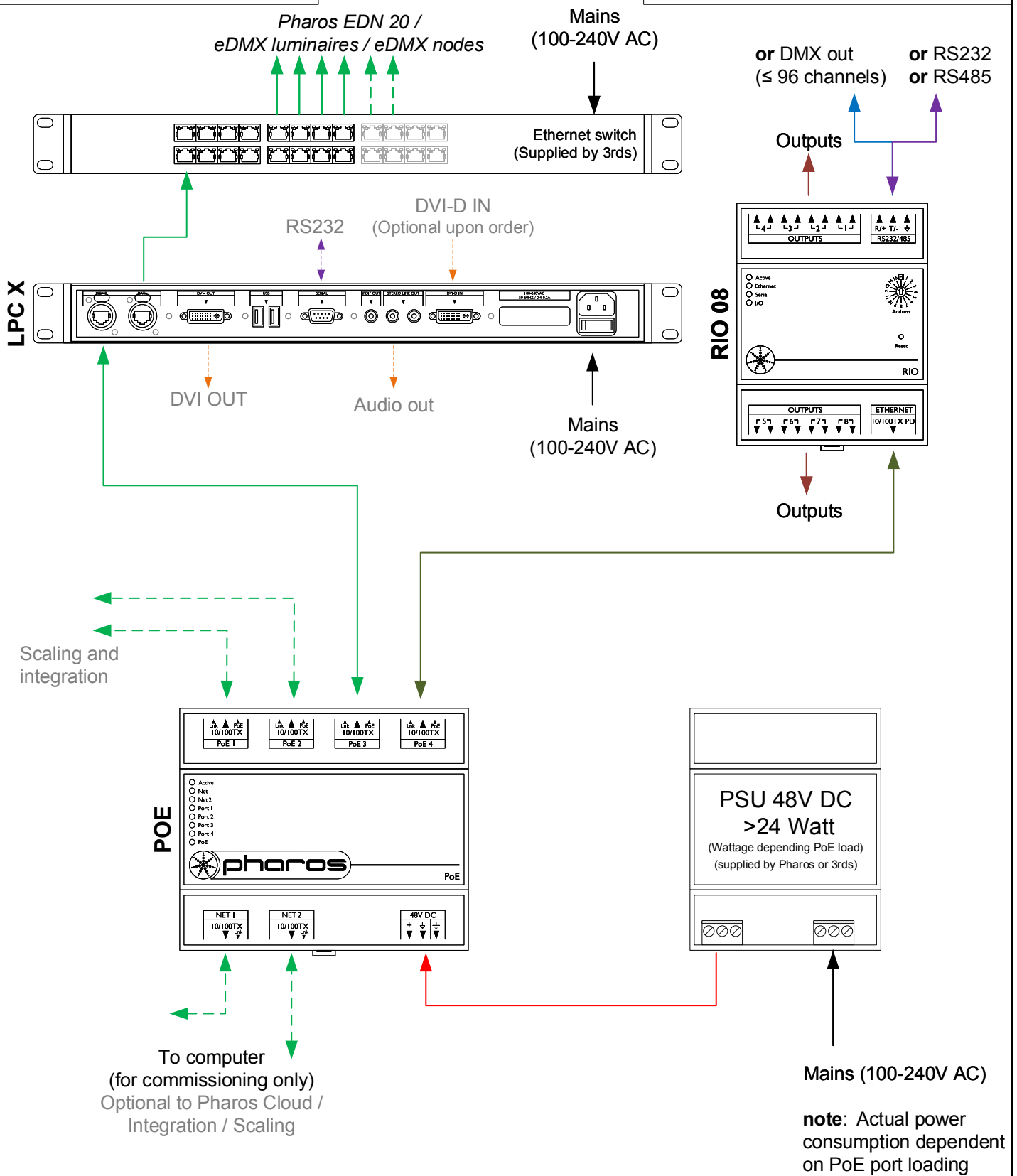


Type: **LPC X (X=10,20,30...100)**  
 eDMX ≤ X \*512 channels  
 RIO DMX ≤ 96 channels  
 Total ≤ X \*512 channels

Type:	Inputs	Outputs	Serial Port
RIO 80	8	0	Yes
RIO 44	4	4	Yes
RIO 08	0	8	Yes



- Consult the **Installation Guide** for technical details
- See **General Notes.pdf** for information on cabling types
- **More configurations** are possible to fulfil any project
- Contact your supplier or visit our website for support



pharoscontrols.com

Reference: 1405

Size: A4

Page:

Name: LPC X - RIO 08

Date:	Rev:	Notes:
27/09/2017	V 1.0	Setup
21/01/2019	V 1.2	Minor adjustments
05/11/2019	V 1.3	EDN added
27/05/2021	V 1.4	Minor adjustments