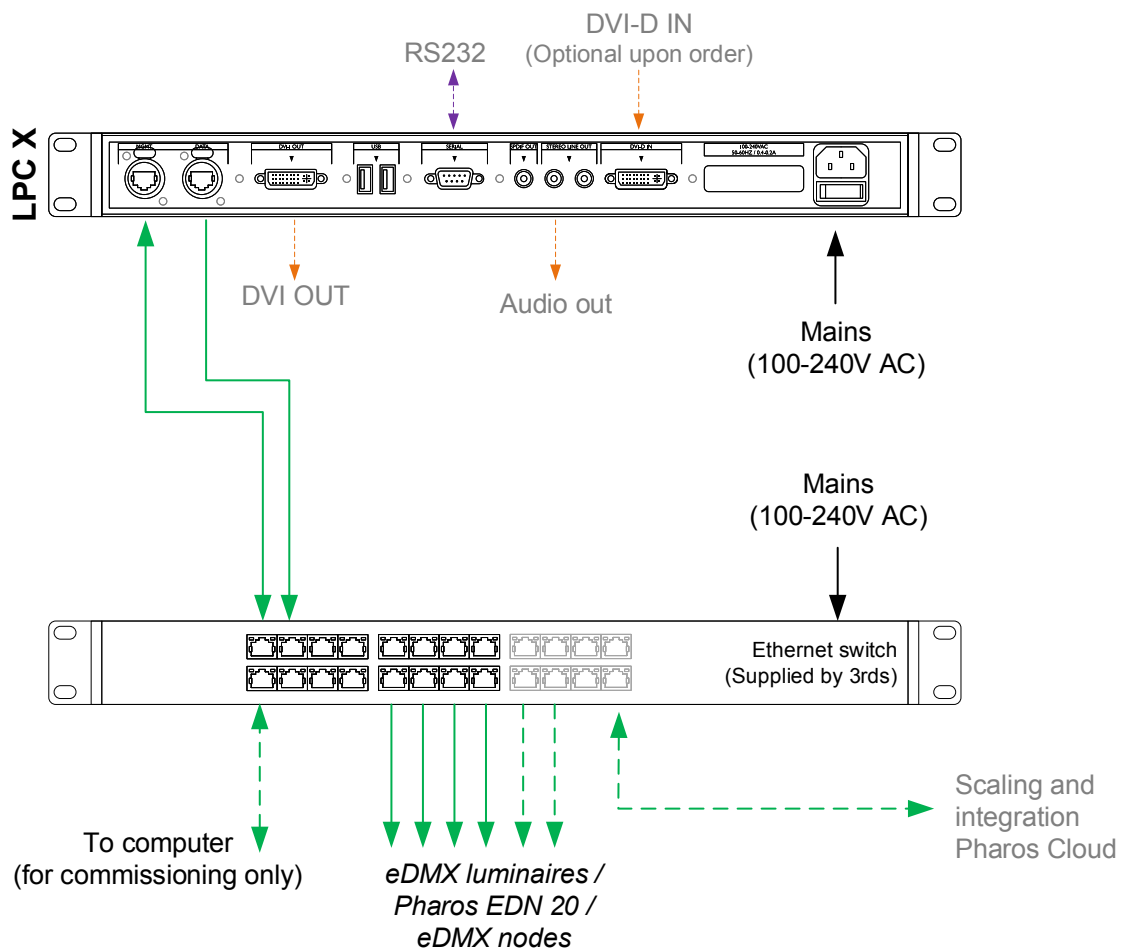


Type:	LPC X (X=10,20,30...100)
eDMX	≤ X *512 channels
Total	≤ X *512 channels



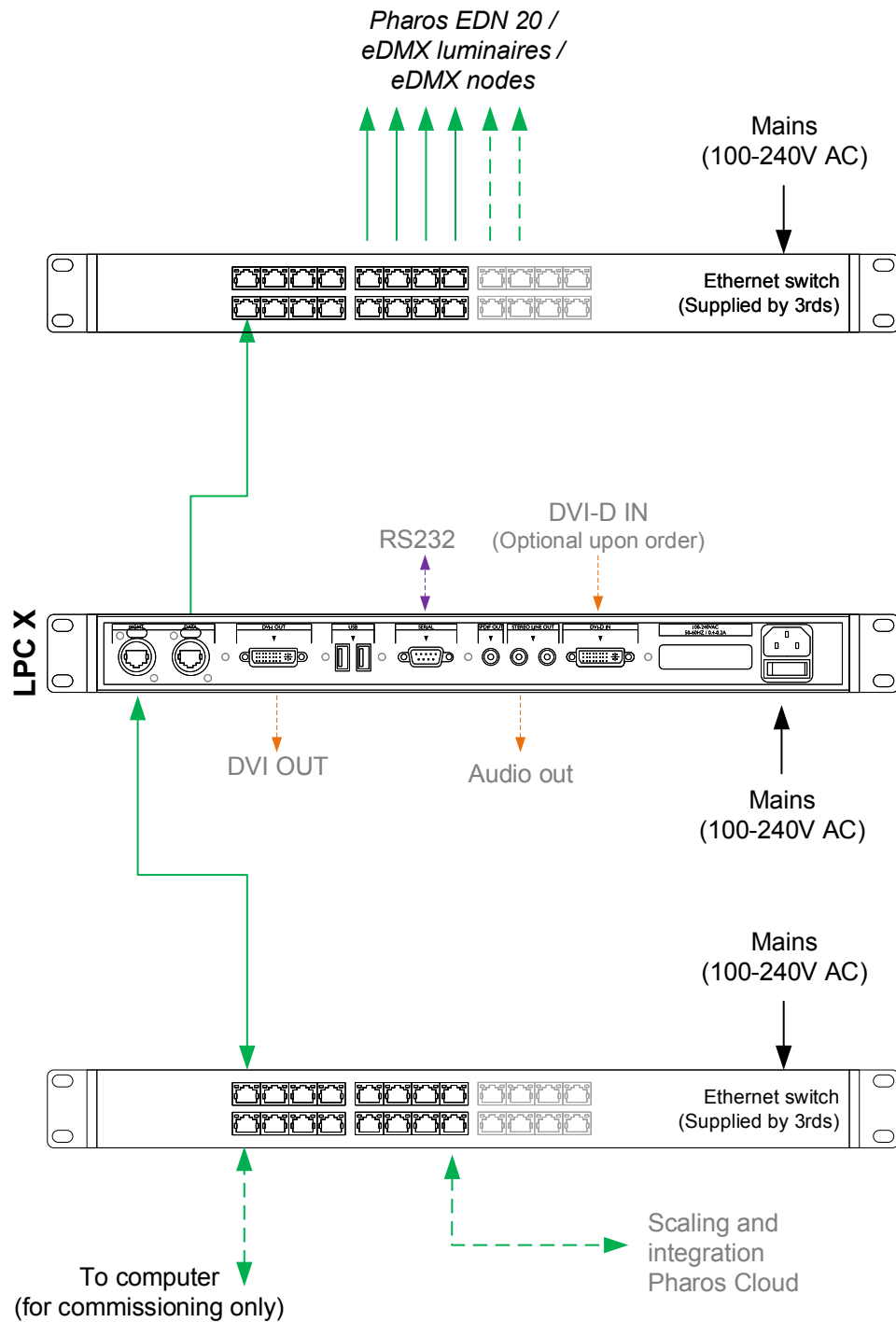
- Consult the **Installation Guide** for technical details
- See **General Notes.pdf** for information on cabling types
- **More configurations** are possible to fulfil any project
- Contact your supplier or visit our website for support



pharoscontrols.com


Reference: 1401	Name: LPC X (single network)		
Size: A4	Date: 27/09/2017	Rev: V 1.0	Notes: Setup
Page:	21/01/2019	V 1.2	Minor adjustments
	05/11/2019	V 1.3	EDN added
	27/05/2021	V 1.4	Minor adjustments

Type:	LPC X (X=10,20,30...100)
eDMX	≤ X *512 channels
Total	≤ X *512 channels



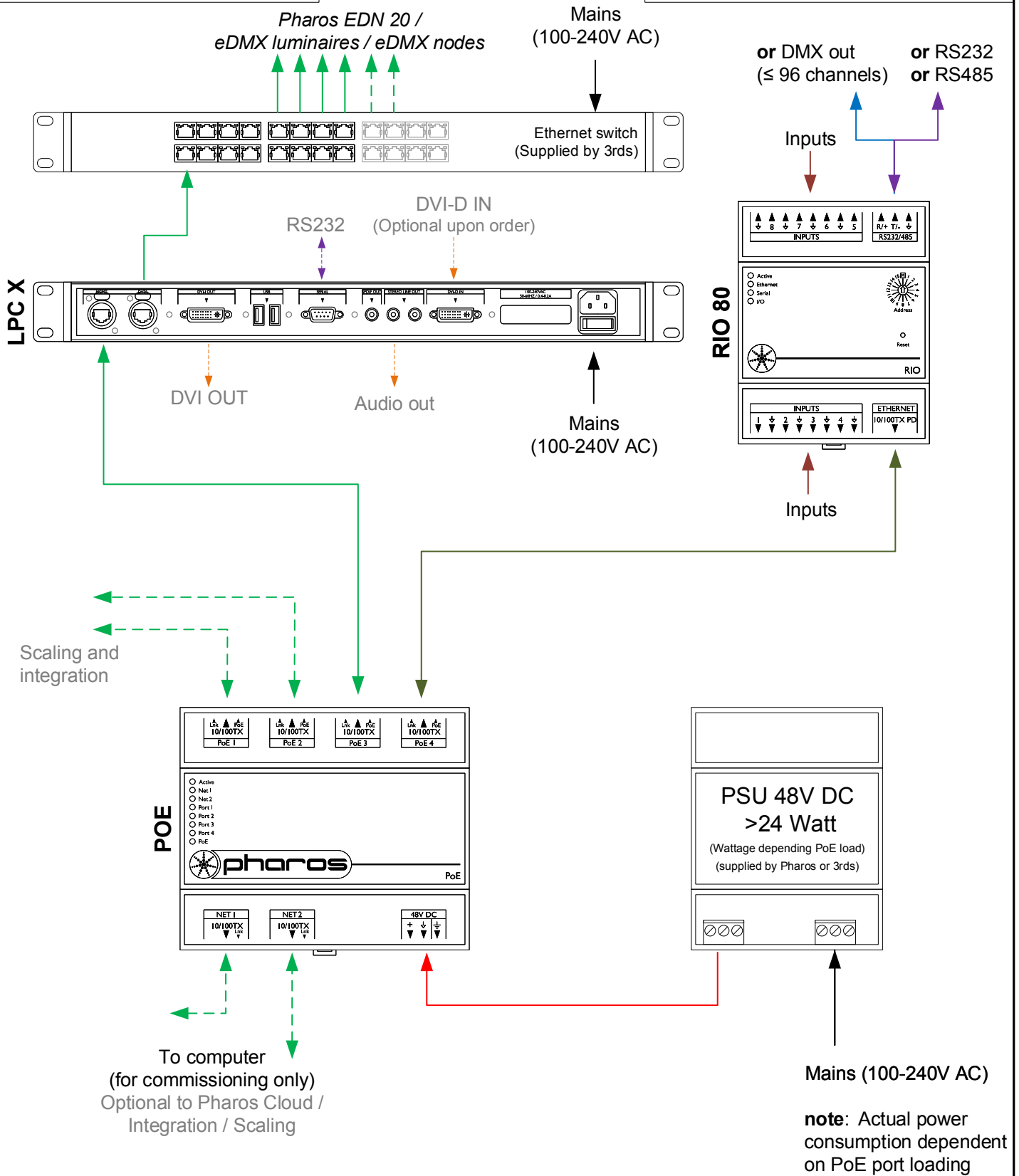
note: Requires different subnets on the two ports

- Consult the **Installation Guide** for technical details
- See **General Notes.pdf** for information on cabling types
- **More configurations** are possible to fulfil any project
- Contact your supplier or visit our website for support


 pharoscontrols.com	Reference: 1402	Name: LPC X (dual network)		
	Size: A4	Date: 27/09/2017	Rev: V 1.0	Notes: Setup
	Page:	21/01/2019	V 1.2	Minor adjustments
		05/11/2019	V 1.3	EDN added
	27/05/2021	V 1.4	Minor adjustments	

Type: **LPC X (X=10,20,30...100)**
 eDMX ≤ X *512 channels
 RIO DMX ≤ 96 channels
 Total ≤ X *512 channels

Type:	Inputs	Outputs	Serial Port
RIO 80	8	0	Yes
RIO 44	4	4	Yes
RIO 08	0	8	Yes

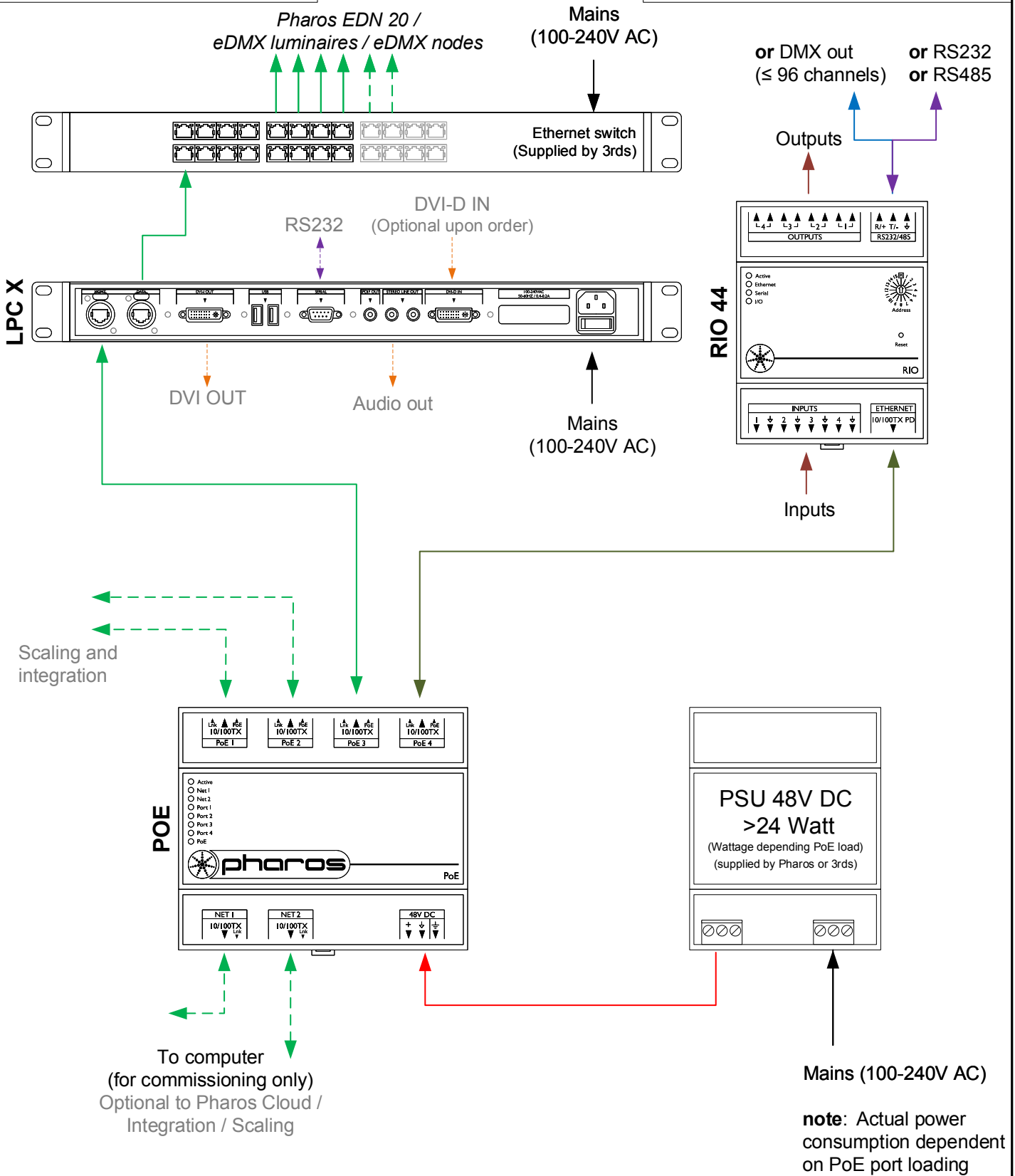


- Consult the **Installation Guide** for technical details
- See **General Notes.pdf** for information on cabling types
- **More configurations** are possible to fulfil any project
- Contact your supplier or visit our website for support


 pharoscontrols.com	Reference: 1403	Name: LPC X - RIO 80		
	Size: A4	Date:	Rev:	
	Page:	27/09/2017	V 1.0	Notes: Setup
		21/01/2019	V 1.2	Minor adjustments
	05/11/2019	V 1.3	EDN added	
	27/05/2021	V 1.4	Minor adjustments	

Type:	LPC X (X=10,20,30...100)
eDMX	≤ X *512 channels
RIO DMX	≤ 96 channels
Total	≤ X *512 channels

Type:	Inputs	Outputs	Serial Port
RIO 80	8	0	Yes
RIO 44	4	4	Yes
RIO 08	0	8	Yes

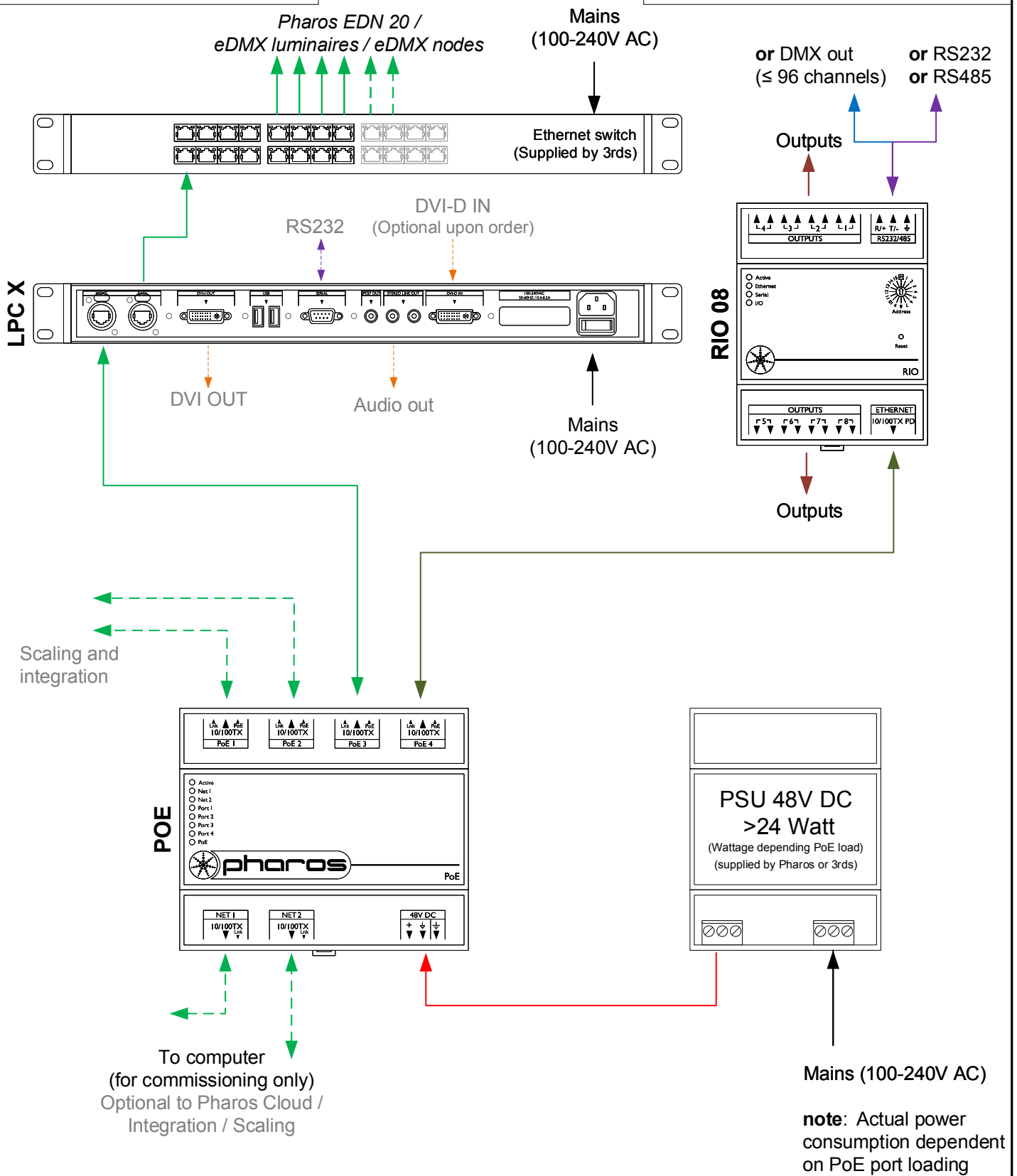


- Consult the **Installation Guide** for technical details
- See **General Notes.pdf** for information on cabling types
- **More configurations** are possible to fulfil any project
- Contact your supplier or visit our website for support

 pharoscontrols.com	Reference:	Name:		
	1404	LPC X - RIO 44		
	Size:	Date:	Rev:	Notes:
	A4	27/09/2017	V 1.0	Setup
Page:	21/01/2019	V 1.2	Minor adjustments	
	05/11/2019	V 1.3	EDN added	
	27/05/2021	V 1.4	Minor adjustments	

Type:	LPC X (X=10,20,30...100)
eDMX	≤ X *512 channels
RIO DMX	≤ 96 channels
Total	≤ X *512 channels

Type:	Inputs	Outputs	Serial Port
RIO 80	8	0	Yes
RIO 44	4	4	Yes
RIO 08	0	8	Yes



- Consult the **Installation Guide** for technical details
- See **General Notes.pdf** for information on cabling types
- **More configurations** are possible to fulfil any project
- Contact your supplier or visit our website for support



pharoscontrols.com

Reference:
1405

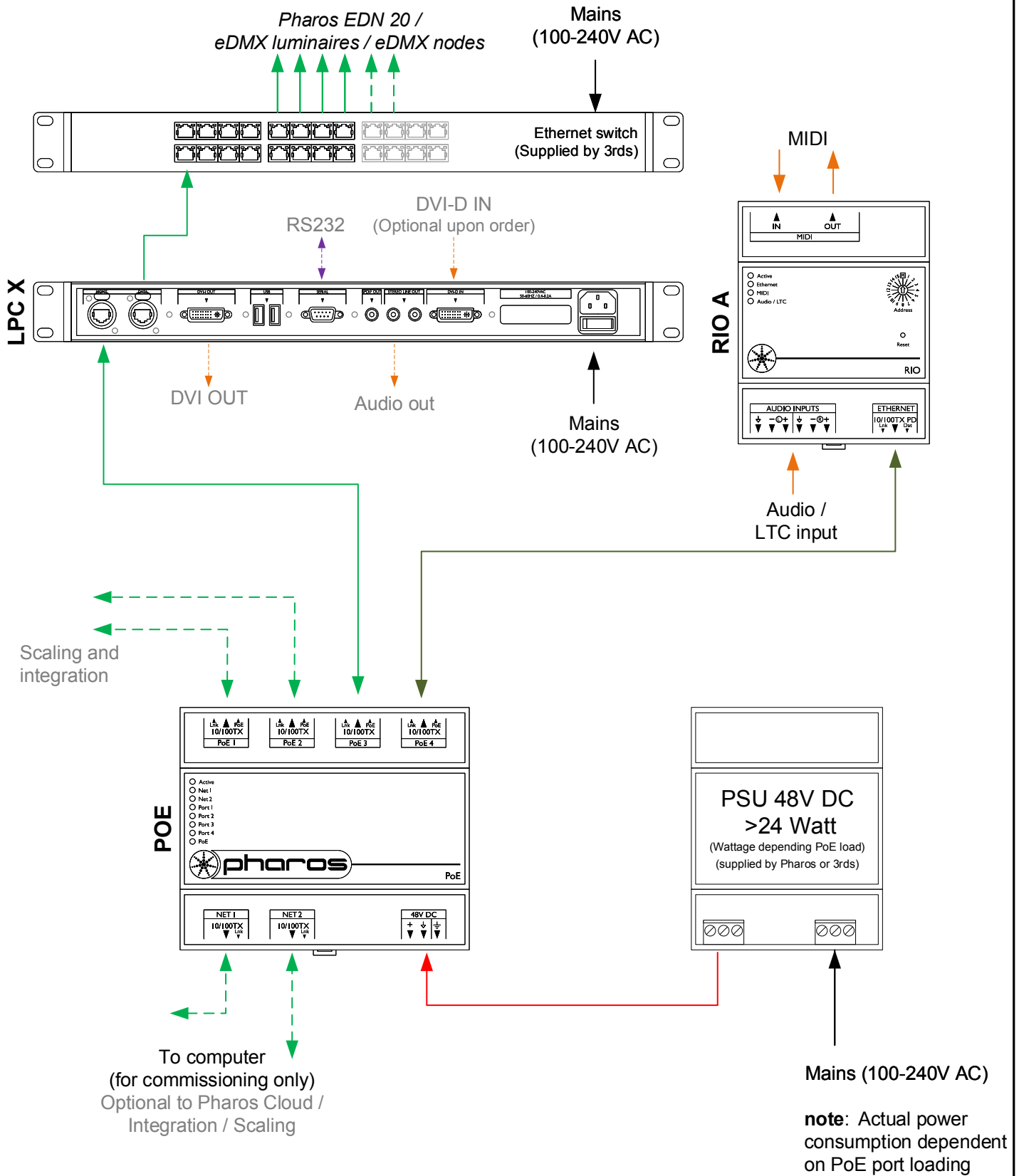
Size:
A4

Page:


Name:
LPC X - RIO 08

Date:	Rev:	Notes:
27/09/2017	V 1.0	Setup
21/01/2019	V 1.2	Minor adjustments
05/11/2019	V 1.3	EDN added
27/05/2021	V 1.4	Minor adjustments

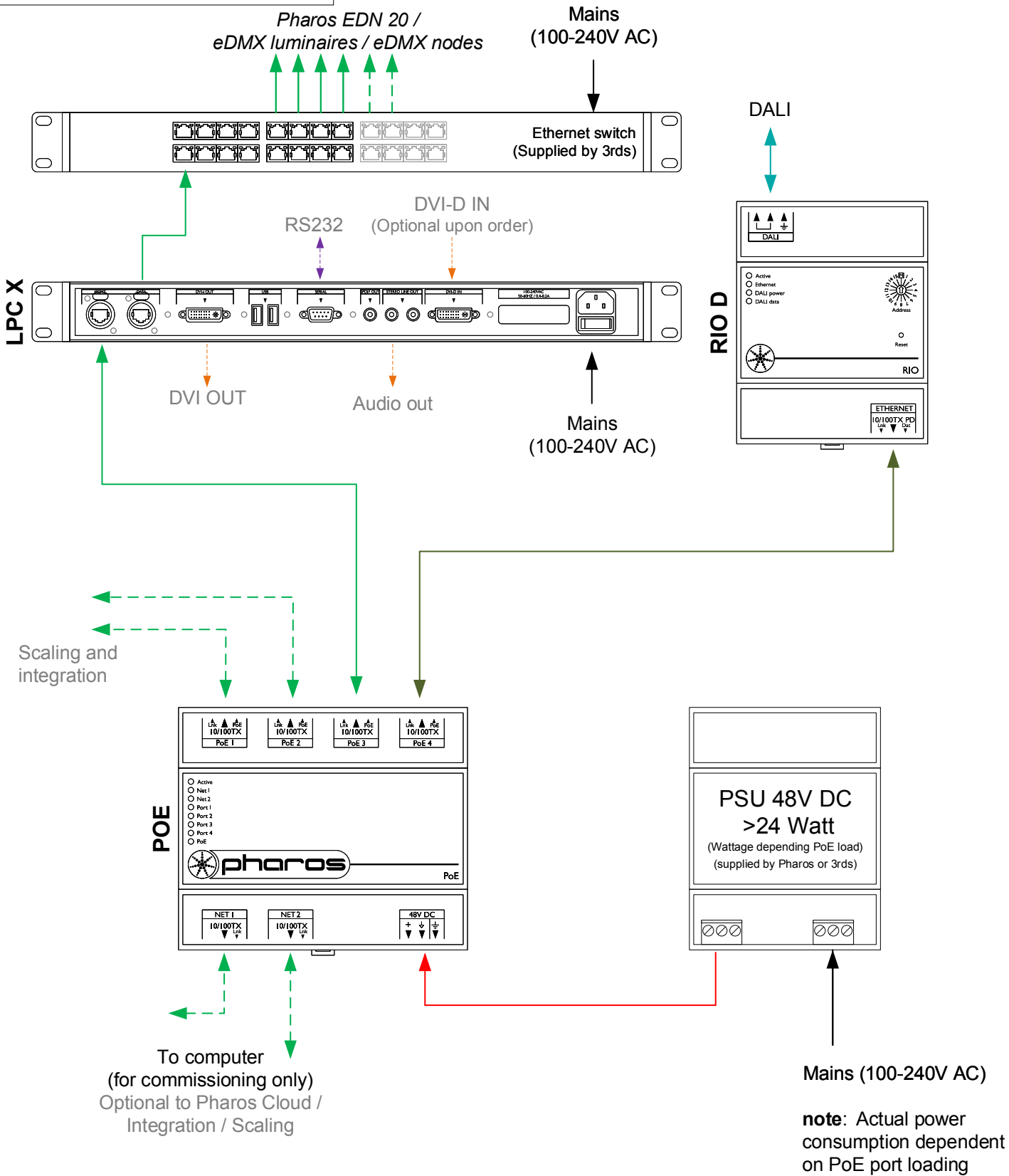
Type: **LPC X (X=10,20,30...100)**
 eDMX ≤ X *512 channels
 Total ≤ X *512 channels




- Consult the **Installation Guide** for technical details
- See **General Notes.pdf** for information on cabling types
- **More configurations** are possible to fulfil any project
- Contact your supplier or visit our website for support

 pharoscontrols.com	Reference: 1406	Name: LPC X - RIO A	
	Size: A4	Date: 27/09/2017	Rev: V 1.0
	Page:	Notes: Setup	Notes: Minor adjustments
		21/01/2019	V 1.2
		05/11/2019	V 1.3
		27/05/2021	V 1.4

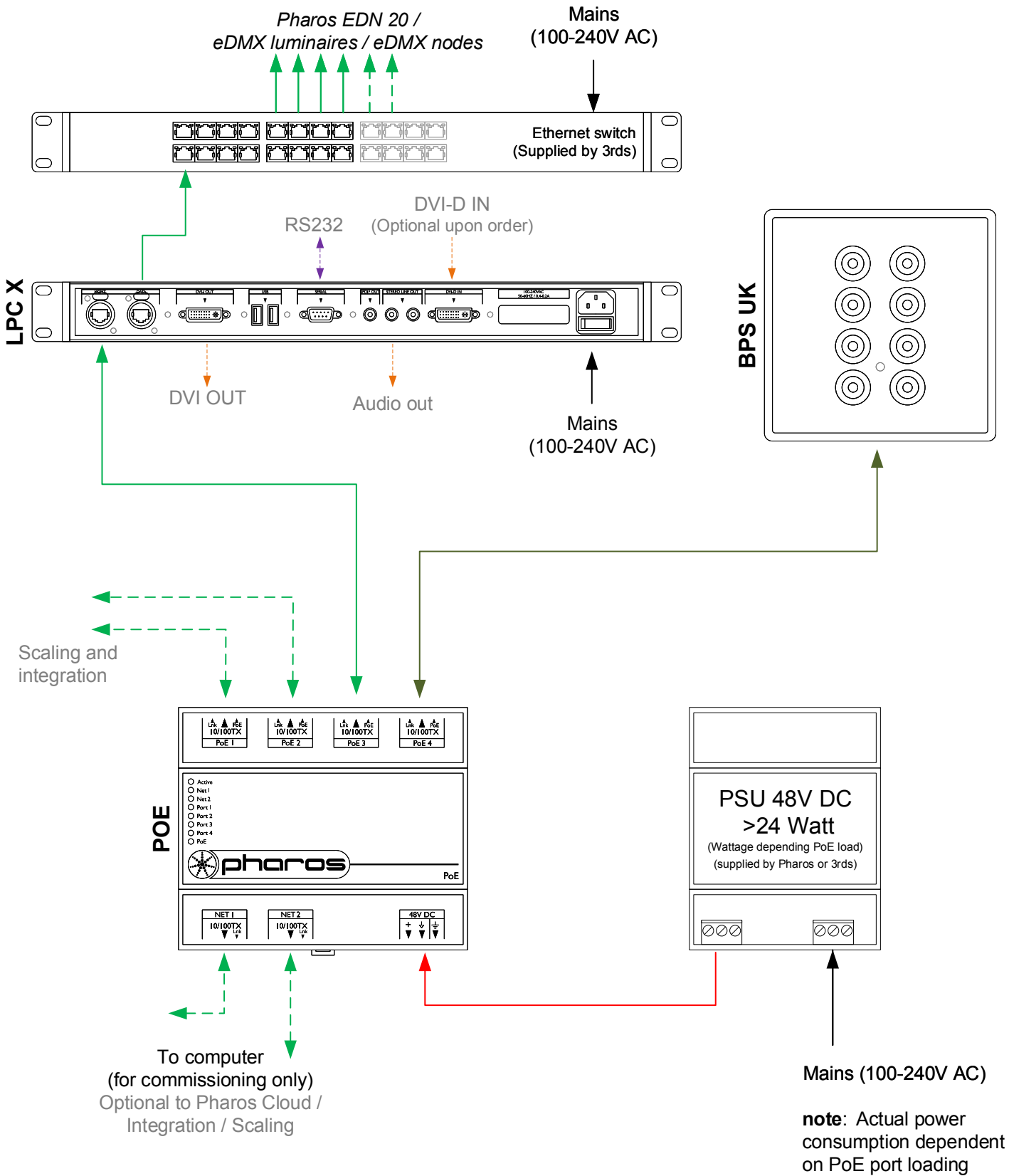
Type: **LPC X (X=10,20,30...100)**
 eDMX ≤ X *512 channels
 Total ≤ X *512 channels
 DALI 1 DALI bus (max 64 devices)




- Consult the **Installation Guide** for technical details
- See **General Notes.pdf** for information on cabling types
- **More configurations** are possible to fulfil any project
- Contact your supplier or visit our website for support

 pharoscontrols.com	Reference: 1407	Name: LPC X - RIO D	
	Size: A4	Date: 27/09/2017	Rev: V 1.0
	Page:	Notes: Setup	Notes: Minor adjustments
		21/01/2019	V 1.2
		05/11/2019	V 1.3
		27/05/2021	V 1.4

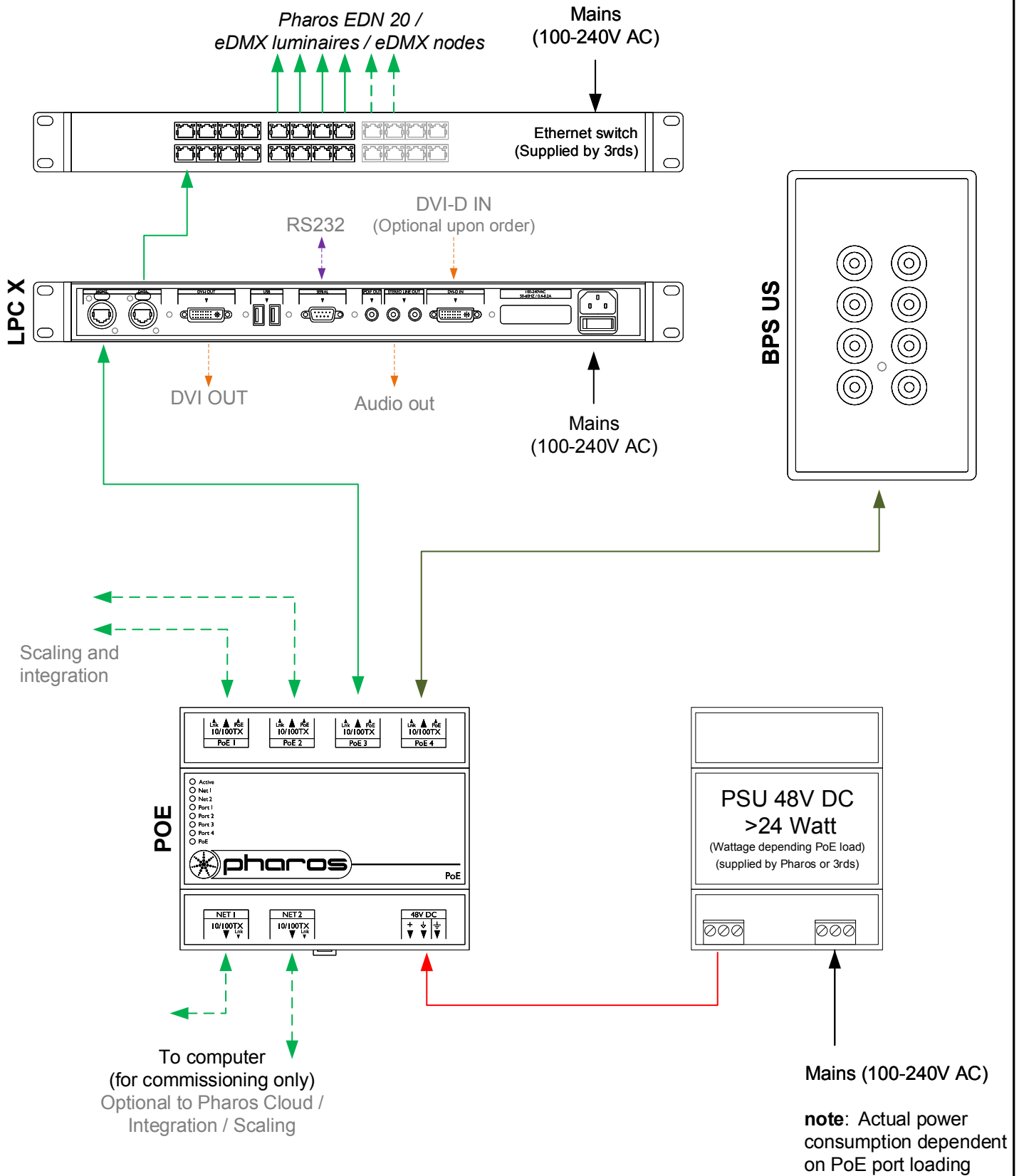
Type: **LPC X (X=10,20,30...100)**
 eDMX ≤ X *512 channels
 Total ≤ X *512 channels




- Consult the **Installation Guide** for technical details
- See **General Notes.pdf** for information on cabling types
- **More configurations** are possible to fulfil any project
- Contact your supplier or visit our website for support

 pharoscontrols.com	Reference: 1408	Name: LPC X - BPS UK		
	Size: A4	Date: 27/09/2017	Rev: V 1.0	
	Page:	21/01/2019	V 1.2	Notes: Setup
		05/11/2019	V 1.3	Minor adjustments
	27/05/2021	V 1.4	EDN added Minor adjustments	

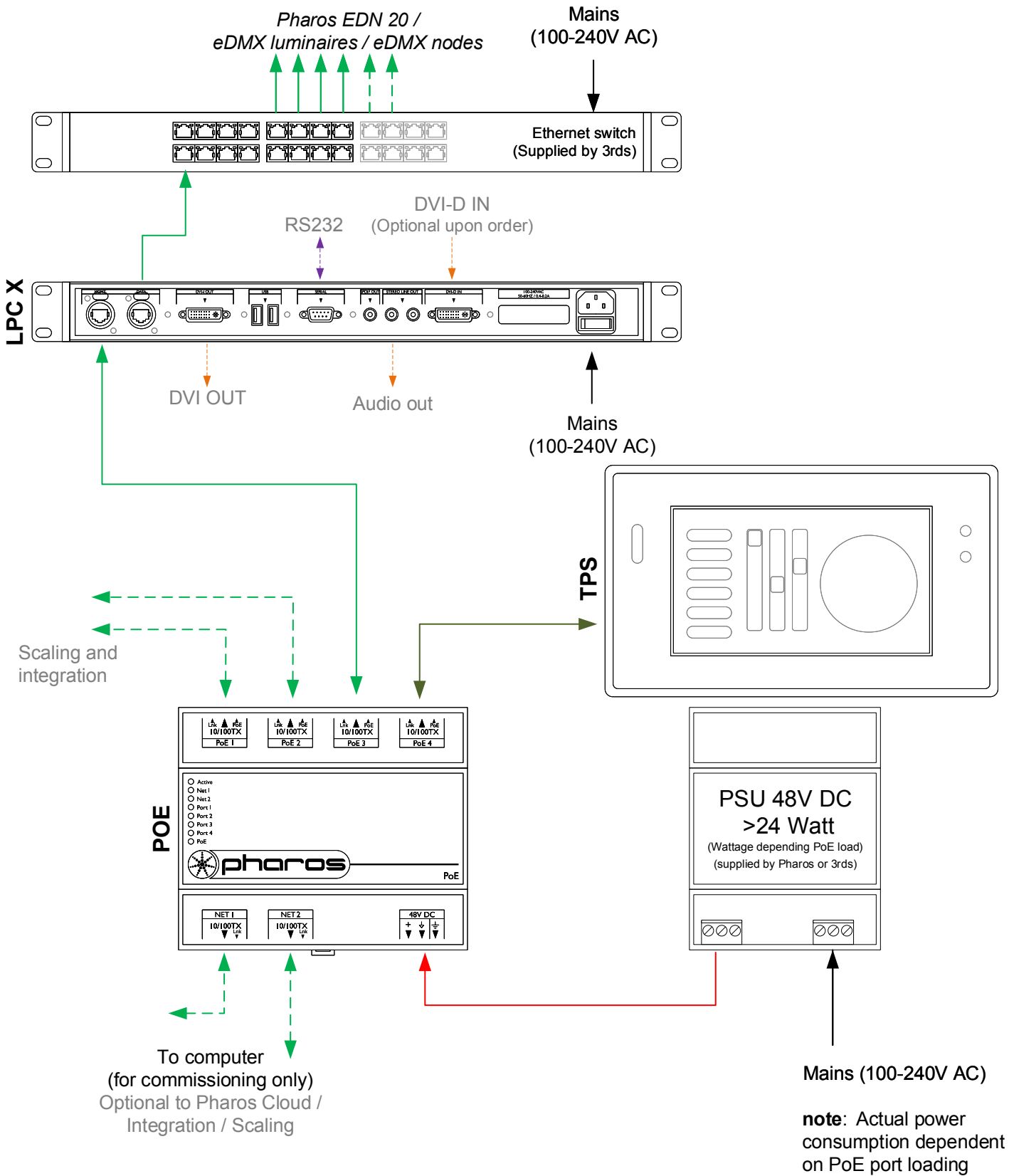
Type: **LPC X (X=10,20,30...100)**
 eDMX ≤ X *512 channels
 Total ≤ X *512 channels




- Consult the **Installation Guide** for technical details
- See **General Notes.pdf** for information on cabling types
- **More configurations** are possible to fulfil any project
- Contact your supplier or visit our website for support

 pharoscontrols.com	Reference: 1409	Name: LPC X - BPS US		
	Size: A4	Date: 27/09/2017	Rev: V 1.0	
	Page:	21/01/2019	V 1.2	Notes: Setup
		05/11/2019	V 1.3	Minor adjustments
	27/05/2021	V 1.4	EDN added Minor adjustments	

Type: **LPC X (X=10,20,30...100)**
 eDMX ≤ X *512 channels
 Total ≤ X *512 channels



- Consult the **Installation Guide** for technical details
- See **General Notes.pdf** for information on cabling types
- **More configurations** are possible to fulfil any project
- Contact your supplier or visit our website for support

 pharoscontrols.com	Reference: 1410	Name: LPC X - TPS		
	Size: A4	Date: 27/09/2017	Rev: V 1.0	
	Page:	21/01/2019	V 1.2	Notes: Setup
		05/11/2019	V 1.3	Minor adjustments
	27/05/2021	V 1.4	EDN added	
			Minor adjustments	