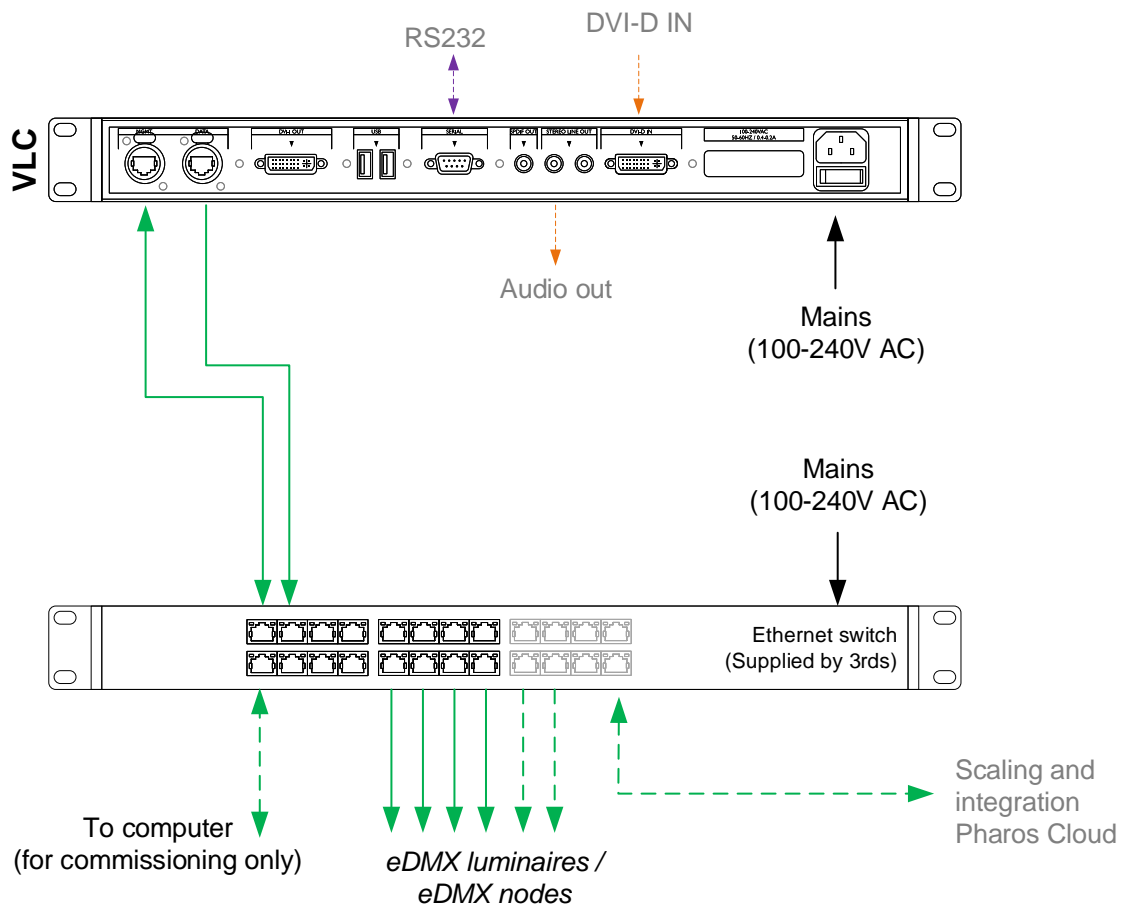


Type: VLC __ (__=50,100,250,500,1000,1500)
 eDMX ≤ __*512 channels
 Total ≤ __*512 channels



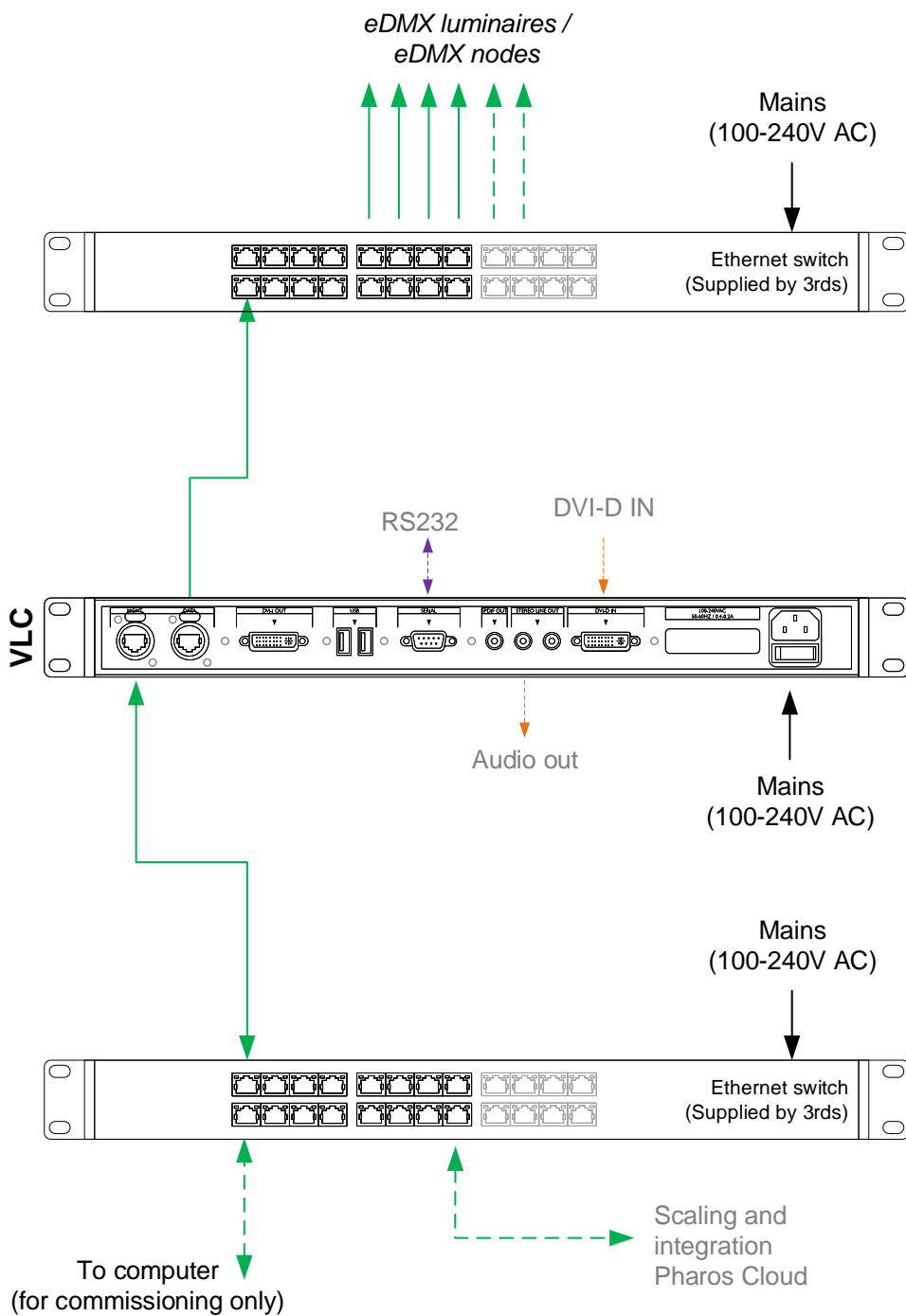
- Consult the **Installation Guide** for technical details
- See **General Notes.pdf** for information on cabling types
- **More configurations** are possible to fulfil any project
- Contact your supplier or visit our website for support



pharoscontrols.com

Reference: 1501	Name: VLC (single network)		
Size: A4	Date: 27/09/2017	Rev: V 1.0	Notes: Setup
Page:	17/09/2018	V 1.1	Minor adjustments
	21/01/2019	V 1.2	Minor adjustments
	27/05/2021	V 1.3	Minor adjustments

Type: VLC __ (__=50,100,250,500,1000,1500)
 eDMX ≤ __*512 channels
 Total ≤ __*512 channels



note: Requires different subnets on the two ports

- Consult the **Installation Guide** for technical details
- See **General Notes.pdf** for information on cabling types
- **More configurations** are possible to fulfil any project
- Contact your supplier or visit our website for support



pharoscontrols.com

Reference:
1502

Size:
A4

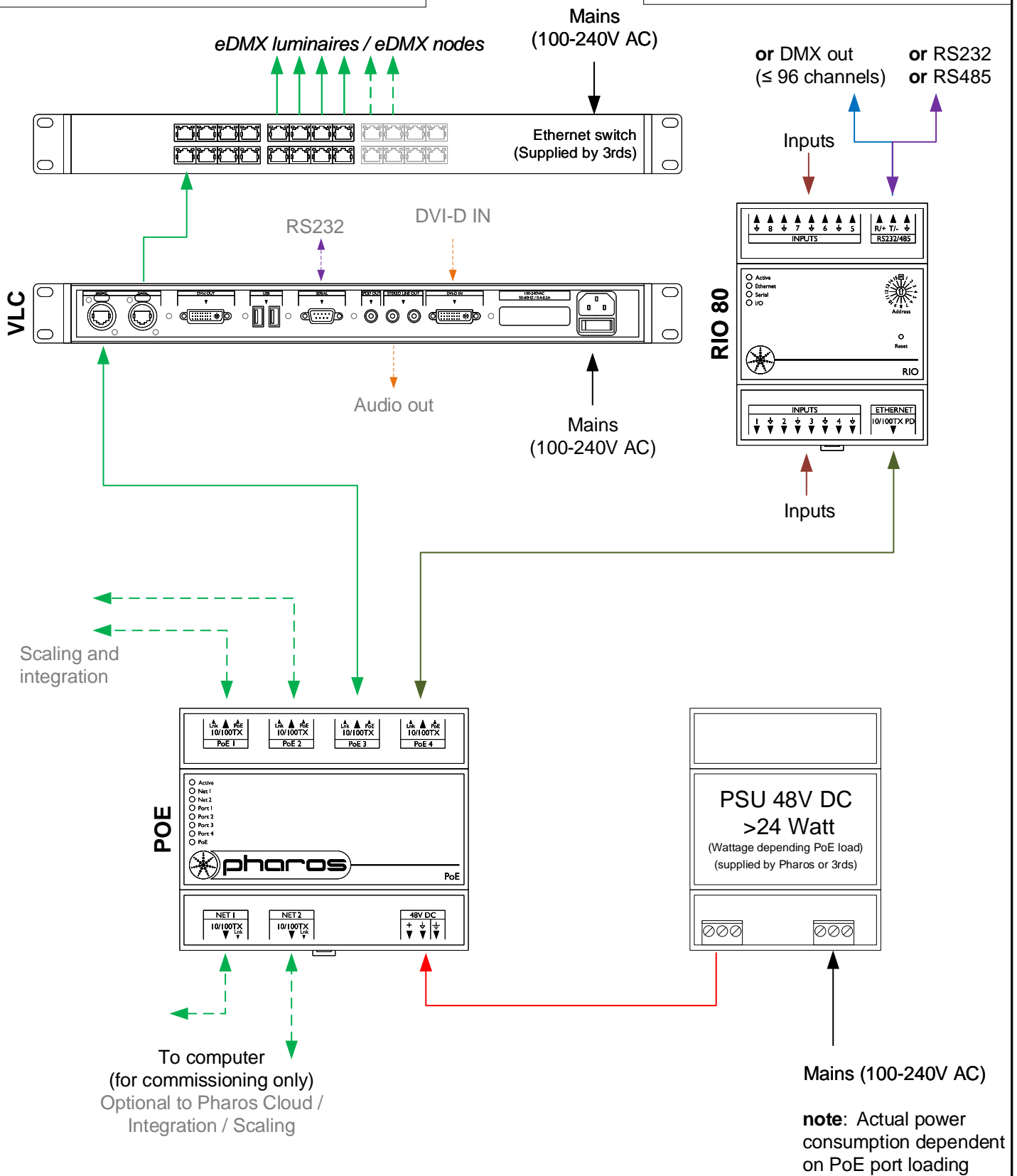
Page:

Name:
VLC (dual network)


Date:	Rev:	Notes:
27/09/2017	V 1.0	Setup
17/09/2018	V 1.1	Minor adjustments
21/01/2019	V 1.2	Minor adjustments
27/05/2021	V 1.3	Minor adjustments

Type:	VLC ___ (___=50,100,250,500,1000,1500)
eDMX	≤ ___*512 channels
RIO DMX	≤ 96 channels
Total	≤ ___*512 channels

Type:	Inputs	Outputs	Serial Port
RIO 80	8	0	Yes
RIO 44	4	4	Yes
RIO 08	0	8	Yes

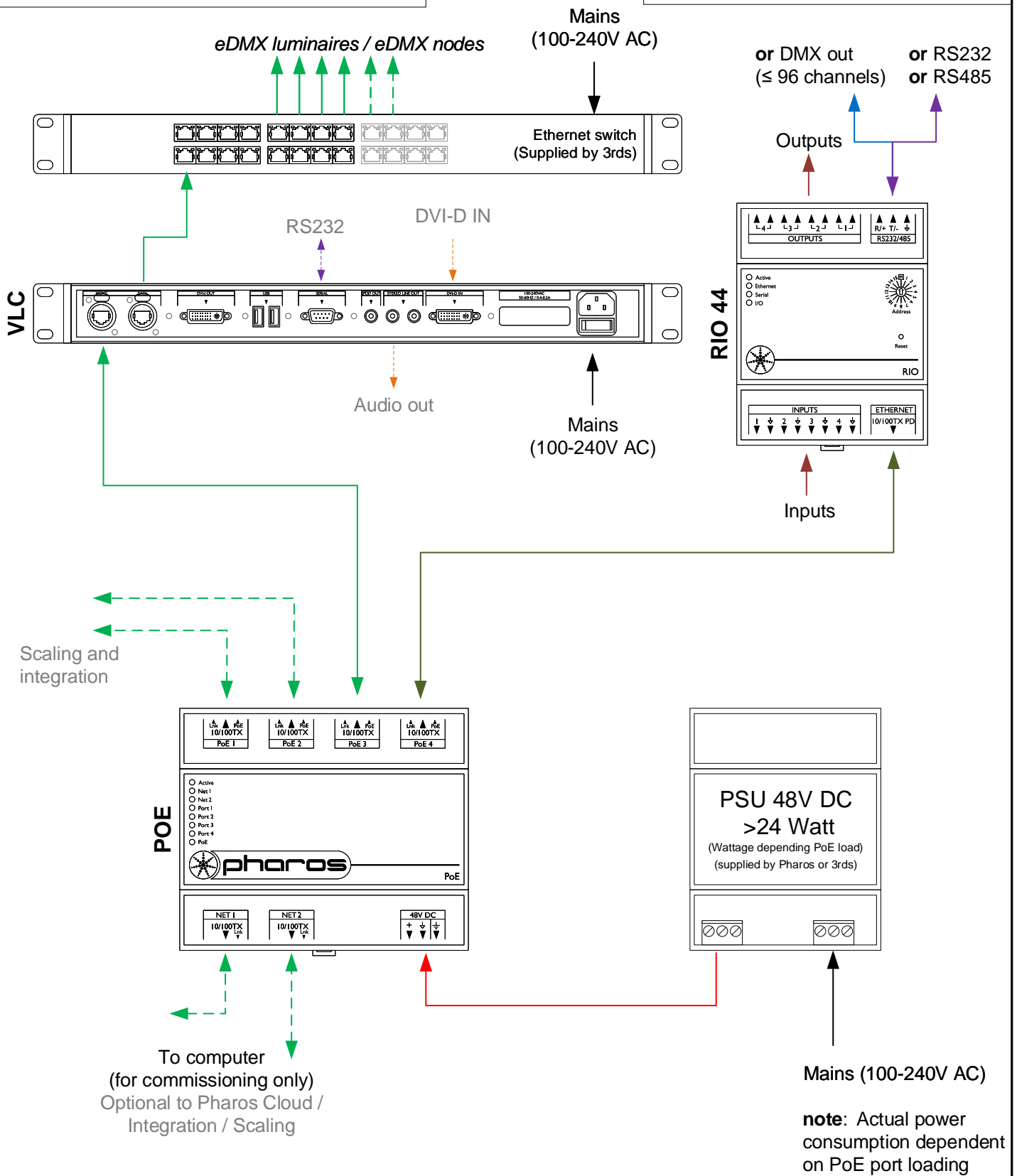


- Consult the **Installation Guide** for technical details
- See **General Notes.pdf** for information on cabling types
- **More configurations** are possible to fulfil any project
- Contact your supplier or visit our website for support


 pharoscontrols.com	Reference:	Name:		
	1503	VLC - RIO 80		
	Size:	Date:	Rev:	Notes:
	A4	27/09/2017	V 1.0	Setup
Page:	17/09/2018	V 1.1	Minor adjustments	
	21/01/2019	V 1.2	Minor adjustments	
	27/05/2021	V 1.3	Minor adjustments	

Type:	VLC ___ (___=50,100,250,500,1000,1500)
eDMX	≤ ___*512 channels
RIO DMX	≤ 96 channels
Total	≤ ___*512 channels

Type:	Inputs	Outputs	Serial Port
RIO 80	8	0	Yes
RIO 44	4	4	Yes
RIO 08	0	8	Yes

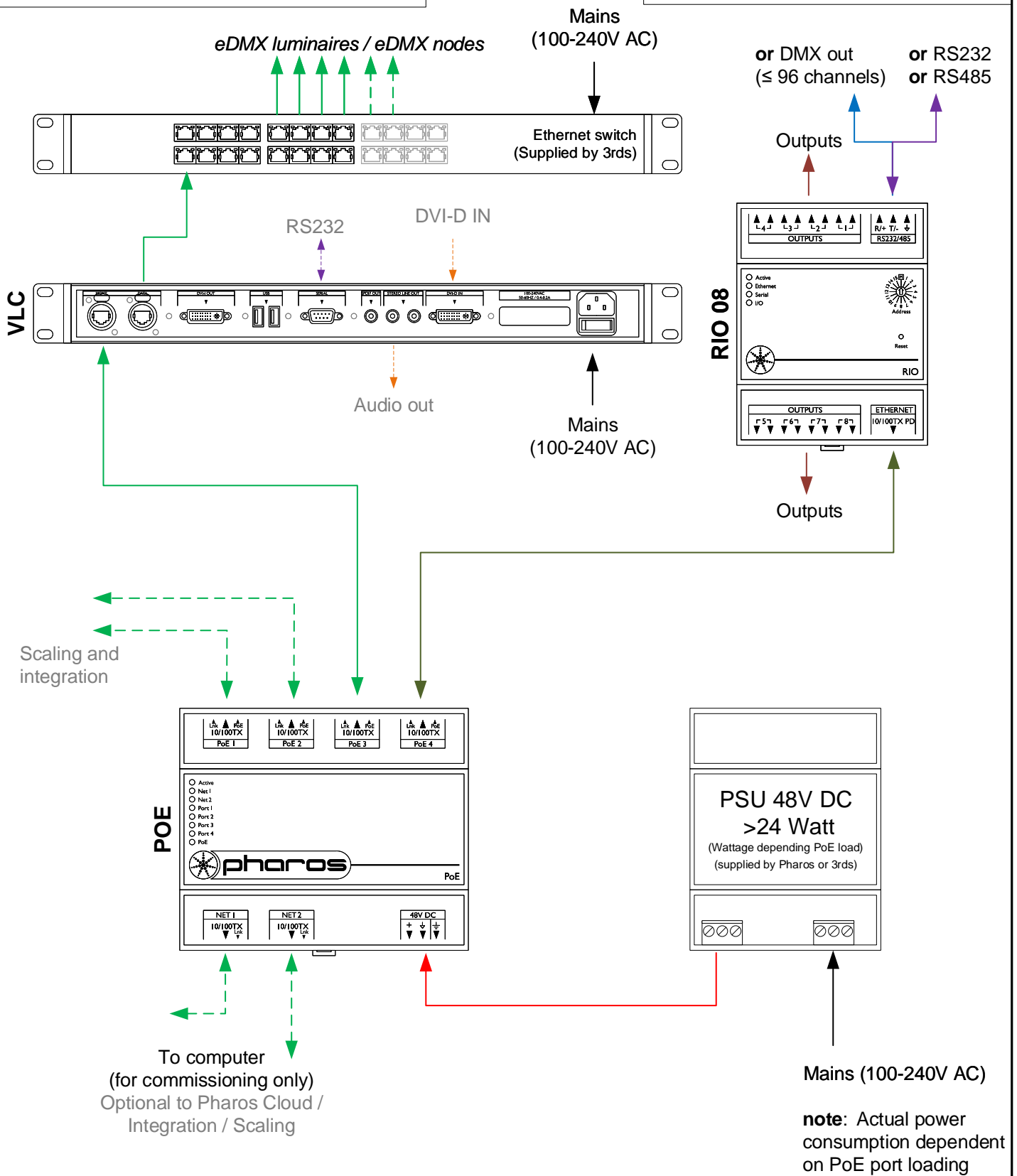


- Consult the **Installation Guide** for technical details
- See **General Notes.pdf** for information on cabling types
- **More configurations** are possible to fulfil any project
- Contact your supplier or visit our website for support

 pharoscontrols.com	Reference: 1504	Name: VLC - RIO 44	
	Size: A4	Date: 27/09/2017	Rev: V 1.0
	Page:	Notes: Setup	Notes: Minor adjustments
		21/01/2019	V 1.2
		27/05/2021	V 1.3

Type:	VLC __ (__=50,100,250,500,1000,1500)
eDMX	≤ __*512 channels
RIO DMX	≤ 96 channels
Total	≤ __*512 channels

Type:	Inputs	Outputs	Serial Port
RIO 80	8	0	Yes
RIO 44	4	4	Yes
RIO 08	0	8	Yes



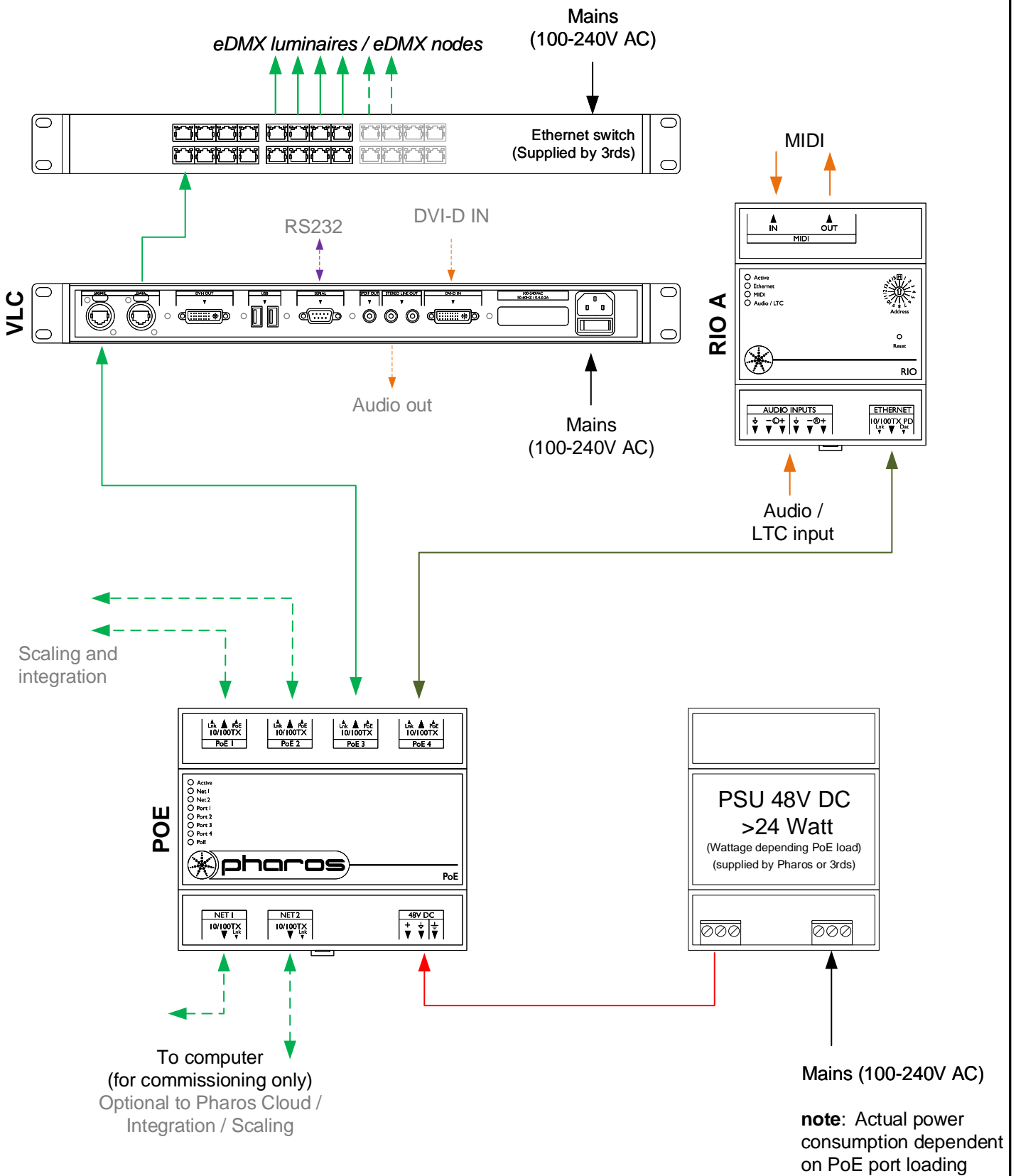
- Consult the **Installation Guide** for technical details
- See **General Notes.pdf** for information on cabling types
- **More configurations** are possible to fulfil any project
- Contact your supplier or visit our website for support




pharoscontrols.com

Reference:	1505		
Name:	VLC - RIO 08		
Size:	Date:	Rev:	Notes:
A4	27/09/2017	V 1.0	Setup
	17/09/2018	V 1.1	Minor adjustments
	21/01/2019	V 1.2	Minor adjustments
	27/05/2021	V 1.3	Minor adjustments

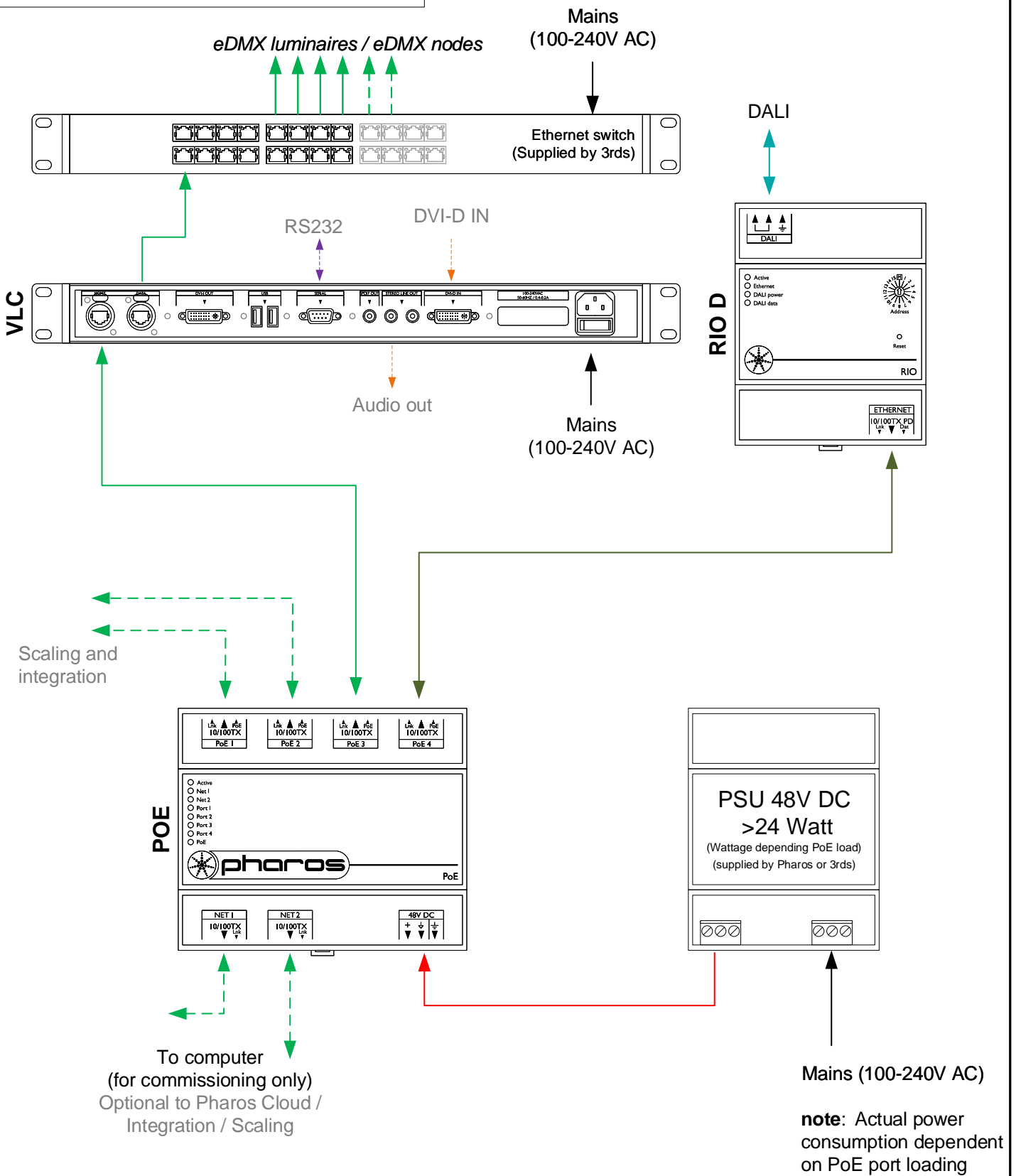
Type: VLC __ (__=50,100,250,500,1000,1500)
 eDMX ≤ __*512 channels
 Total ≤ __*512 channels




- Consult the **Installation Guide** for technical details
- See **General Notes.pdf** for information on cabling types
- **More configurations** are possible to fulfil any project
- Contact your supplier or visit our website for support

 pharoscontrols.com	Reference: 1506	Name: VLC - RIO A		
	Size: A4	Date: 27/09/2017	Rev: V 1.0	
	Page:	17/09/2018	V 1.1	Notes: Setup
		21/01/2019	V 1.2	Minor adjustments
	27/05/2021	V 1.3	Minor adjustments	

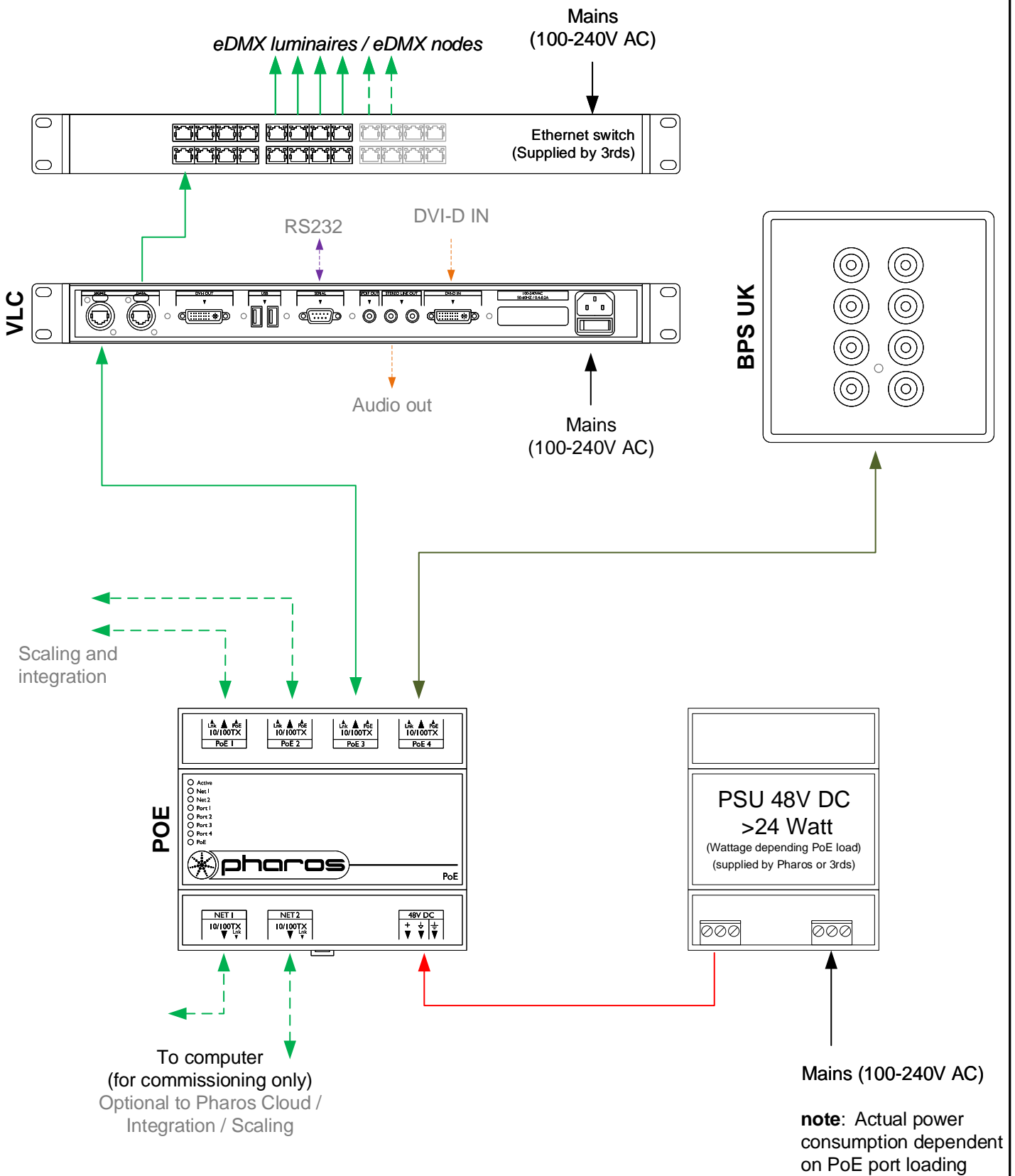
Type: VLC __ (__=50,100,250,500,1000,1500)
 eDMX ≤ __*512 channels
 Total ≤ __*512 channels
 DALI 1 DALI bus (max 64 devices)




- Consult the **Installation Guide** for technical details
- See **General Notes.pdf** for information on cabling types
- **More configurations** are possible to fulfil any project
- Contact your supplier or visit our website for support

 pharoscontrols.com	Reference: 1507	Name: VLC - RIO D		
	Size: A4	Date: 27/09/2017	Rev: V 1.0	
	Page:	17/09/2018	V 1.1	Notes: Setup
		21/01/2019	V 1.2	Minor adjustments
	27/05/2021	V 1.3	Minor adjustments	

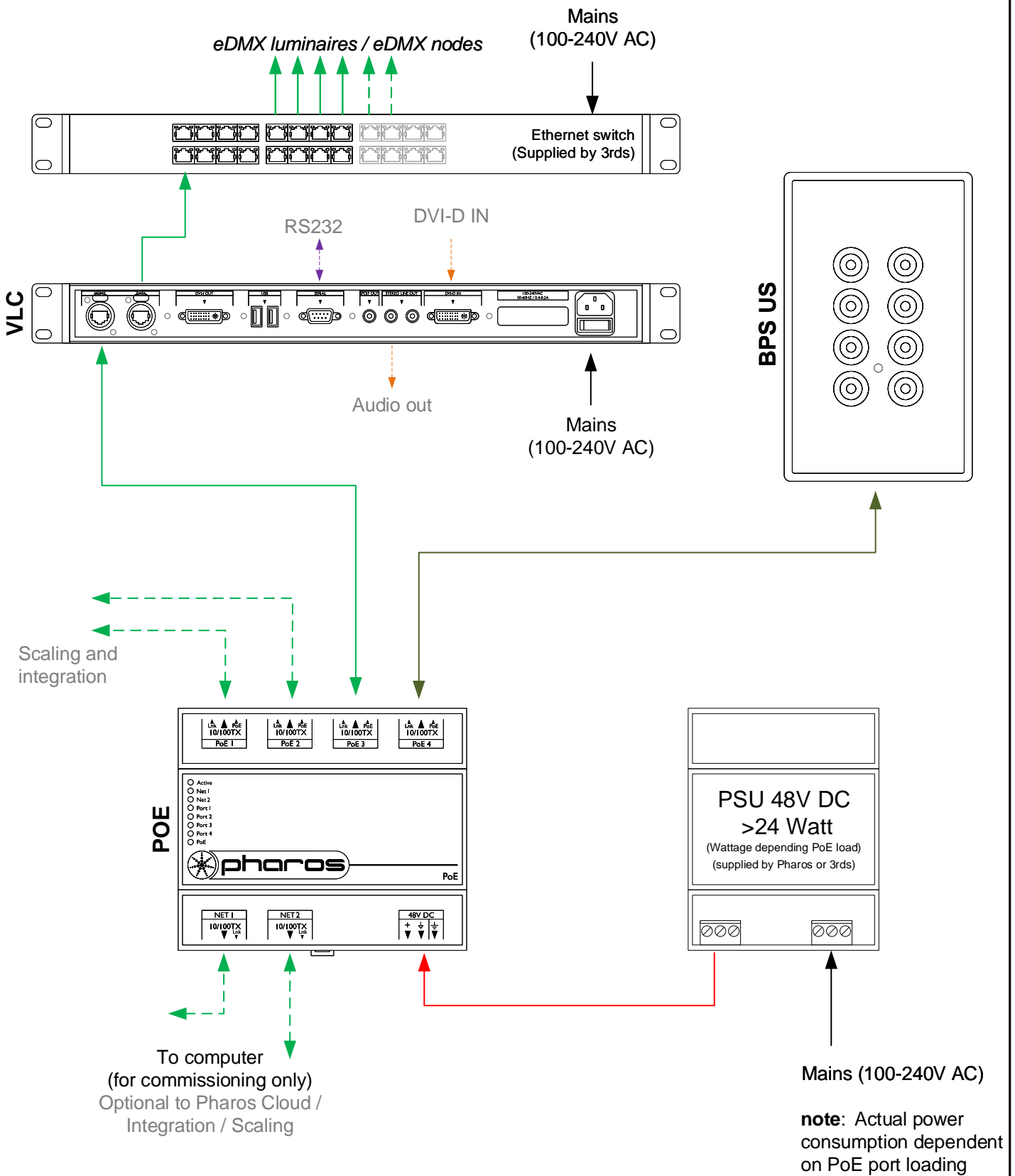
Type: VLC __ (__=50,100,250,500,1000,1500)
 eDMX ≤ __ *512 channels
 Total ≤ __ *512 channels




- Consult the **Installation Guide** for technical details
- See **General Notes.pdf** for information on cabling types
- **More configurations** are possible to fulfil any project
- Contact your supplier or visit our website for support

 pharoscontrols.com	Reference: 1508	Name: VLC - BPS UK		
	Size: A4	Date: 27/09/2017	Rev: V 1.0	
	Page:	17/09/2018	V 1.1	Notes: Setup
		21/01/2019	V 1.2	Minor adjustments
	27/05/2021	V 1.3	Minor adjustments	

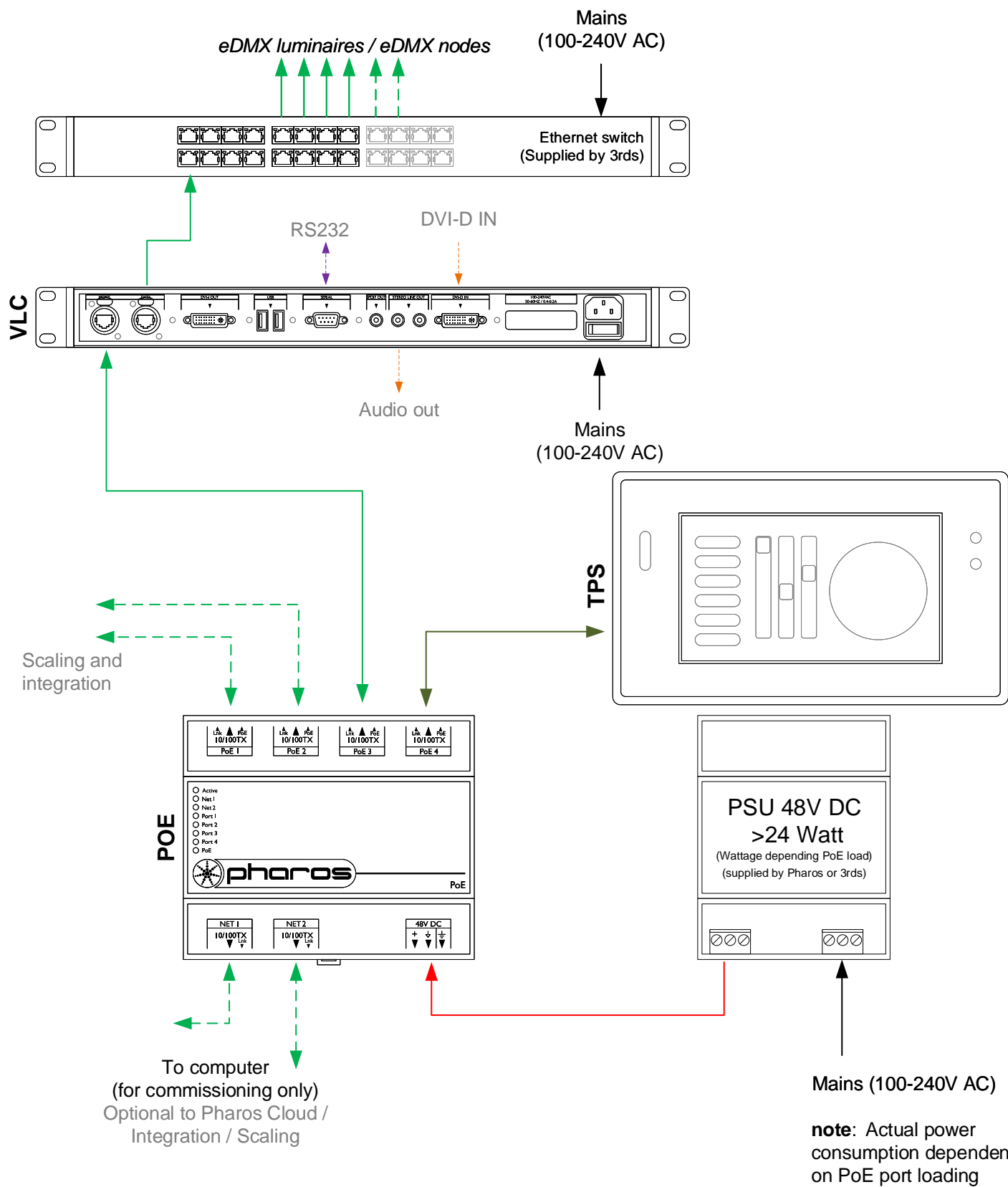
Type: VLC __ (__=50,100,250,500,1000,1500)
 eDMX ≤ __ *512 channels
 Total ≤ __ *512 channels




- Consult the **Installation Guide** for technical details
- See **General Notes.pdf** for information on cabling types
- **More configurations** are possible to fulfil any project
- Contact your supplier or visit our website for support

 pharoscontrols.com	Reference: 1509	Name: VLC - BPS US		
	Size: A4	Date: 27/09/2017	Rev: V 1.0	
	Page:	Notes: Setup		
		Notes: Minor adjustments		
	21/01/2019	V 1.2	Minor adjustments	
	27/05/2021	V 1.3	Minor adjustments	

Type: VLC __ (__=50,100,250,500,1000,1500)
 eDMX ≤ __*512 channels
 Total ≤ __*512 channels



- Consult the **Installation Guide** for technical details
- See **General Notes.pdf** for information on cabling types
- **More configurations** are possible to fulfil any project
- Contact your supplier or visit our website for support

 pharoscontrols.com	Reference: 1510	Name: VLC - TPS		
	Size: A4	Date: 27/09/2017	Rev: V 1.0	
	Page:	17/09/2018	V 1.1	Notes: Setup
		21/01/2019	V 1.2	Minor adjustments
	27/05/2021	V 1.3	Minor adjustments	