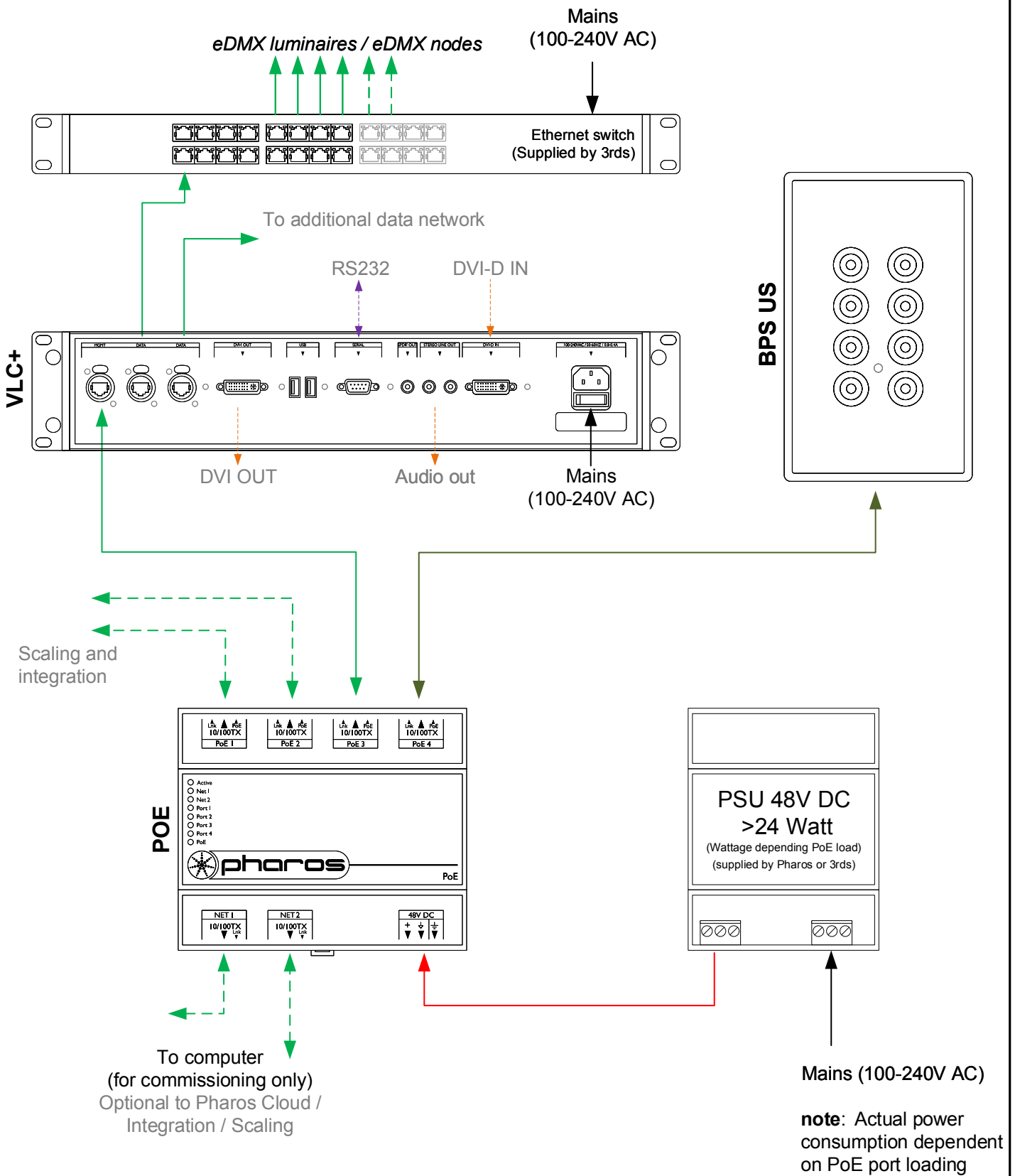



Type: VLC+ ___ (___ =50,100,250,500,1000,150,3000)
 eDMX ≤ ___ *512 channels
 Total ≤ ___ *512 channels



- Consult the **Installation Guide** for technical details
- See **General Notes.pdf** for information on cabling types
- **More configurations** are possible to fulfil any project
- Contact your supplier or visit our website for support

 pharoscontrols.com	Reference: 1609	Name: VLC+ - BPS US	
	Size: A4	Date: 27/09/2017	Rev: V 1.0
	Page:	Notes: Setup	Notes: Setup
		27/05/2021	V 1.3
			Minor adjustments