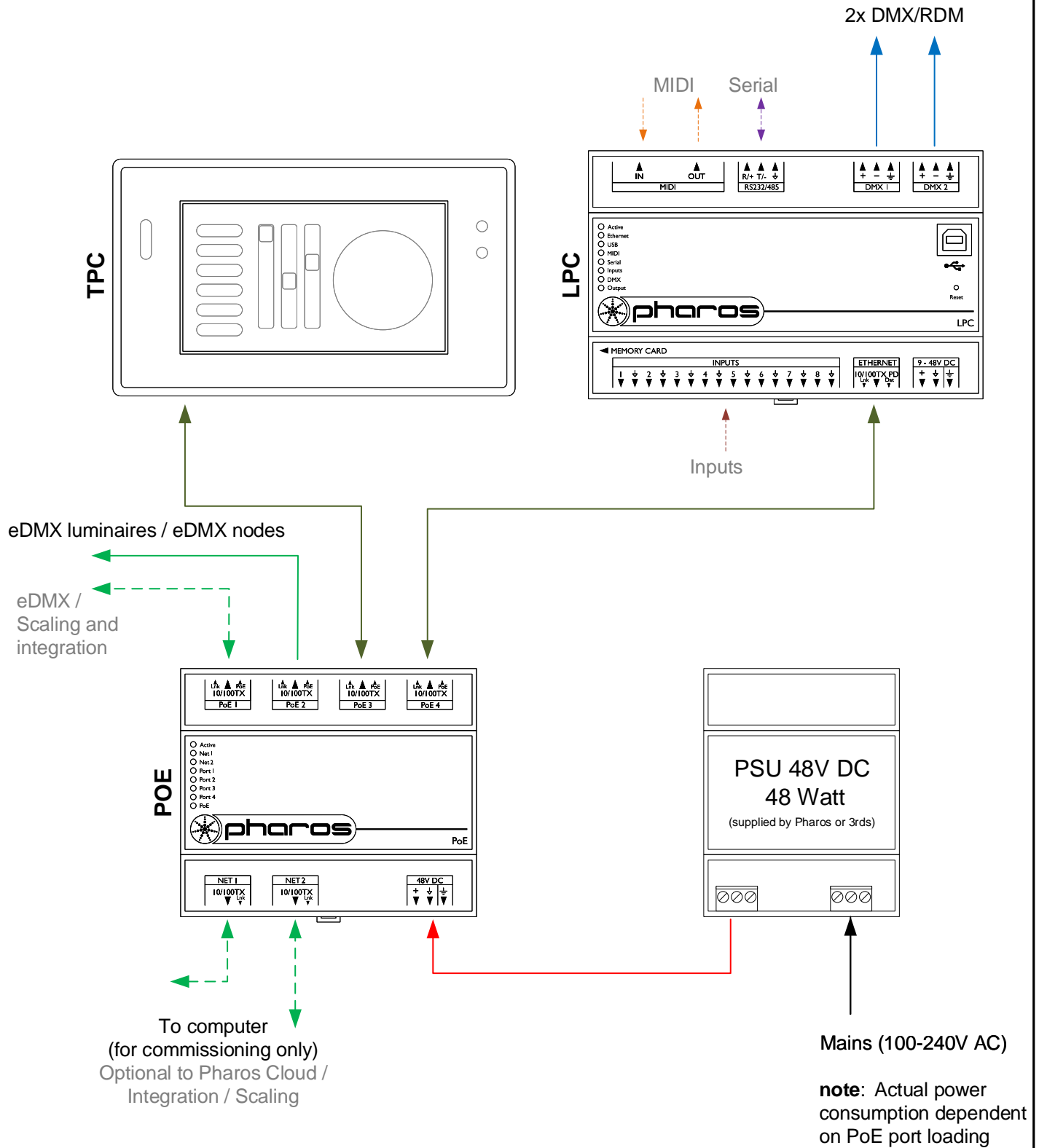



Type:	TPC & LPC 1	TPC & LPC 2	TPC & LPC 4
DMX 1	≤ 512 channels	≤ 512 channels	≤ 512 channels
DMX 2	≤ 512 channels*	≤ 512 channels	≤ 512 channels
eDMX	≤ 1024 channels	≤ 1,536 channels	≤ 2,560 channels
Total	≤ 1024 channels	≤ 1,536 channels	≤ 2,560 channels

*Using 'DMX proxy' feature

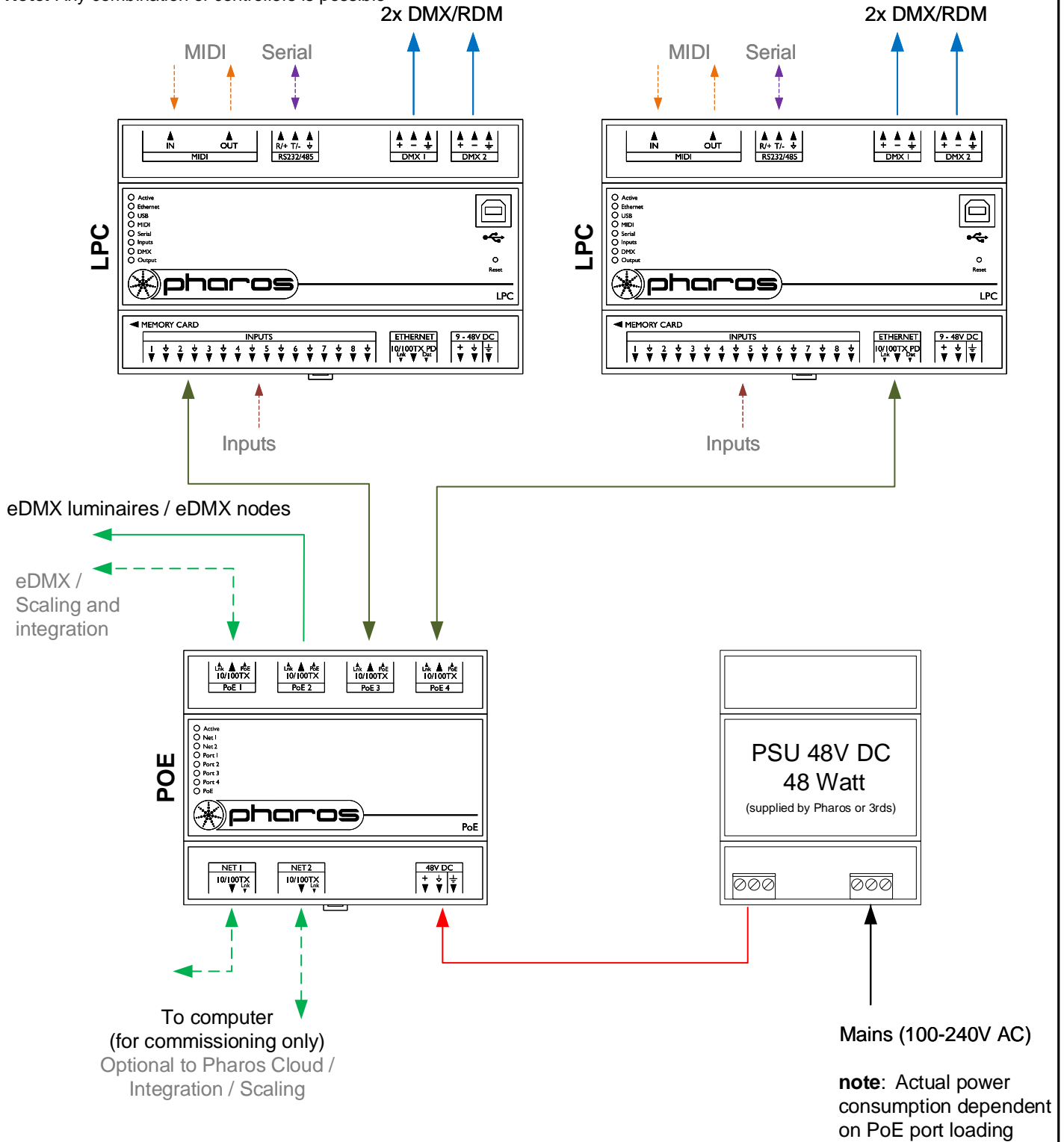


- Consult the **Installation Guide** for technical details
- See **General Notes.pdf** for information on cabling types
- **More configurations** are possible to fulfil any project
- Contact your supplier or visit our website for support

 pharoscontrols.com	Reference: 2001	Name: TPC & LPC		
	Size: A4	Date: 07/11/2016	Rev: V 1.0	
	Page:	17/09/2018	V 1.1	Notes: Setup
		21/01/2019	V 1.2	Minor adjustments
	27/05/2021	V 1.3	Minor adjustments	

Type:	2x LPC 1	2x LPC 2	2x LPC 4
1:DMX 1	≤ 512 channels	≤ 512 channels	≤ 512 channels
1:DMX 2	Clone to DMX1	≤ 512 channels	≤ 512 channels
2:DMX 1	≤ 512 channels	≤ 512 channels	≤ 512 channels
2:DMX 2	Clone to DMX1	≤ 512 channels	≤ 512 channels
eDMX	≤ 1,024 channels	≤ 2,048 channels	≤ 4,096 channels
Total	≤ 1,024 channels	≤ 2,048 channels	≤ 4,096 channels

Note: Any combination of controllers is possible



- Consult the **Installation Guide** for technical details
- See **General Notes.pdf** for information on cabling types
- **More configurations** are possible to fulfil any project
- Contact your supplier or visit our website for support



pharoscontrols.com

Reference:
2002

Size:
A4

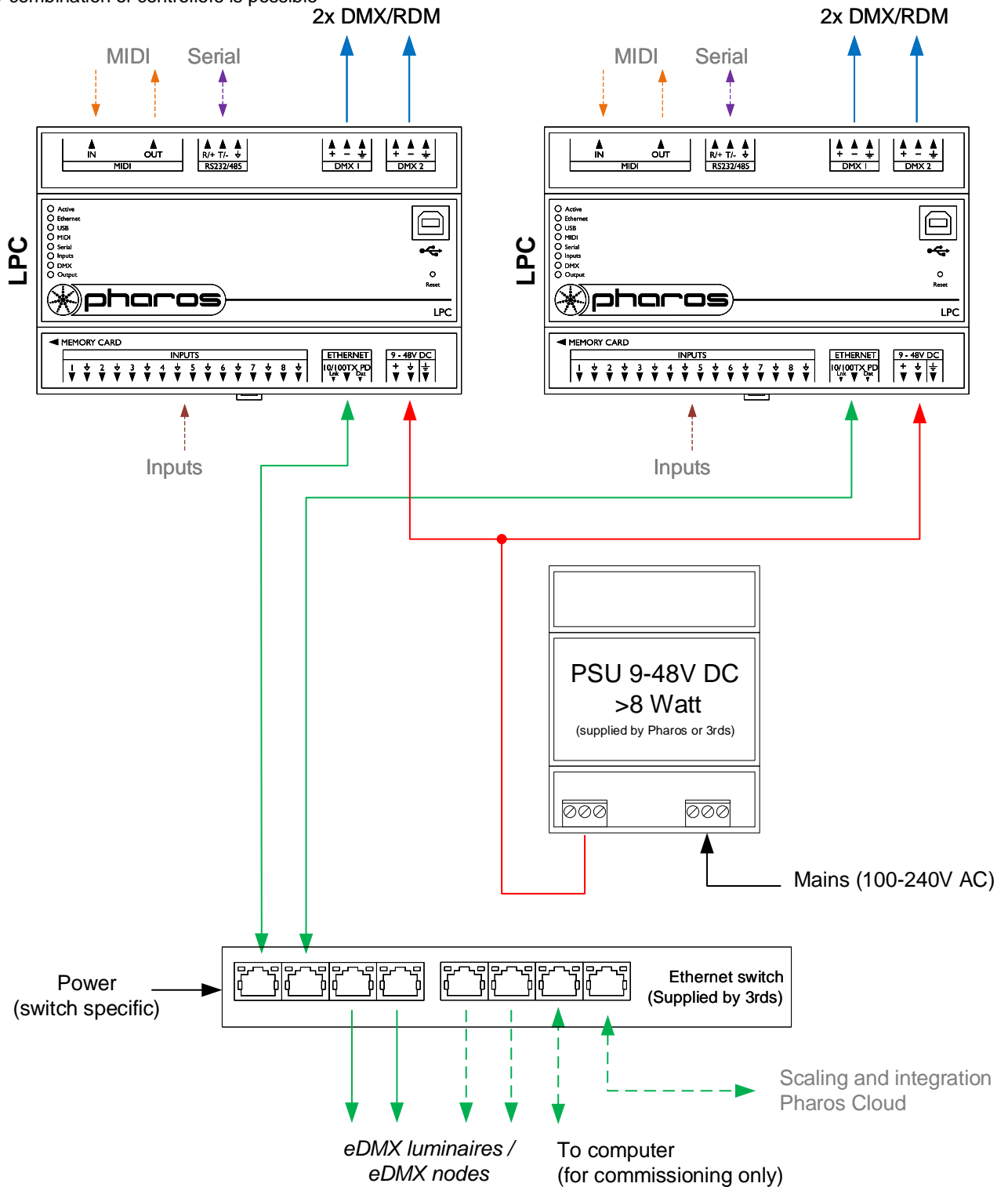
Page:

Name:
2x LPC - POE


Date:	Rev:	Notes:
07/11/2016	V 1.0	Setup
17/09/2018	V 1.1	Minor adjustments
21/01/2019	V 1.2	Minor adjustments
27/05/2021	V 1.3	Minor adjustments

Type:	2x LPC 1	2x LPC 2	2x LPC 4
1:DMX 1	≤ 512 channels	≤ 512 channels	≤ 512 channels
1:DMX 2	Clone to DMX1	≤ 512 channels	≤ 512 channels
2:DMX 1	≤ 512 channels	≤ 512 channels	≤ 512 channels
2:DMX 2	Clone to DMX1	≤ 512 channels	≤ 512 channels
eDMX	≤ 1,024 channels	≤ 2,048 channels	≤ 4,096 channels
Total	≤ 1,024 channels	≤ 2,048 channels	≤ 4,096 channels

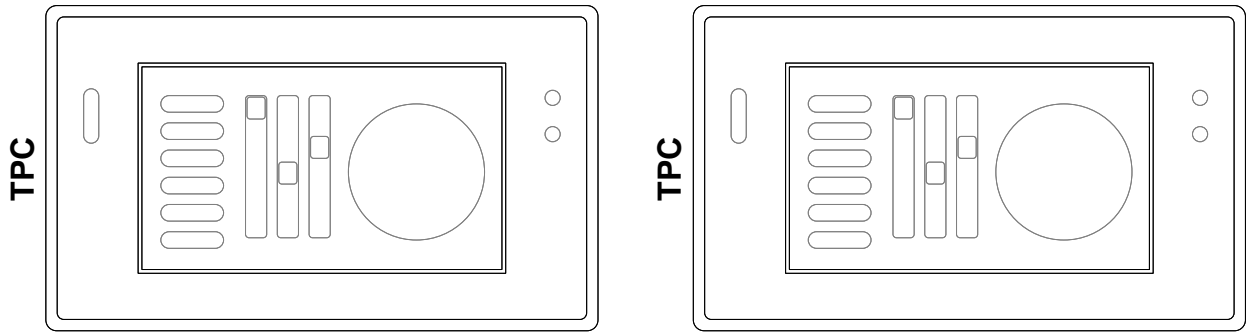
Note: Any combination of controllers is possible



- Consult the **Installation Guide** for technical details
- See **General Notes.pdf** for information on cabling types
- **More configurations** are possible to fulfil any project
- Contact your supplier or visit our website for support

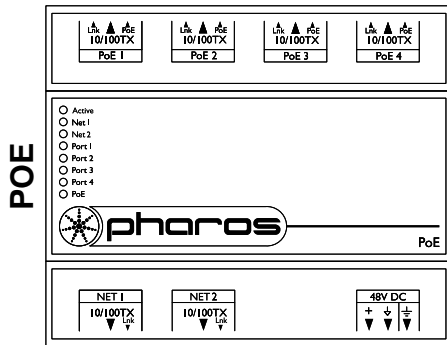
 pharoscontrols.com	Reference: 2003	Name: 2x LPC (DC power)		
	Size: A4	Date: 07/11/2016	Rev: V 1.0	Notes: Setup
	Page:	17/09/2018	V 1.1	Minor adjustments
		21/01/2019	V 1.2	Minor adjustments
	27/05/2021	V 1.3	Minor adjustments	

Type: 2x TPC
DMX (via eDMX to DMX nodes or EXT)
eDMX ≤ 1,024 channels
Total ≤ 1,024 channels

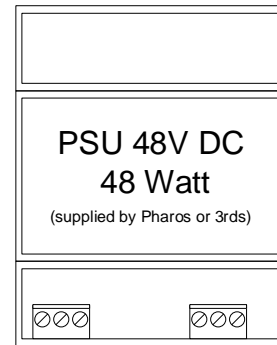


eDMX luminaires / eDMX nodes

eDMX /
Scaling and
integration



To computer
(for commissioning only)
Optional to Pharos Cloud /
Integration / Scaling



Mains (100-240V AC)

note: Actual power
consumption dependent
on PoE loading

- Consult the **Installation Guide** for technical details
- See **General Notes.pdf** for information on cabling types
- **More configurations** are possible to fulfil any project
- Contact your supplier or visit our website for support



pharoscontrols.com

Reference:
2004

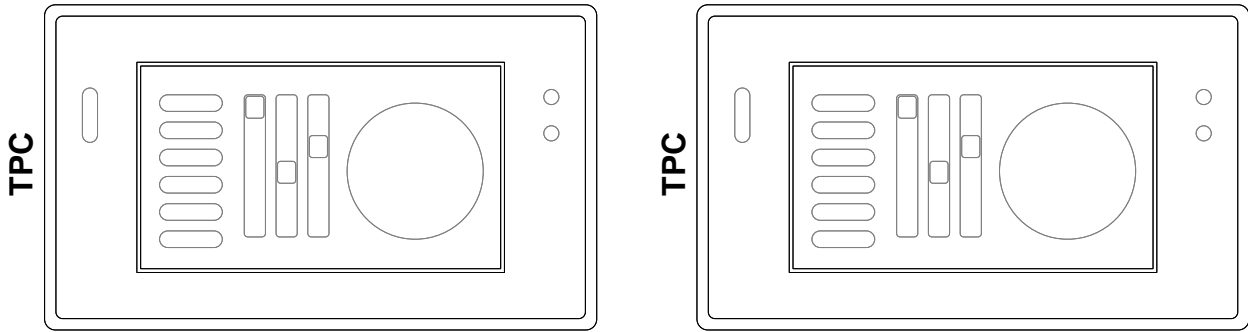
Size:
A4

Page:

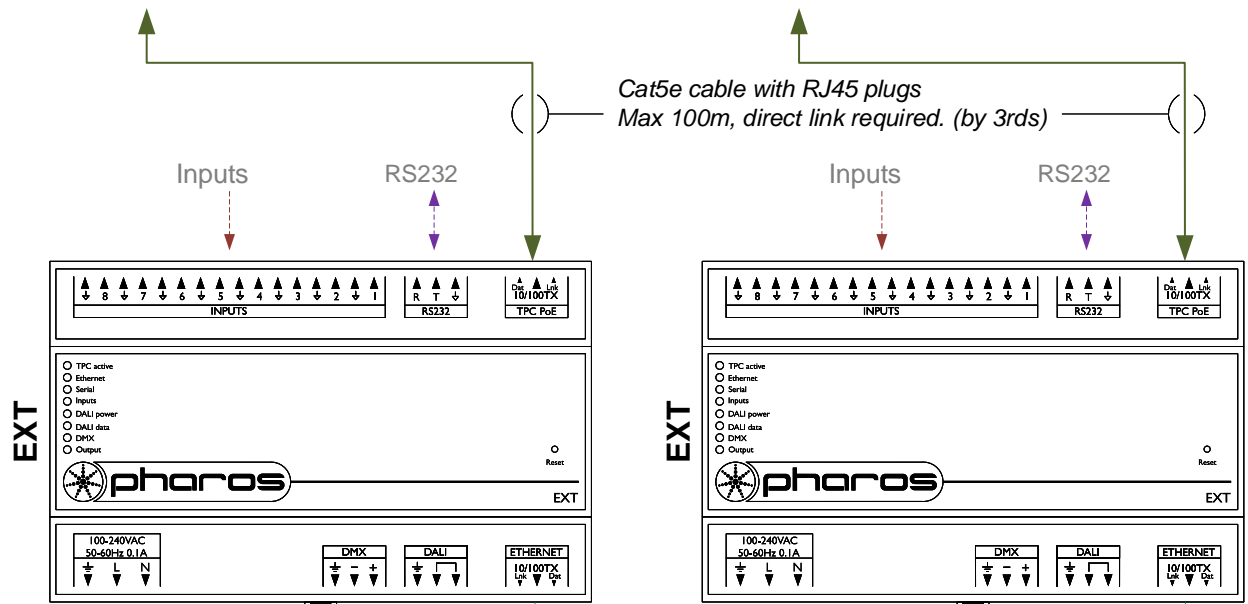
Name:
2x TPC

Date:	Rev:	Notes:
07/11/2016	V 1.0	Setup
17/09/2018	V 1.1	Minor adjustments
21/01/2019	V 1.2	Minor adjustments
27/05/2021	V 1.3	Minor adjustments

Type: 2x TPC + EXT
 1:DMX ≤ 512 channels
 2:DMX ≤ 512 channels
 eDMX ≤ 1,024 channels
Total ≤ 1,024 channels
DALI 2 DALI busses (max 2x64 devices)



Cat5e cable with RJ45 plugs
 Max 100m, direct link required. (by 3rds)



Mains (100-240V AC)
 10 Watt

DMX/RDM

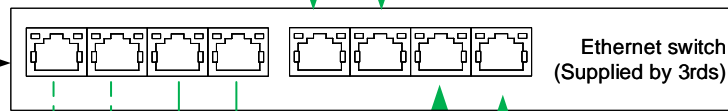
DALI

Mains (100-240V AC)
 10 Watt

DMX/RDM

DALI

Power
 (switch specific)



eDMX luminaires /
 eDMX nodes

To computer
 (for commissioning only)

Scaling and integration
 Pharos Cloud

- Consult the **Installation Guide** for technical details
- See **General Notes.pdf** for information on cabling types
- **More configurations** are possible to fulfil any project
- Contact your supplier or visit our website for support



pharoscontrols.com

Reference:
 2005

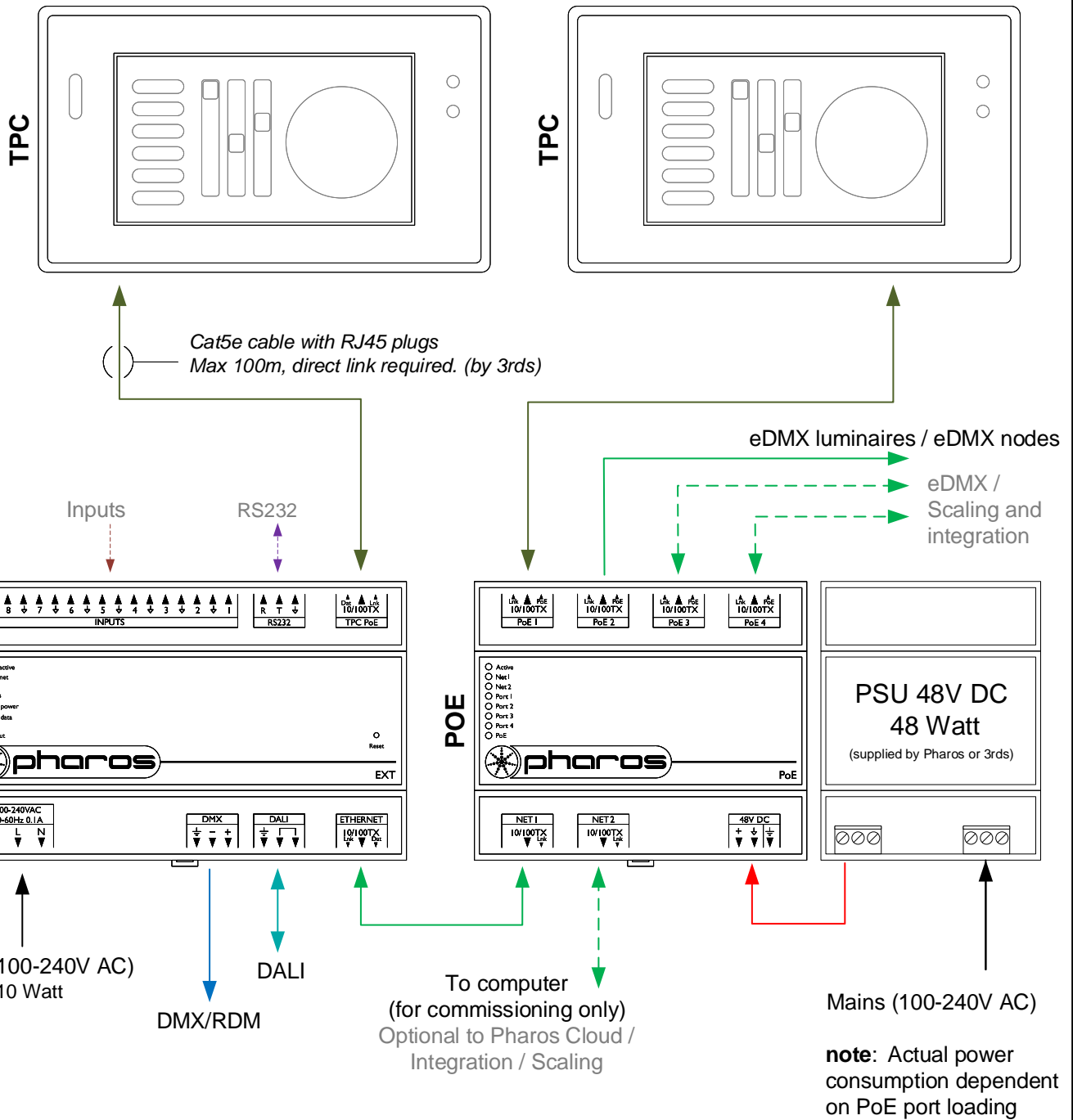
Size:
 A4

Page:

Name:
 2x TPC + EXT

Date:	Rev:	Notes:
07/11/2016	V 1.0	Setup
17/09/2018	V 1.1	Minor adjustments
21/01/2019	V 1.2	Minor adjustments
27/05/2021	V 1.3	Minor adjustments

Type: TPC & TPC + EXT
DMX ≤ 512 channels
eDMX ≤ 1,024 channels
Total ≤ 1,024 channels
DALI 1 DALI bus (max 64 devices)



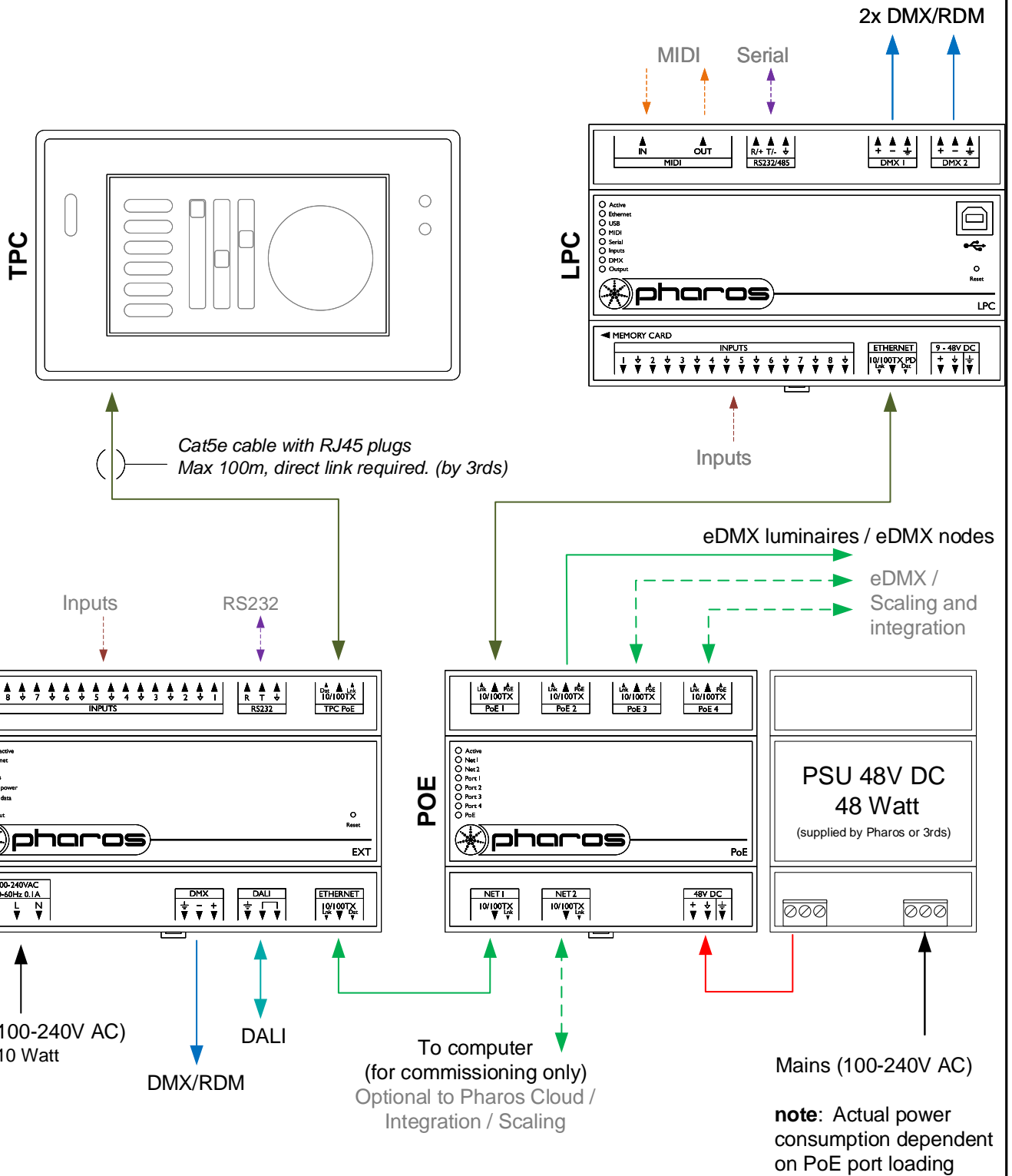
- Consult the **Installation Guide** for technical details
- See **General Notes.pdf** for information on cabling types
- **More configurations** are possible to fulfil any project
- Contact your supplier or visit our website for support



pharoscontrols.com

Reference: 2006	Name: TPC & TPC + EXT		
Size: A4	Date:	Rev:	Notes:
Page:	07/11/2016	V 1.0	Setup
	17/09/2018	V 1.1	Minor adjustments
	21/01/2019	V 1.2	Minor adjustments
	27/05/2021	V 1.3	Minor adjustments

Type:	TPC+EXT & LPC 1	TPC+EXT & LPC 2	TPC+EXT & LPC 4
EXT: DMX	≤ 512 channels	≤ 512 channels	≤ 512 channels
LPC:DMX1	≤ 512 channels	≤ 512 channels	≤ 512 channels
LPC:DMX2 DMX1/EXT clone	≤ 512 channels	≤ 512 channels	≤ 512 channels
eDMX	≤ 1,024 channels	≤ 1,536 channels	≤ 2,560 channels
Total	≤ 1,024 channels	≤ 1,536 channels	≤ 2,560 channels
DALI	1 DALI bus (max 1x64 devices)		



- Consult the **Installation Guide** for technical details
- See **General Notes.pdf** for information on cabling types
- **More configurations** are possible to fulfil any project
- Contact your supplier or visit our website for support



pharoscontrols.com

Reference: 2007	Name: TPC + EXT & LPC		
Size: A4	Date:	Rev:	Notes:
Page:	07/11/2016	V 1.0	Setup
	17/09/2018	V 1.1	Minor adjustments
	21/01/2019	V 1.2	Minor adjustments
	27/05/2021	V 1.3	Minor adjustments