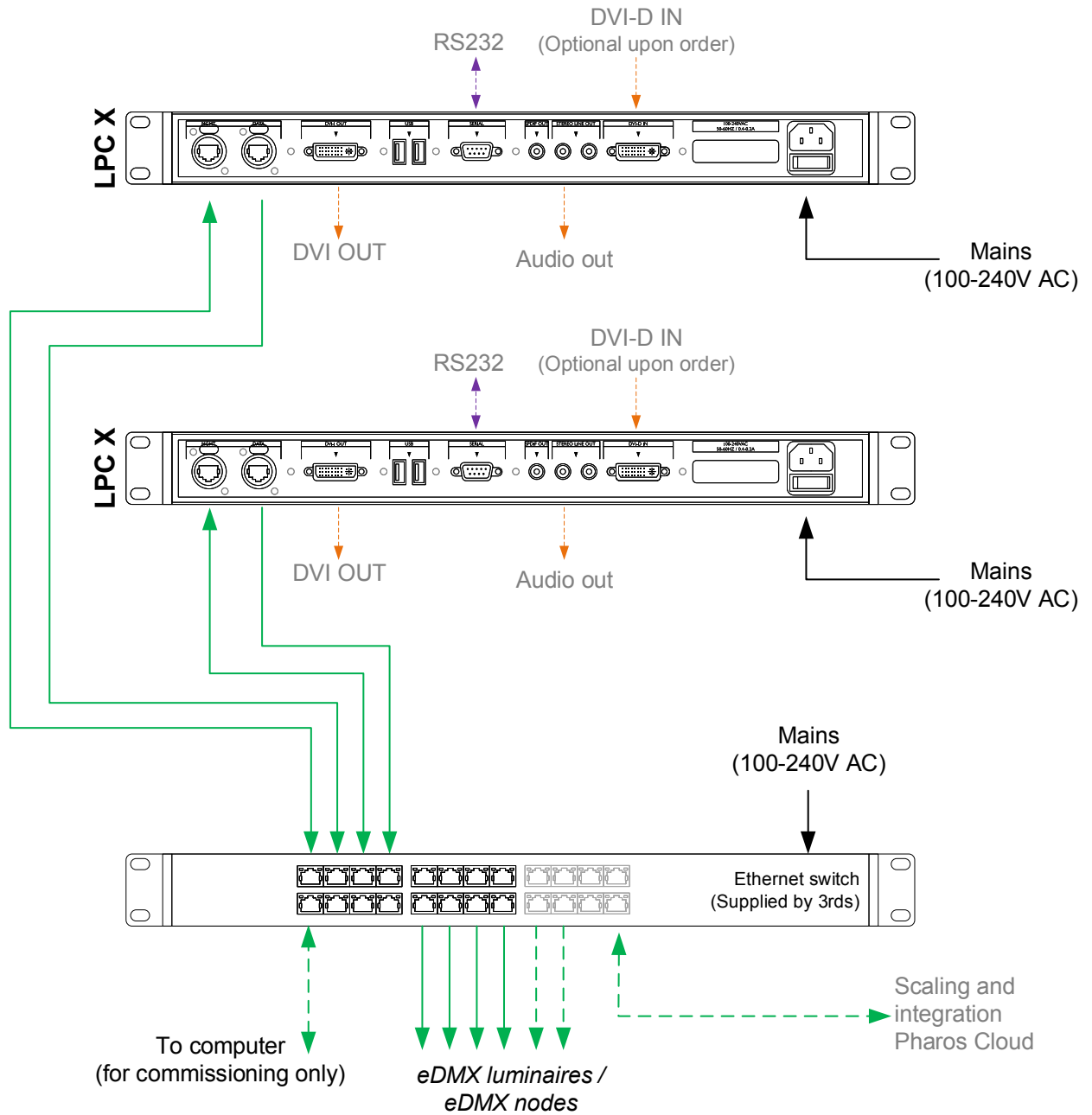


**Type:** 2x LPC X (X=10,20,30...100) (e.g. LPC 80 and LPC 70)  
**DMX** via eDMX to DMX nodes  
**eDMX** ≤ X \*512 channels (1<sup>st</sup> LPC X) + X \*512 channels (2<sup>nd</sup> LPC X)  
**Total** ≤ (X + X) \*512 (DMX via eDMX Nodes)

**Note:** All channels are part of the same project / show. The DVI-D input is local to the LPC X channels.



- Consult the **Installation Guide** for technical details
- See **General Notes.pdf** for information on cabling types
- **More configurations** are possible to fulfil any project
- Contact your supplier or visit our website for support



pharoscontrols.com

Reference:  
2201

Size:  
A4

Page:

Name:  
2x LPC X (single network)

Date:	Rev:	Notes:
17/09/2018	V 1.0	Setup
21/01/2019	V 1.2	Setup
27/05/2021	V 1.3	Minor adjustments