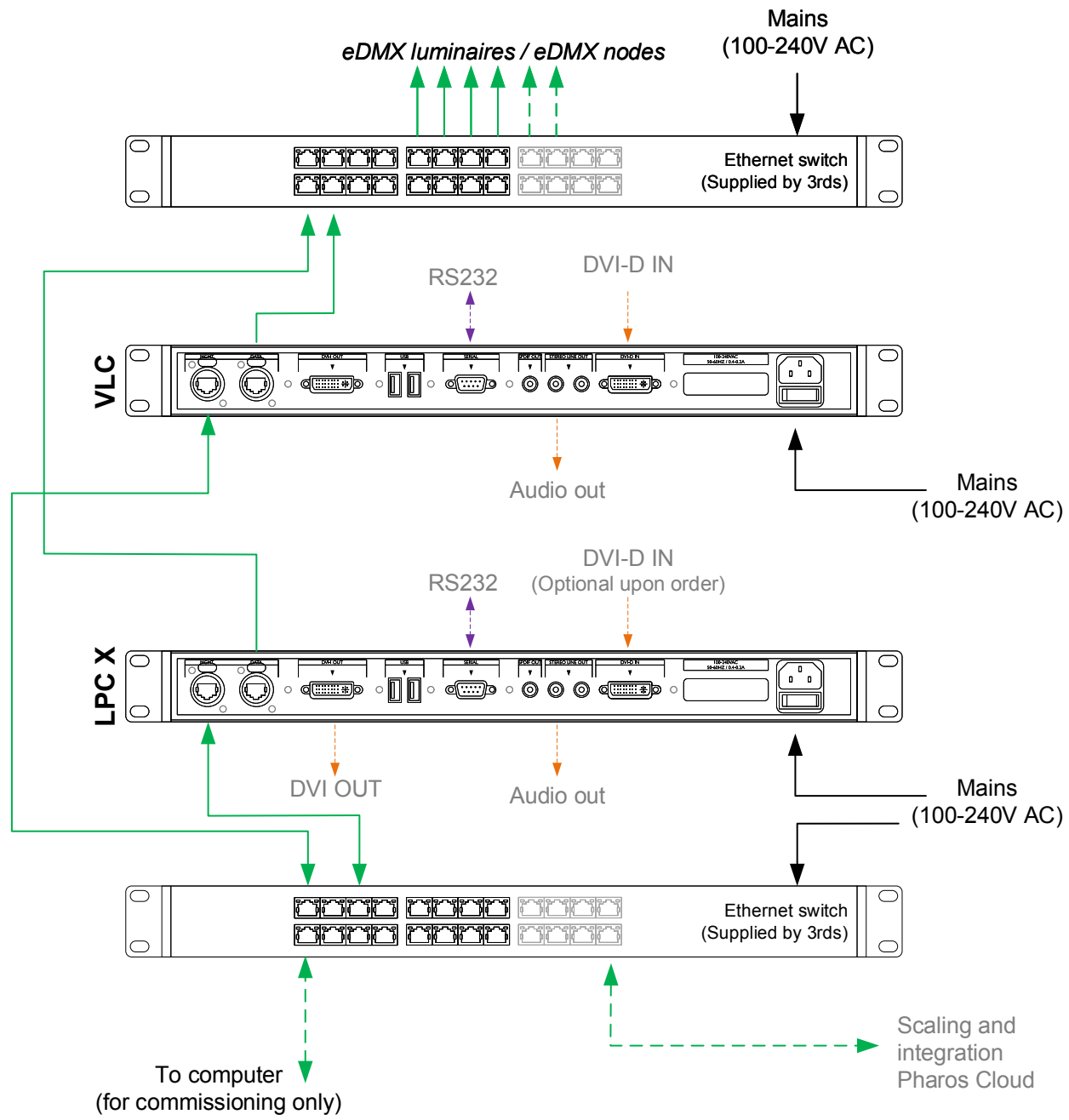



Type:	VLC__ (__=50,100,250,500,1000,1500) (e.g. VLC100)
eDMX	≤ __*512 (DMX via eDMX Nodes)
Total	≤ __*512 (e.g. 51,200 channels)
Type:	LPC X(X=10,20,30...100) (e.g. LPC 100)
eDMX	≤ X*512 (e.g. 51,200 channels) (DMX via eDMX Nodes)
Total	≤ X*512 (e.g. 51,200 channels)

Note: The VLC and LPC can be programmed and triggered in the same project. VLC channels are used to control a single composition of fixtures. The DVI-D input is local to the controllers channels. A VLC can create plenty of network traffic, this setup works for smaller VLC only.



- Consult the **Installation Guide** for technical details
- See **General Notes.pdf** for information on cabling types
- **More configurations** are possible to fulfil any project
- Contact your supplier or visit our website for support

 pharoscontrols.com	Reference: 2211	Name: LPC X & VLC (dual network)		
	Size: A4	Date: 17/09/2018	Rev: V 1.0	
	Page:	21/01/2019	V 1.2	Setup
		27/05/2021	V 1.3	Minor adjustments