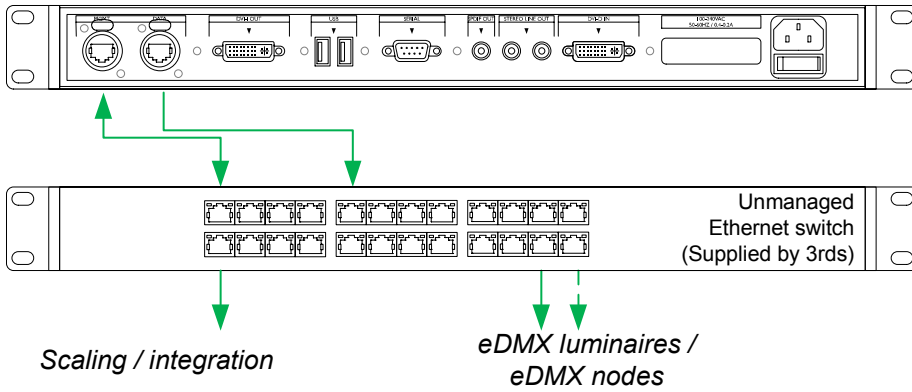


19"controller with 2 network ports

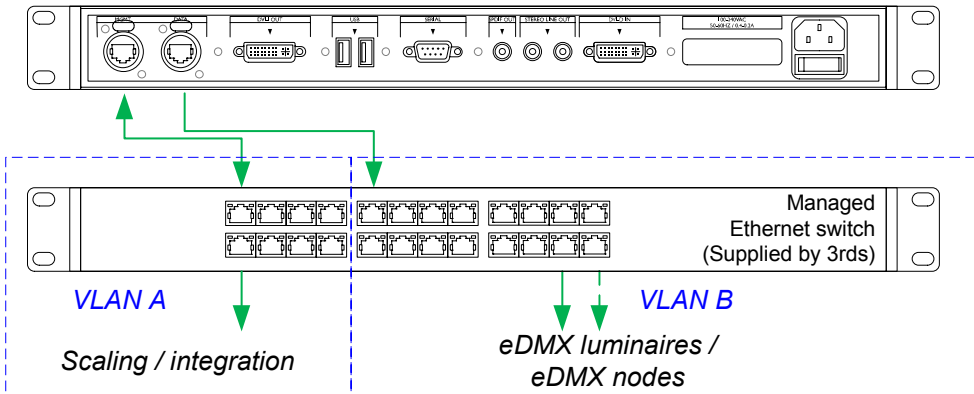


Single network Unmanaged switch

Mgmt Network: IP range A
 Data Network: IP range A
OK
 OK for simple installations, but can cause issues with advanced ethernet triggering

Mgmt Network: IP range A
 Data Network: IP range B
OK
 OK for standalone installations, but frowned upon by IT specialists for larger or integrated networks.

19"controller with 2 network ports

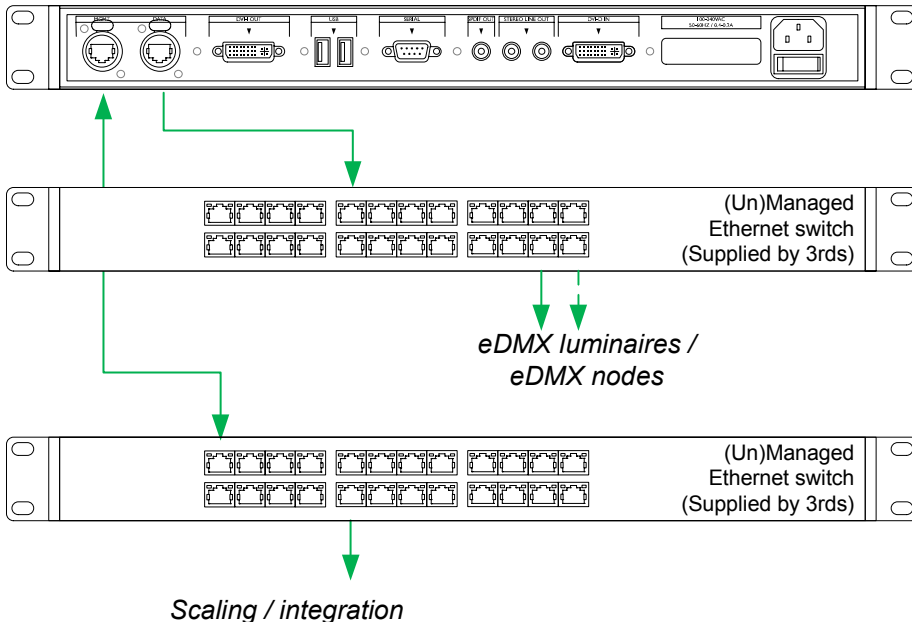


Single network Managed switch with VLANs

Mgmt Network: IP range A
 Data Network: IP range B
OK

Mgmt Network: IP range A
 Data Network: IP range A
NOT OK
 When on two (virtual) networks, the controller requires different subnets

19"controller with 2 network ports



Dual network

Mgmt Network: IP range A
 Data Network: IP range B
OK

Mgmt Network: IP range A
 Data Network: IP range A
NOT OK
 When on two networks, the controller requires different subnets



pharoscontrols.com

Reference:
9501

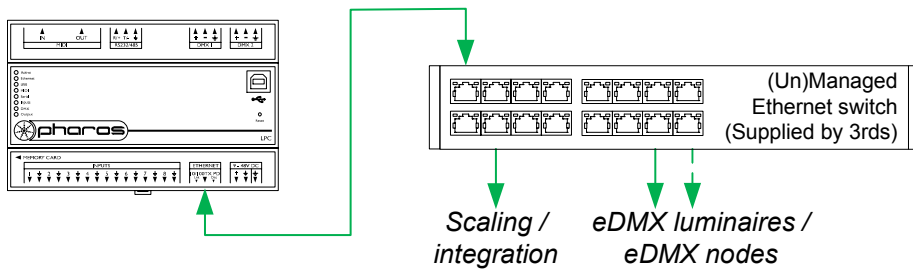
Size:
A4

Page:
1 of 2

Name:
19" examples

Date:	Rev:	Notes:
19/09/2018	V 1.0	Initial version
31/03/2019	V 1.1	Notes update

LPC / TPC / TPC+ EXT



(Un)Managed switch

Controller Network IP range A
 Network 2 (protocol): Disabled
OK

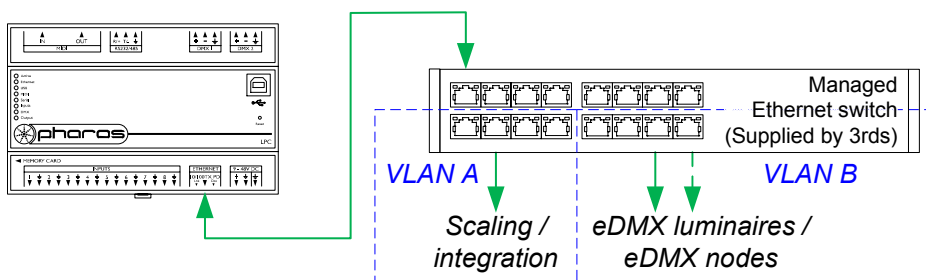
Controller Network IP range A
 Network 2 (protocol): IP range B
 VLAN Tag: None
OK

OK for standalone installations, but frowned upon by IT specialists for larger or integrated networks.

Controller Network IP range A
 Network 2 (protocol): IP range A
 VLAN Tag: None
OK

Works, but no valid reason to setup your system like this.

LPC / TPC / TPC+ EXT



Managed switch (VLAN tagging)

Controller Network IP range A
 Network 2 (protocol): IP range B
 VLAN Tag: Yes
OK

Controller Network IP range A
 Network 2 (protocol): IP range A
 VLAN Tag: Yes

NOT OK

When on two (virtual) networks, the controller requires different subnets

VLAN Tagging setup (802.1Q)

Setup in Designer

"Network 2 (Protocol)" with VLAN Tag(B)

Setup in Switch

Port(s): LPC/TPC/TPC+EXT:
 Port(s): scaling/integration/pgramming:
 Port(s): eDMX luminaires/nodes:

	VLAN Configuration	PVID (tag incoming)	VLAN membership	
			VLAN (A)	VLAN (B)
Port(s): LPC/TPC/TPC+EXT:	A, B	Tag VLAN (A)	Untag	Tag
Port(s): scaling/integration/pgramming:	A	Tag VLAN (A)	Untag	
Port(s): eDMX luminaires/nodes:	B	Tag VLAN (B)		Untag



pharoscontrols.com

Reference:
9502

Size:
A4

Page:
2 of 2

Name:
LPC/TPC examples

Date:	Rev:	Notes:
19/09/2018	V 1.0	Initial version
31/03/2019	V 1.1	Notes update