

Overview



The Pharos VLC+ (Video Lighting Controller Plus) is designed to control the world's largest lighting façade projects. It renders multiple layers of effects and video from internal storage or live input and features processing, including rotation and masking. Up to 3,000 universes of eDMX and DVI-D can be output from a single unit with integrated show control.

Features



High Capacity

Big just got a whole lot easier. The VLC+ can output all commonly used eDMX protocols over Gigabit Ethernet as well as providing its full canvas over DVI-D, and there are no restrictions on using these protocols simultaneously. The VLC+ renders effects and video from internal storage or live input onto a canvas up to 16,000 pixels wide or high, and can output up to 3,000 universes of eDMX from a single unit. This can integrate well with the EDN20, which allows 20 universes of eDMX per node.



Render Engine

Make your light fixtures a canvas onto which you can paint with a compositions of creative effects and full HD video playback, including dynamic rotation, translation and masking. The Designer software allows you to build your fixture layout fast with pixel-precise adjustment. Then use individually controllable and independently running timelines to build dynamic, striking, pre-programmed lighting displays across your canvas.



Pharos Trigger

Timing is everything. Whatever the stimulus, Pharos Trigger can handle it. You can control your lighting with responsive, reactive programming. Pharos Trigger is a rules engine that uses conditional logic and a broad range of interfaces and protocols. Send and receive any command, to and from any system. Conditional logic is supported, along with a powerful built-in scripting language for unlimited flexibility.

High Definition

Live video can be captured on the DVI-D input at resolutions up to 1080p60. Dual 1080p30 internal playback means two full HD streams can be played, and cross-faded seamlessly into two further streams. In total, up to eight players are available, subject to performance limitations. Support for all major formats such as H.264/MPEG-4 AVC, MJPEG and QuickTime with the built-in 512GB SSD provides plenty of capacity for media storage.

Scalable

The right fit for every installation. Multiple Pharos Controllers can be seamlessly linked together to work as one via a standard Ethernet network giving impressive scalability. For additional integration options simply add Remote Devices to further extend the network. Whether one Controller or many, it's all easily programmed using our Designer software.

Remote Management

The control you need in your browser - from anywhere. Pharos Controllers can be connected to Pharos Cloud, a secure remote management service from SixEye. This allows direct control of your Controllers from anywhere in the world, letting you check all of your Controllers' statuses, inputs and outputs, firing triggers, scheduling events, uploading new projects and much more. All Pharos controllers also have their own Web Interface that can be accessed on a local area network that provides real-time statuses, access to the full log and the ability to fire triggers on the controller.

Ease of Use

Easily build huge lighting projects with powerful Pharos Designer features such as fixture template – a tool that enables you to create a composite fixture that is an arrangement of any single-element library fixture, allowing strings and tiles to be built up from individual nodes into reusable templates to speed up commissioning.

Pharos Designer

Programmed and configured using the free Pharos Designer software – available for Windows or Mac OS X – with upload over Ethernet.

Reliable

Hardware and firmware are self-sufficient, so no PC needs to be left on site. Rugged, compact unit designed for 24/7 operation and reliability.

5 Year Warranty

Designed and manufactured in the UK, with quality and reliability our top priority.

Certifications

CE compliant, ETL/cETL listed, and California Title 20/24 compliant.



Supported Fixtures

| | |
|------------------------|---|
| LEDs | LEDs in any colour configuration (RGB, RGBW, 8-bit, 16-bit, tuneable white) |
| Fixture Library | Pharos offers a cloud library with over 13,000 fixture profiles, for easy download of your luminaires |

Output

| | |
|------------------------------|--|
| sACN | USITT E1.31 (with per fixture priority) |
| Art-Net | ArtNet, ArtNet II and ArtNet III (configurable broadcast override) |
| KiNET | KiNET V1 (DMX out) and V2 (Port out); PDS/Data Enabler discovery |
| Pathport | Pathway Connectivity protocol |
| DMX512 | Via EDN or any other eDMX node |
| Scalable Simultaneous | Synchronises with up to 40 Pharos Controllers over network. Multiple protocols can be in operation simultaneously. Limited by patched channels, not universes used |
| EDN | Can natively integrate with and output DMX through the ports of the EDN (supplied separately) |
| Audio Out | Audio Output with two audio layers; a background layer for ongoing audio, and an alert layer for high-priority overriding |

Triggering & Integration

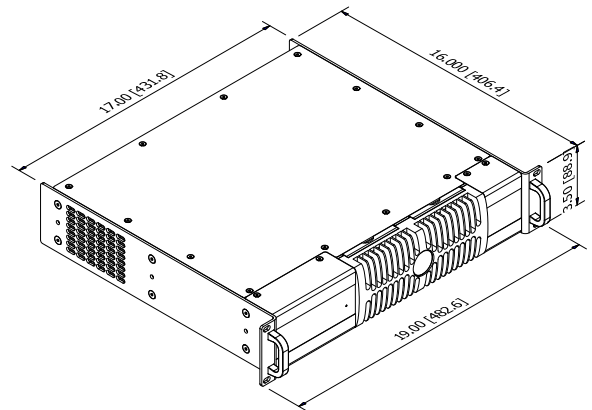
| | |
|--|--|
| Startup Clock | Commences playback automatically on receiving power Battery-backed real-time clock for calendar and time-based triggers |
| Astronomical Ethernet Serial Data | Sunrise/Sunset/Twilight and Lunar phases UDP, TCP, Multicast; send/receive any Ethernet message RS232; configurable port; send/receive free syntax in ASCII, HEX or decimal |
| eDMX Inputs | sACN or Art-Net Contact closure, active low, active high or 0-24V analog level via RIOs |
| Outputs MIDI Timecode Audio Level RS485 | Isolated relay outputs (48V 250mA) via RIOs MIDI Notes, SysEx or Timecode via RIO A Linear Timecode via RIO A (SMPTE, Film, EBU, NTSC) Stereo 30-band spectrum analysis via RIO A RS485 Serial via RIO; configurable port; send/receive free syntax in ASCII, HEX or decimal |
| DALI Web Interface Wall Stations Conditions Scripting Scalable IO Modules | Trigger on any message, via RIO D Built-in or custom designed Integrate with BPS, TPS or TPC Full conditional logic support Lua scripting for total flexibility Supports Pharos Remote Devices Supports our extensive IO Module library for easy integration |

Interfaces

| | |
|----------------------|--|
| Ethernet | Neutrik etherCon (RJ45 compatible) for 10/100/1000Base-TX Ethernet; Static IP or DHCP |
| eDMX | Two internally-switched dedicated Ethernet ports for eDMX; Neutrik etherCon (RJ45 compatible) for 10/100/1000Base-TX Ethernet; Static IP or DHCP |
| DVI-D Input | Live video input up to 1080p60 |
| DVI-I Output | DVI-I output for monitoring patched pixels and DVI fixtures |
| Serial | RS232 via DB9 connector |
| USB | Two USB 2.0 Type A ports (for future development) |
| Audio Outputs | Stereo analog & digital audio ports |

Specifications

| | |
|-----------------------|--|
| Certifications | CE compliant, ETL/cETL listed |
| Power | 100-240VAC / 50-60HZ / 0.25-0.1A 25W typical (30W maximum) IEC connector with switch * * Power cable not supplied |
| Data Storage | Internal 512GB SSD (supplied) |
| Configuration | Pharos Designer 2.5 or later |
| Temperature | 0°C to 50°C (32°F to 122°F) |
| Humidity | 10-50% relative, non-condensing |
| Ingress | IP40 |
| Physical | 19" rack unit, 2U, 16" deep 3.1 kg (6.8 lbs) |
| Shipping | 57 x 45 x 18 cm (22" x 18" x 7") 5.0 kg (11 lbs) |
| Recovery | Hardware watchdog and recessed reset button |
| Warranty | 5 years |



Order Code & Variants

| | |
|------------------|---|
| VLC+ 50 | Video Lighting Controller Plus 50 (25,600 channels eDMX) |
| VLC+ 100 | Video Lighting Controller Plus 100 (51,200 channels eDMX) |
| VLC+ 250 | Video Lighting Controller Plus 250 (128,000 channels eDMX) |
| VLC+ 500 | Video Lighting Controller Plus 500 (256,000 channels eDMX) |
| VLC+ 1000 | Video Lighting Controller Plus 1000 (512,000 channels eDMX) |
| VLC+ 1500 | Video Lighting Controller Plus 1500 (768,000 channels eDMX) |
| VLC+ 3000 | Video Lighting Controller Plus 3000 (1,536,000 channels eDMX) |