



## Remote DALI 4-Port

The Pharos RIO D4 (Remote DALI 4-Port) is a remote input/output device that provides a convenient and scalable way to control DALI fixtures and ballasts from Pharos controllers. Each RIO D4 supports four DALI buses, which can be used as outputs for control and for receiving DALI commands. Compact plastic enclosure with installer-friendly connectors, DIN-rail mount and PoE for deployment where it is needed, the RIO D4 is connected to a Pharos controller over an Ethernet network.

Compatible with Pharos Designer 2.14 or later.



## RIO D4 Features



### DALI Control

Each port on the RIO D4 can control up to 64 DALI devices, with support for commissioning with DALI discovery and configuration commands. Multiple RIO D4 units can be used together as part of a single Pharos system to provide distributed DALI control over an Ethernet network.



### DALI Commands

The RIO D4 can also integrate with an existing DALI installation by listening in to DALI commands sent by another control system or a DALI wall panel to activate lighting changes on a Pharos controller.



### Scalable

Multiple Remote Devices can be combined on the same network to build the ideal system for your installation. System totals, maximum devices and maximum DALI interfaces assigned to a controller depends on controller type.



### Power-over-Ethernet

As a Power-over-Ethernet (PoE) device, the RIO D4 can be placed at any remote location and only needs a single Ethernet cable that provides both power and data.



### Commissioning Software

Programmed and configured using Pharos software – available free for Windows or macOS – with upload over Ethernet.



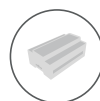
### Reliable

Solid-state design for 24/7 operation and reliability.



### Installer Friendly

Made for permanent installation, with installer-friendly 0.200" (5.08mm) plug-in rising clamp terminals, a compact, plastic enclosure and easy DIN rail mounting. Includes a convenient thumb wheel for easy addressing and access to built-in test programs.



### Network

Works with Pharos controllers and links using standard protocols over an Ethernet network.



## Capabilities

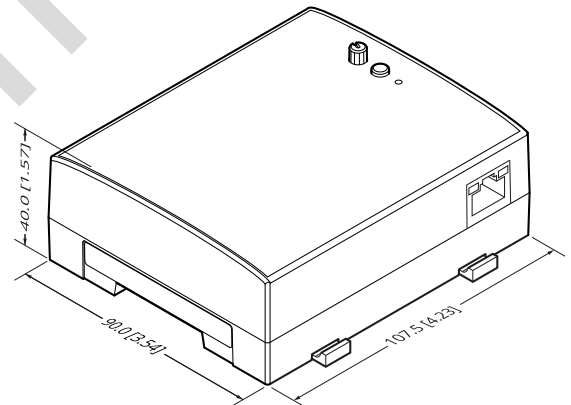
<b>DALI Control</b>	Control for up to 64 DALI devices per port including device discovery and configuration
<b>DALI Receive</b>	Receive DALI messages from other controllers such as wall panels or occupancy sensors
<b>Emergency Lighting</b>	(Designer only) Schedule automatic Function and Duration tests; automatic querying for battery level and lamp hours; test result and error reporting web page
<b>Bus Power Detection</b>	Detect bus power status, with reporting also available in Pharos Designer.
<b>Scalable</b>	Support for up to 200 Remote Devices, including RIO D4 units, shared across multiple controllers in a single Pharos Designer project. Device limits assigned to controllers depend on controller type – 16 for LPC 1 / TPC, 32 for LPC 2, 64 for LPC 4 and 100 for LPC X / VLC / VLC+.
<b>Capacity</b>	DALI interface limits (total configured DALI ports) assigned to controllers depend on controller type – 16 for LPC 1 / TPC, 32 for LPC 2, 64 for LPC 4 and 100 for LPC X. 100 for VLC / VLC+ for triggering only.

## Interfaces

<b>Ethernet</b>	RJ45 socket for 10/100Base-TX Ethernet with Link/Data LEDs; Static IP or DHCP; Power-over-Ethernet (PoE)
<b>DALI</b>	Ports can transmit and receive DALI commands* Supports DALI standards: EN 62386-101:2009, EN 62386-102:2009, EN 62386-202:2009, EN 62386-209:2011

## Specifications

<b>Power</b>	PoE (IEEE802.3af, Class 2), 7W max
<b>Required</b>	Any Pharos Designer Controller, DALI power supply per port
<b>Configuration</b>	Pharos Designer 2.13 or later
<b>Addressing</b>	By rotary selector switch
<b>Temperature</b>	0°C to 50°C (32°F to 122°F)
<b>Humidity</b>	10-90% relative, non-condensing
<b>Ingress</b>	IP40
<b>Physical</b>	6 unit wide DIN rail mounting enclosure (35/7.5 rail) 10.8 x 9 x 4 cm (4.2 x 3.5 x 1.6 in) 0.2 kg (0.5 lbs)
<b>Shipping</b>	19.5 x 15 x 7.5 cm (8 x 6 x 3 in) 0.4 kg (0.9 lbs)
<b>Recovery</b>	Hardware watchdog and recessed reset button



## Order Code & Variants

<b>RIO D4</b>	Pharos Remote DALI 4-Port Device (DALI x4)
---------------	--

*Pharos Designer Controller required  
DALI power supply per port required*

## Warranty & Certifications

<b>Warranty</b>	5 Years
<b>Certifications</b>	CE compliant, UKCA compliant, UL/cUL listed.



\*Install-friendly 0.200" (5.08mm) plug in rising clamp connectors (included)