



EXPERT MAKES LIGHT OF IT

Benefit from Pharos expertise in dynamic architectural lighting with an all-new, practical, and straightforward control solution centred around a single, reliable set-and-forget controller.

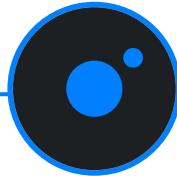
With DMX, DALI and a couple of convenient contact closures and relays all on board, Expert Control provides up to 1024 channels and is just the job for architectural lighting that requires the benefits of dynamic movement and colour in a cost-effective and user-friendly package.

Expert Software helps and guides you through programming the controller. Also available is a companion 5" touchscreen; the elegant Expert Touch, and completing the range are two accessories: Expert Repeat which is a convenient DMX splitter for output distribution, and Expert Switch for PoE networking.

With the reliability you expect from Pharos and our expertise in dynamic lighting in architecture and entertainment: an easy to install, easy to use control solution.



One Controller



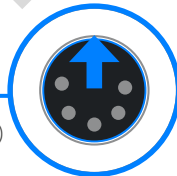
All you need in one stand-alone box. Up to 1024 channels of eDMX, two local DMX ports, a DALI port and two pairs of IO onboard with simple networking for programming. All in one compact, DIN rail mount enclosure and optional keyhole hanging, with solid-state hardware for 24/7 operation and reliability.

Straightforward installation



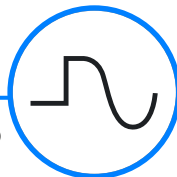
Requiring just PoE or conveniently flexible 9-48V DC power range, with install-friendly rising-clamp connectors. Out-of-the-box, the test modes on the rotary dial select the output ports, and the push button allows raising and dimming levels for fixture testing. Test mode and levels can even be maintained indefinitely as working lights before commissioning and programming occur. Rotary dial also provides four programmable override states.

Output



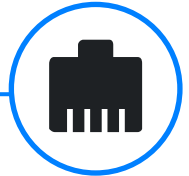
Controllers available in one DMX universe (512 channel) and two DMX universe (1024 channel) capacities. Output over Ethernet to various eDMX lighting protocols, with two ports for convenient patching to local DMX512. Expert Repeat available for additional local DMX distribution. The DALI port supports up to 64 ballasts.

Easy IO Integration



The two inputs / two outputs provide contact closure to interface with controls such as occupancy sensors, fire alarm systems and key-switch overrides.

Network Connectivity



Whatever suits your installation – from a single Cat5 cable direct to a laptop just for programming, or a static, closed network just for your lighting data, to the facility's IT network for greater connectivity, or even to the Internet to connect via Pharos Cloud for fully secure remote access. Expert Switch available to provide an unmanaged network switch with PoE for Expert Control and Touch.

Remote Management



The control you need in your browser - from anywhere. Pharos Controllers can be connected to Pharos Cloud, a secure remote management service from SixEye. This allows direct control of your Controllers from anywhere in the world, letting you check controller status, inputs and outputs, firing events, scheduling events, uploading new projects and much more.

Expert Software



Let Expert Software guide you through setting up and creating your lighting design, with helpers and clear, easy-to-follow processes. This desktop app is a brand-new programming platform, designed from scratch to give you just the tools you need, with innovative approaches to scheduling and triggering your lighting, based around an intuitive spaces-based approach which simplifies managing your installation, fixtures and lighting looks. And, it's free for Windows and macOS.

Reliability



Made for permanent installation, with installer-friendly connectors and easy DIN rail mounting. Hardware and firmware are self-sufficient, so no PC needs to be left on site. Compact unit designed for 24/7 operation and reliability.



Supported Fixtures

| | |
|----------------|---|
| LEDs | LEDs in any colour configuration (RGB, RGBW, RGBA, 8-bit, 16-bit, tuneable white) |
| Generic | Downlights, spotlights, uplights, etc. via controllable dimmers and relays |
| DALI | Ballasts are supported, such as single channel, Tc and XY |

Output

| | |
|---------------------|--|
| DMX512 | 2 ports (max 512 channels each) USITT E1.11-2008 |
| RDM | Supports discovery and addressing via Expert software |
| sACN | USITT E1.31 standard |
| Art-Net | ArtNet, ArtNet II and ArtNet III |
| KiNET | KiNET V1 (DMX out) and V2 (Port out); PDS/Data Enabler discovery |
| DALI | Support for single channel, Tc and XY |
| Simultaneous | Multiple protocols can be in operation simultaneously. Limited by patched channels, not universes used |

Interfaces

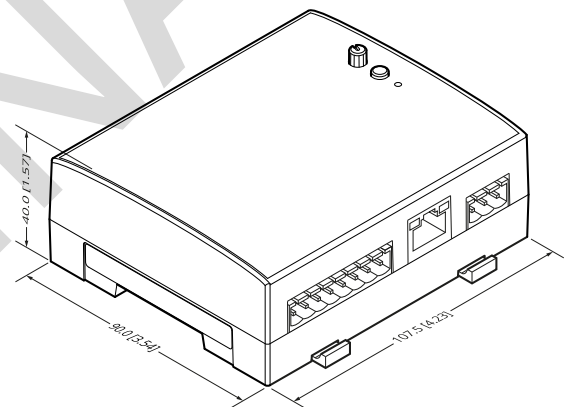
| | |
|--------------------|--|
| Rotary Dial | A rotatory dial for switching to customisable preprogrammed states or test setups |
| Push Button | For test mode intensity |
| Ethernet | RJ45 socket for 10/100Base-TX Ethernet with Link/Data LEDs; Static IP or DHCP; Dual IP address for eDMX |
| DMX512 | Two isolated DMX ports, RDM compatible * |
| Inputs | Two inputs, individually selectable operating mode for contact closure, digital or analogue input * |
| Relay Outs | Two individually isolated (1kV) relay outputs (48V 250mA) * Install-friendly 0.200" (5.08mm) plug in rising clamp connectors (included) |

Order Code & Variants

| | |
|--------------|---|
| XPC 1 | Expert Control 1 (Lighting controller with 512 channels eDMX/DMX, DALI, IO) |
| XPC 2 | Expert Control 2 (Lighting controller with 1,024 channels eDMX/DMX, DALI, IO) |

Specifications

| | |
|---------------------|---|
| Power | 9V to 48V DC * or PoE (IEEE802.3af, Class 2) 4W typical |
| Data Storage | Removable MicroSD card (provided) |
| Temperature | 0°C to 50°C (32°F to 122°F) |
| Humidity | 10-95% relative, non-condensing |
| Ingress | IP40 |
| Physical | 6 unit wide DIN rail mounting enclosure (35/7.5 rail) Incorporated keyhole hangers 0.2 kg (0.5 lbs) |
| Shipping | 19.5 x 15 x 7.5 cm (8" x 6" x 3") 0.35 kg (0.8 lbs) |
| Recovery | Hardware watchdog and recessed reset button |



Warranty & Certifications

Designed and manufactured in the UK, with a 5-year warranty, where quality and reliability are our top priority.

| | |
|-----------------------|--|
| Warranty | 5 years |
| Certifications | CE compliant, UKCA compliant, UL/cUL listed, may be used as part of a California Title 24 compliant lighting control system. |

