



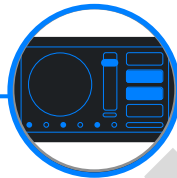
EXPERT MAKES LIGHT OF IT

A stunningly elegant wall station with a seamless, uninterrupted glass front plate, providing a beautiful interface if your project requires user interaction. The 5" touch screen receives automatically generated pages via Expert Control, based on programming in Expert software. Easily control your lighting by activating scenes and adjusting intensity for each Space.

With single cable installation, Expert Touch 5 is a Power-over-Ethernet device. Included is a Universal Mounting Plate which is compatible with world-wide back boxes and boasts a secure and ingenious fitting mechanism.



Touch Interface



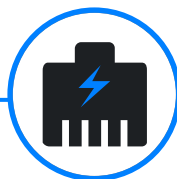
Touch 5 has a vivid colour 5" display with a high resolution of 800x480. The capacitive touchscreen makes navigating your project's controls appealing and intuitive. It's quick and easy to select your space and activate presets, manually override intensity and even use a colour picker to personalise your lighting. Touch 5 puts control at your fingertips.

Straightforward installation



With a new, innovative wall-mounting system, the Universal Mounting Plate can be fitted to a wide range of regulation backboxes, including UK, US and EU. The Touch 5 fits to the mounting plate via a bayonet twist system which is not immediately obvious to an observer. This keeps it firmly fastened with a tool-free installation, and the MicroSD card remains out of reach whilst installed.

PoE Powered



As a Power-over-Ethernet (PoE) device, the Touch 5 can be placed at any remote location and only needs a single Cat5 cable that provides both power and data. Expert Switch provides a coordinating PoE switch from Pharos, which can support up to four Touch devices.

Controller



The Touch 5 requires a Pharos Expert Control, and links to it using standard protocols over an Ethernet network.

Wherever they're needed



Expert Control can support up to 32 Expert Touch devices. Pages are generated relating to the Space you assign to your Touch 5 – giving you control over just one room, or the whole project.

Expert Software



Let Expert Software guide you through setting up and creating your lighting design, with helpers and clear, easy to follow processes. Add Stations to Spaces and chose a theme to suit the location, then let Expert do the rest – generating the pages and controls you want – with preset buttons, colour pickers and intensity sliders.

Reliability



Made for permanent installation and designed for 24/7 operation and reliability. Hardware and firmware are self-sufficient, so no PC needs to be left on site.



Capabilities

Orientation	Landscape and portrait
Layouts	Automatically generated page layouts to suite each projects settings from specific project Spaces
Themes	Multiple themes to choose from for automatically generated pages, controls, and navigation
Skins	Within each theme there are different skins to choose from to fine tune appearance
Secure access	Keypad option for PIN-code entry with automatic lock
Commissioning	Interface provided from linked Expert Control, commission with Pharos Expert
Project Management	Optionally enable interface elements to manage project tags

Interfaces

Ethernet	Static IP or DHCP
Touchscreen	5" capacitive touch; 800x480 24bpp; 650 cd/m2

Order Code & Variants

XPT 5 B coming soon	Expert Touch 5 Black (5" wall mount touchscreen interface)
XPT 5 W	Expert Touch 5 White (5" wall mount touchscreen interface)* * Default colour shipped if unspecified

Colour Information

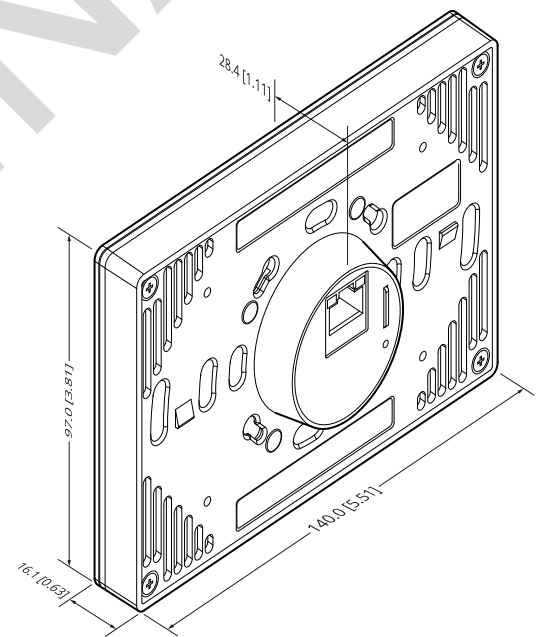
Signal White	Bayblend T65XF (UL94 HB) RAL 9003 signal white
Jet Black	Bayblend T65XF (UL94 HB) RAL 9005 jet black

Pharos Universal Mounting Plate 5" included

Pharos Expert Control required

Specifications

Power	PoE (IEEE802.3af, Class 0) 7W typical
Required	Pharos Expert Control
Data Storage	Removable MicroSD Card (supplied)
Recovery	Hardware watchdog and recessed reset button
Temperature	0°C to 50°C (32°F to 122°F)
Humidity	10-95% relative, non-condensing
Ingress	IP40
Physical	Wall mounted, partly recessed with a custom mounting plate that supports UK 1 & 2-gang 35mm, EU 35mm or US 2.5" backbox (mounting plate included) 0.25 kg (0.6 lbs) (ex. mounting plate)
Shipping	19.5 x 15 x 7.5 cm (8" x 6" x 3") 0.5 kg (1.1 lbs)
Reset	Recessed reset button



Warranty & Certifications

Designed and manufactured in the UK, with a 5-year warranty, where quality and reliability are our top priority.

Warranty	5 years
Certifications	CE compliant, UKCA compliant, UL/cUL listed.

