



EXPERT MAKES LIGHT OF IT

A stunningly elegant wall station with a seamless, uninterrupted glass front plate, providing a beautiful interface if your project requires user interaction. The 8" touchscreen receives automatically generated pages via Expert Control, based on programming in Expert software. Easily control your lighting by activating scenes and adjusting intensity for each Space.

With single cable installation, Expert Touch 8 is a Power-over-Ethernet device. Included is a Universal Mounting Plate which is compatible with world-wide back boxes and boasts a secure and ingenious fitting mechanism.



Touch Interface

Touch 8 has a vivid colour 8" display with a high resolution of 1024x768. The capacitive touchscreen makes navigating your project's controls appealing and intuitive. It's quick and easy to select your space and activate presets, manually override intensity and even use a colour picker to personalise your lighting. Touch 8 puts control at your fingertips.



Controller

The Touch 8 requires a Pharos Expert Control, and links to it using standard protocols over an Ethernet network.



Wherever they're needed

Expert Control can support up to 32 Expert Touch devices. Pages are generated relating to the Space you assign to your Touch 8 – giving you control over just one room, or the whole project.



Straightforward installation

With a new, innovative wall-mounting system, the Universal Mounting Plate can be fitted to a wide range of regulation backboxes, including UK, US and EU. The Touch 8 fits to the mounting plate via a bayonet twist system which is not immediately obvious to an observer. This keeps it firmly fastened with a tool-free installation, and the MicroSD card remains out of reach whilst installed.



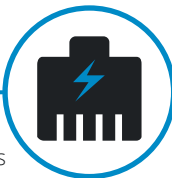
Expert Software

Let Expert Software guide you through setting up and creating your lighting design, with helpers and clear, easy to follow processes. Add Stations to Spaces and choose a theme to suit the location, then let Expert do the rest – generating the pages and controls you want – with preset buttons, colour pickers and intensity sliders.



Power-over-Ethernet

As a Power-over-Ethernet (PoE) device, the Touch 8 can be placed at any remote location and only needs a single Ethernet cable that provides both power and data. Expert Switch provides a coordinating PoE switch from Pharos, which can support up to four Touch devices.



Reliability

Made for permanent installation and designed for 24/7 operation and reliability. Hardware and firmware are self-sufficient, so no PC needs to be left on site.





Capabilities

Orientation	Landscape and portrait
Layouts	Automatically generated page layouts to suite each project's settings from specific project Spaces
Themes	Multiple themes to choose from for automatically generated pages, controls, and navigation
Skins	Within each theme there are different skins to choose from to fine tune appearance
Secure access	Keypad option for PIN-code entry with automatic lock
Commissioning	Interface provided from linked Expert Control, commission with Pharos Expert
Project Management	Optionally enable interface elements to manage project tags

Interfaces

Ethernet	Static IP or DHCP
Touchscreen	8" capacitive touch; 1024x768 24bpp; 500 cd/m ²

Order Code & Variants

XPT 8 B	Expert Touch 8 Black (8" wall mount touchscreen interface)
XPT 8 W	Expert Touch 8 White (8" wall mount touchscreen interface)*

Colour Information

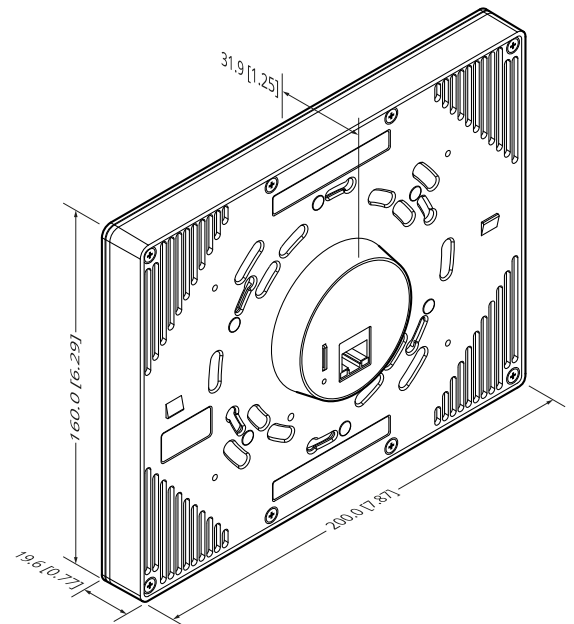
Signal White	Bayblend T65XF (UL94 HB) RAL 9003 signal white
Jet Black	Bayblend T65XF (UL94 HB) RAL 9005 jet black

Pharos Universal Mounting Plate 8" included

Pharos Expert Control required

Specifications

Power Required	PoE (IEEE802.3af, Class 0), 10W typical
Configuration	Pharos Expert v1.1 or later
Data Storage	Removable MicroSD Card (supplied)
Recovery	Hardware watchdog and recessed reset button
Temperature	0°C to 50°C (32°F to 122°F)
Humidity	10-90% relative, non-condensing
Ingress	IP40
Physical	Wall mounted, partly recessed with a custom mounting plate that supports UK & EU 2-gang 35mm, or US 2-gang and 3-gang 2.5" backbox (mounting plate included) 20 x 16 x 3.2 cm (7.9 x 6.3 x 1.3 in) 0.7 kg (1.6 lbs) (ex. mounting plate)
Shipping	32 x 24 x 4.5 cm (12.6 x 9.4 x 1.7 in) 1.1 kg (2.5 lbs)
Reset	Recessed reset button



Warranty & Certifications

Designed and manufactured in the UK, with a 5-year warranty, where quality and reliability are our top priority.

Warranty 5 years

Certifications CE compliant, UKCA compliant, UL/cUL listed.



* Default colour shipped if unspecified