



Remote DALI 4-Port

The Pharos RIO D4 (Remote DALI 4-Port) is a remote input/output device that provides a convenient and scalable way to control DALI fixtures and ballasts from Pharos controllers. Each RIO D4 supports four DALI buses, which can be used as outputs for control and for receiving DALI commands. Each configured RIO D4 port should be connected directly to your powered DALI buses. Compact plastic enclosure with installer-friendly connectors, DIN-rail mount and PoE for deployment where it is needed, the RIO D4 is connected to a Pharos controller over an Ethernet network.

Supported in Pharos Designer 2.15.1 or later.
Supported in Pharos Express 2.0 or later.



RIO D4 Features



DALI Control

Each port on the RIO D4 can control up to 64 DALI devices, with support for commissioning with DALI discovery and configuration commands. Multiple RIO D4 units can be used together as part of a single Pharos system to provide distributed DALI control over an Ethernet network.



DALI Commands

The RIO D4 can also integrate with an existing DALI installation by listening in to DALI commands sent by another control system or a DALI wall panel to activate lighting changes on a Pharos controller. RIO D4 also responds to DALI button events, illuminance and occupancy sensor changes.



Scalable

Multiple Remote Devices can be combined on the same network to build the ideal system for your installation. System totals, maximum devices and maximum DALI interfaces assigned to a controller depends on controller type.



Power-over-Ethernet

As a Power-over-Ethernet (PoE) device, the RIO D4 can be placed at any remote location and only needs a single Ethernet cable that provides both power and data.



Commissioning Software

Programmed and configured using Pharos software – available free for Windows or macOS – with upload over Ethernet.



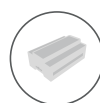
Reliable

Solid-state design for 24/7 operation and reliability.



Installer Friendly

Made for permanent installation, with installer-friendly 0.200" (5.08mm) plug-in rising clamp terminals, a compact, plastic enclosure and easy DIN rail mounting. Includes a convenient thumb wheel for easy addressing and access to built-in test programs.



Network

Works with Pharos controllers and links using standard protocols over an Ethernet network.



Capabilities

DALI Control	Control for up to 64 DALI devices per port including device discovery and configuration
DALI Receive	Receive DALI messages from other controllers such as wall panels or occupancy sensors
Emergency Lighting	(Designer only) Schedule automatic Function and Duration tests; automatic querying for battery level and lamp hours; test result and error reporting web page
Bus Power Detection	(Designer only) Detect and report bus power status

Interfaces

Ethernet	RJ45 socket for 10/100Base-TX Ethernet with Link/Data LEDs; Static IP or DHCP; Power-over-Ethernet (PoE)
DALI	Ports can transmit and receive DALI commands* Supports DALI standards: EN 62386-101:2009, EN 62386-102:2009, EN 62386-202:2009, EN 62386-209:2011

System Limits (Designer)

Remote Device system limit count includes all RIO, EDN, TPS and BPS in project.

In Project	Maximum 200 remote devices across multiple controllers in a single Pharos Designer project.
Per Controller	Maximum remote device limits assigned to controllers depend on controller type: 64 for each LPC, TPC 100 for each LPC X, VLC
DALI Interface per Controller	Maximum total configured DALI ports assigned to controllers depends on controller type: 16 for each LPC 1 and TPC 32 for each LPC 2 64 for each LPC 4 100 for each LPC X 100 for each VLC (for triggering only)

System Limits (Express)

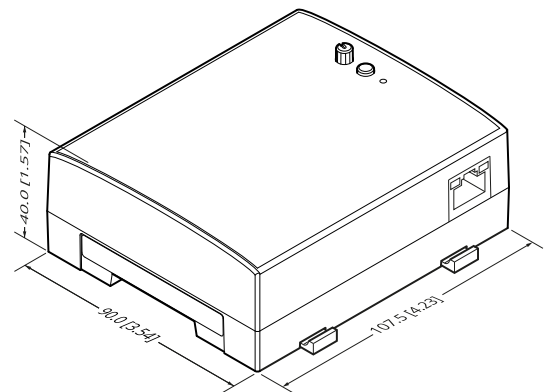
An Express system comprises one Express Control and optional devices.

In Project	Maximum four RIO D4 assigned to an Express Control.
-------------------	---

*Install-friendly 0.200" (5.08mm) plug in rising clamp connectors (included)

Specifications

Power	PoE (IEEE802.3af, Class 2), 7W max
Required	Any Pharos Controller, DALI power supply per port
Configuration	Pharos Designer 2.15.1 or later Pharos Express 2.0 or later
Addressing	By rotary selector switch
Temperature	0°C to 50°C (32°F to 122°F)
Humidity	10-90% relative, non-condensing
Ingress	IP40
Physical	6 unit wide DIN rail mounting enclosure (35/7.5 rail) 10.8 x 9 x 4 cm (4.2 x 3.5 x 1.6 in) 0.2 kg (0.5 lbs)
Shipping	19.5 x 15 x 7.5 cm (8 x 6 x 3 in) 0.4 kg (0.9 lbs)
Recovery	Hardware watchdog and recessed reset button



Order Code & Variants

RIO D4	Pharos Remote DALI 4-Port Device (DALI x4)
---------------	--

*Pharos Controller required
DALI power supply per port required*

Warranty & Certifications

Warranty	5 Years
Certifications	CE compliant, UKCA compliant, UL/cUL listed.



RIO426002