

EXPRESS TOUCH 8

EXPRESS TOUCH 8 INSTALLATION

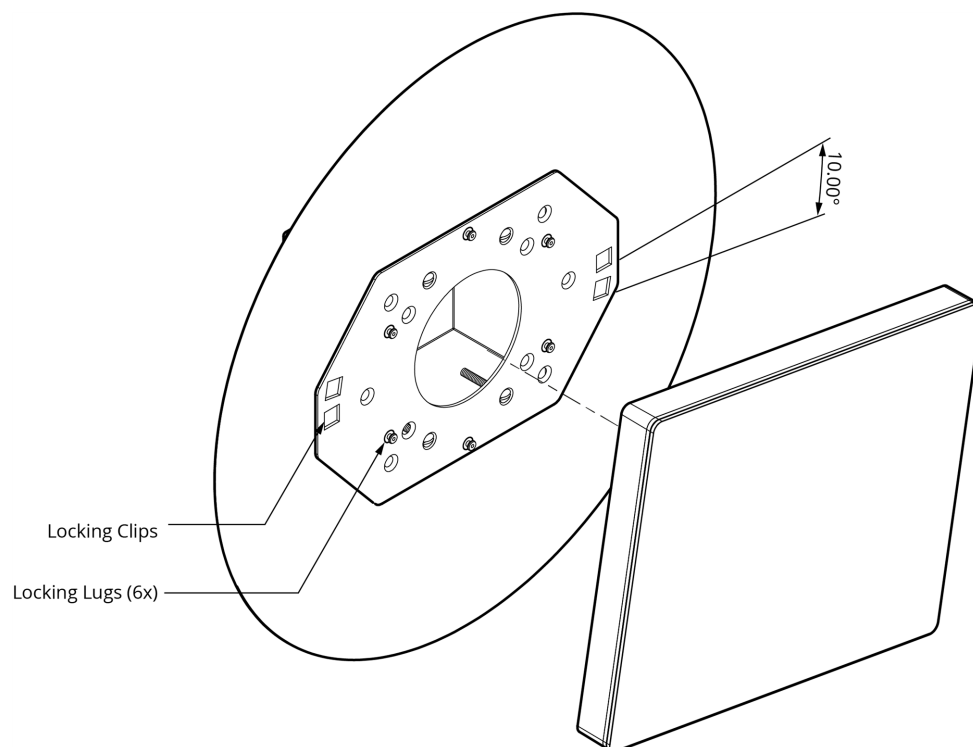
The Express Touch 8 has been qualified to operate in a dry environment:

- Temperature range 0°C to 50°C (32°F to 122°F)
- Humidity 10-90% relative, non-condensing
- Ingress IP40

The unit is an ancillary device that provides a user interface to an Express system. As such, it can not be used on its own but must have an Express Control present on an Ethernet network to function.

The unit is designed to be permanently installed for convenient access. The Universal Mounting Plate (UMP, supplied) can be surface mounted directly to a wall with at least a 64mm hole for turret and Ethernet cable, or into UK, EU & US 2-Gang and US 3-Gang 35mm/2.5" deep third party backboxes commonly available on the market. The unit is securely fastened to the UMP with a tool-free bayonet-twist.

The following diagram illustrates a typical installation:



EXPRESS TOUCH 8 MOUNTING

To mount:

- Fit mounting plate to surface (back box optional, 64mm hole mandatory)
- Fit mounting plate in desired orientation (back box allowing)
- Plug in Ethernet cable into the RJ45 port

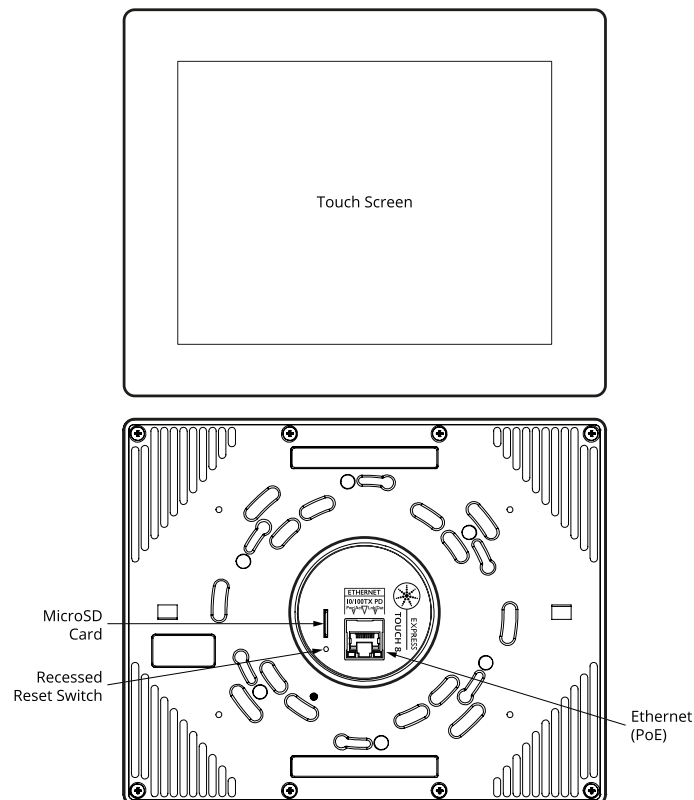
- Fit touch panel at 10 degrees clockwise angle onto locating lugs
- Rotate panel 10 degrees counter-clockwise to lock
- Locked position allows for +/- 1 degree adjustment

To remove:

- Pull short sides forward and rotate 10 degrees clockwise
- Remove from locating lugs
- Unplug Ethernet cable from the RJ45 port

EXPRESS TOUCH 8 LAYOUT

The following drawing illustrates the layout of an Express Touch 8, refer to the following sections for details:



POWER SUPPLY

The Express Touch 8s are shipped without external power supply.

- Power-over-Ethernet (PoE)

A standard (802.3af) Power-over-Ethernet switch should be used to provide both power and a network connection to the Express Touch 8 using a single cable.

Alternatively, if a PoE switch is not available, a compliant PoE midspan injector could be used.

The Express Touch 8 operates as a PoE Class 0 device (0.44 - 12.95W) and will typically consume 10W.

MEMORY CARD

The Express Touch 8 is shipped with a 32GB MicroSD Memory Card.

RESET SWITCH

The Express Touch 8 may be reset by removing the device from the mounting plate and pressing the recessed reset switch, found below the MicroSD card slot.

NOTE: The reset must not be operated during firmware updates to the Express Touch 8 as corruption of the software may occur, perhaps even rendering the unit inoperable.

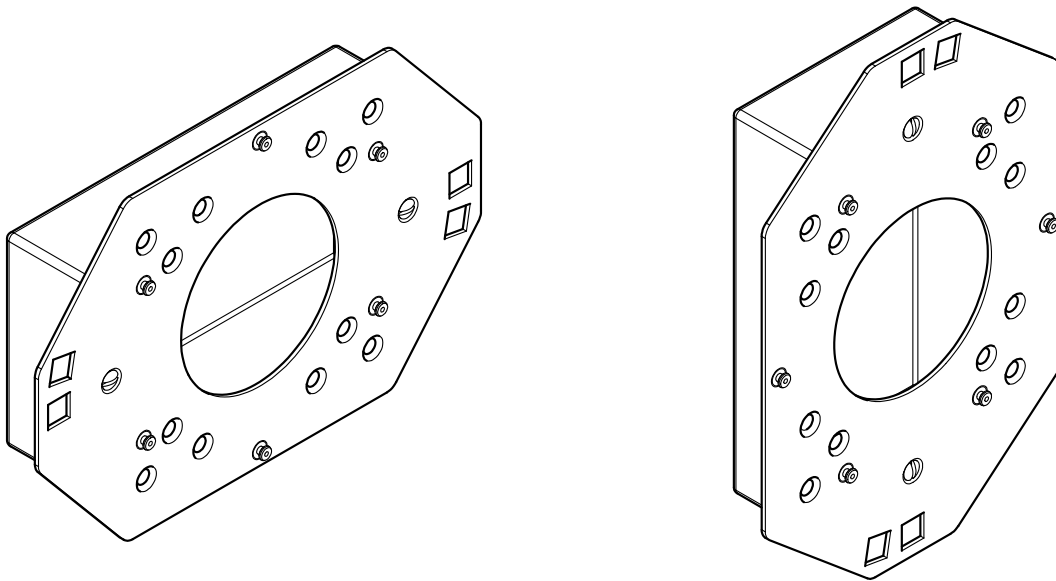
WATCHDOG

An internal "watchdog" will automatically reset the Express Touch 8 in case of a software crash as a result of either a coding error ("bug") or a random electromagnetic event such as a power brown-out or spike, nearby lightning strike or static discharge.

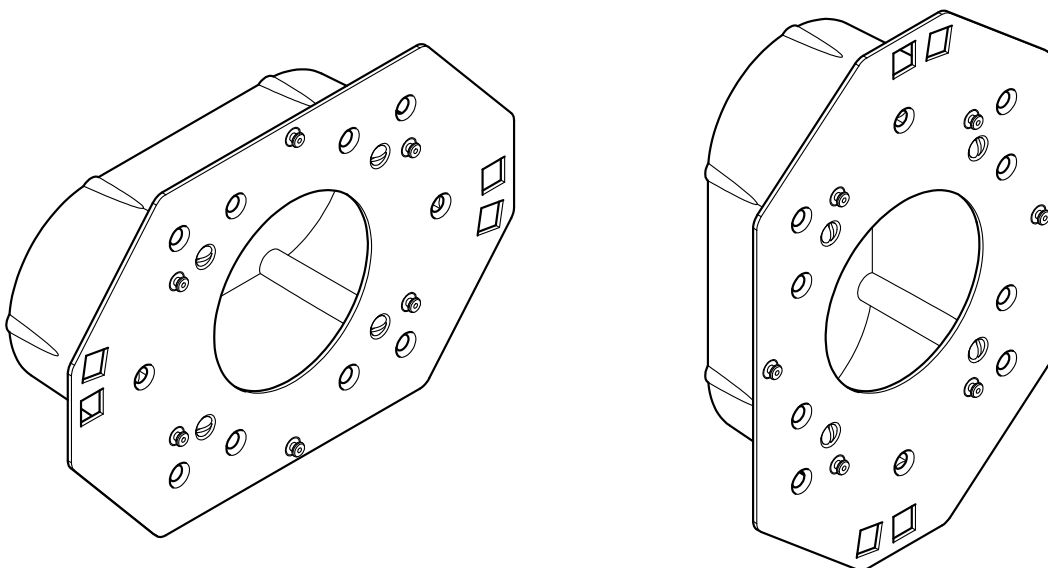
EXPRESS TOUCH 8 BACK BOXES

Back boxes are optional and independent of the universal mounting plate (UMP). The options are:

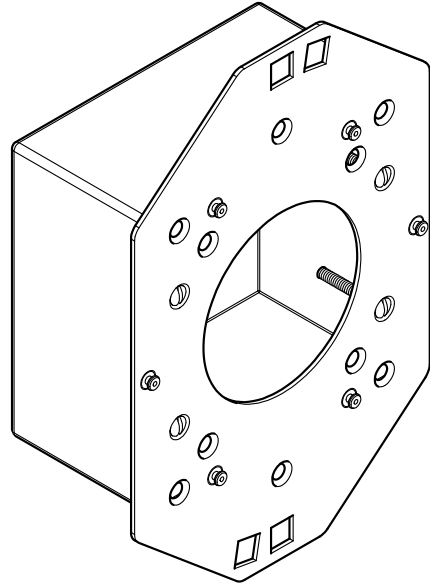
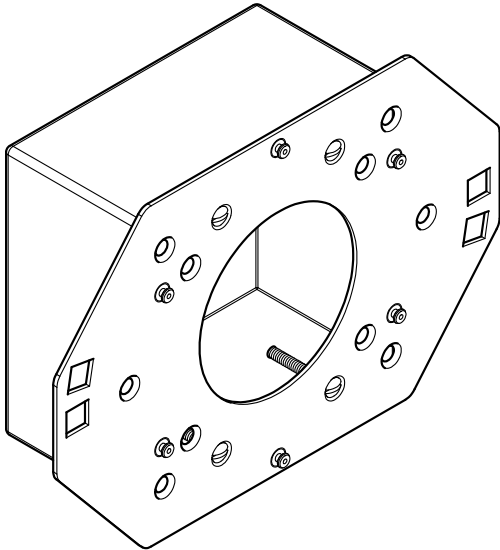
- UK 2-gang 35mm back box, landscape or portrait.



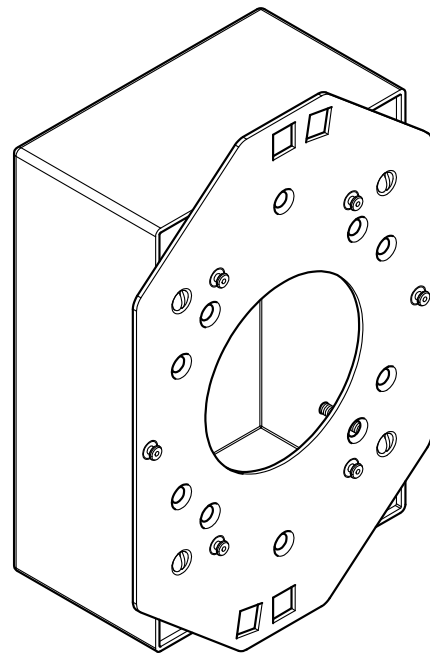
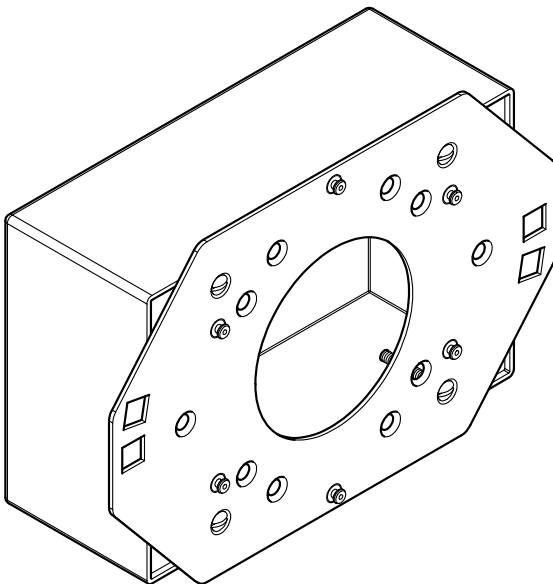
- EU 2-gang 35mm back box, landscape or portrait.



- US 2-gang 2.5" back box, landscape or portrait.

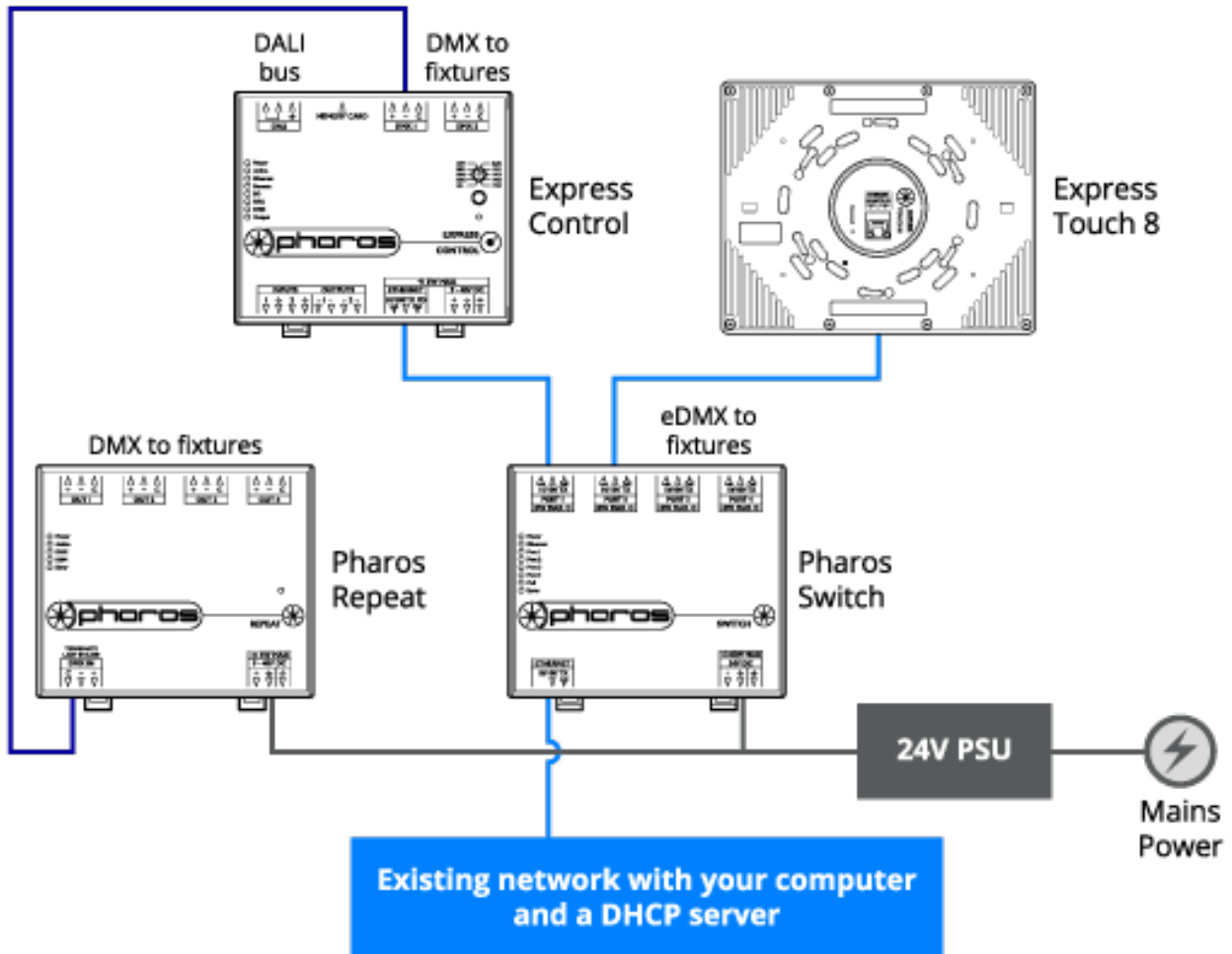


- US 3-gang 2.5" back box, landscape or portrait.



WIRING DIAGRAM

Illustrative example of possible wiring for a system using Express Control, including accessory devices.



WARRANTY

Pharos Architectural Controls Limited (Pharos) products are warranted for a period of five (5) years from the original date of purchase against defective materials and workmanship.

This warranty is subject to the terms, conditions and exclusions available at www.pharoscontrols.com/legal