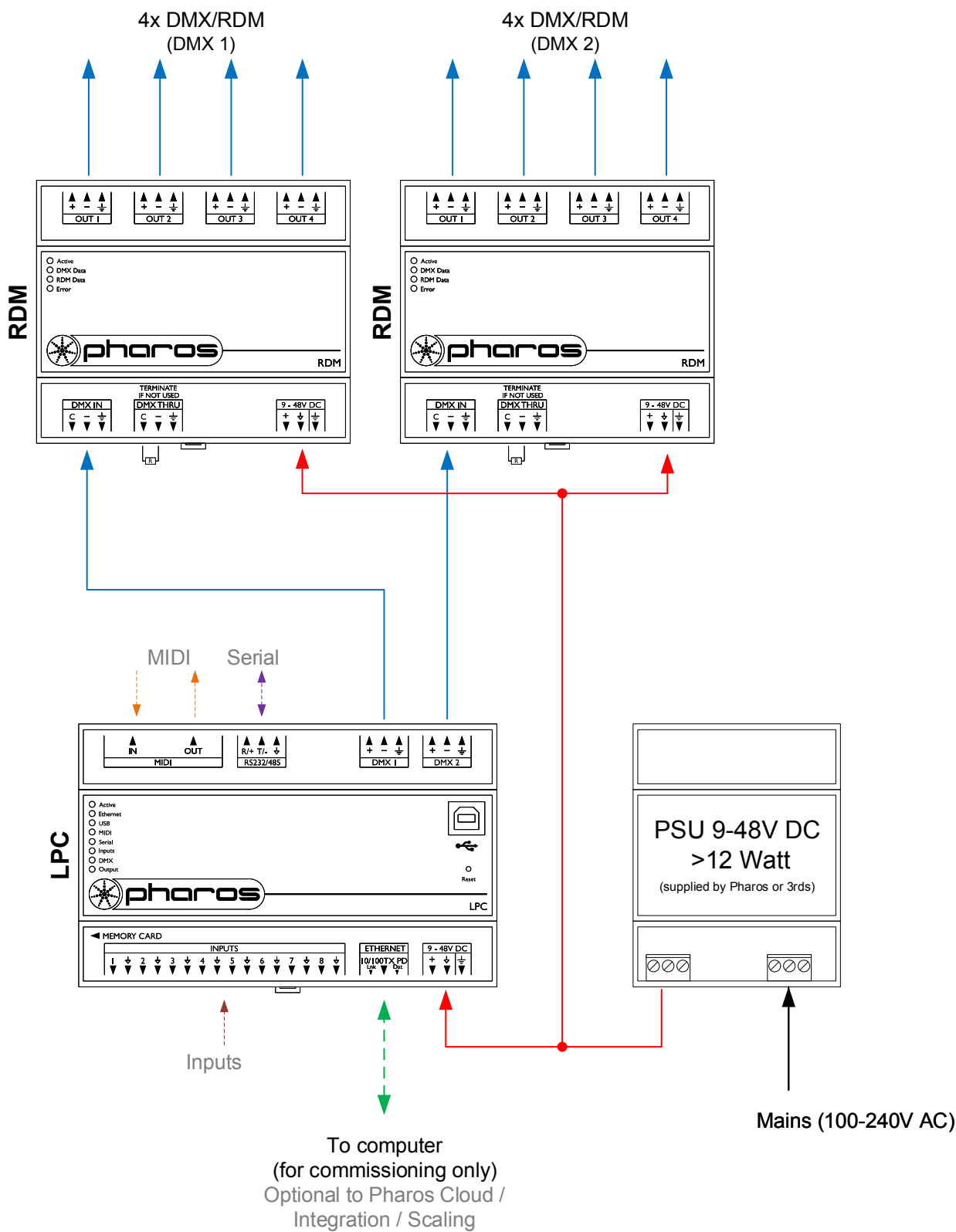



Type:	LPC 1	LPC 2
DMX 1	≤ 512 channels	≤ 512 channels
DMX 2	Clone to DMX1	≤ 512 channels
Total	≤ 512 channels	≤ 1,024 channels



- Consult the **Installation Guide** for technical details
- See **General Notes.pdf** for information on cabling types
- **More configurations** are possible to fulfil any project
- Contact your supplier or visit our website for support

 pharoscontrols.com	Reference:	Name:		
	1103	LPC - 2x RDM (DC power)		
	Size:	Date:	Rev:	Notes:
	A4	27/09/2017	V 1.0	Setup
Page:	17/09/2018	V 1.1	Minor adjustments	
	21/01/2019	V 1.2	Minor adjustments	
	27/05/2021	V 1.3	Minor adjustments	