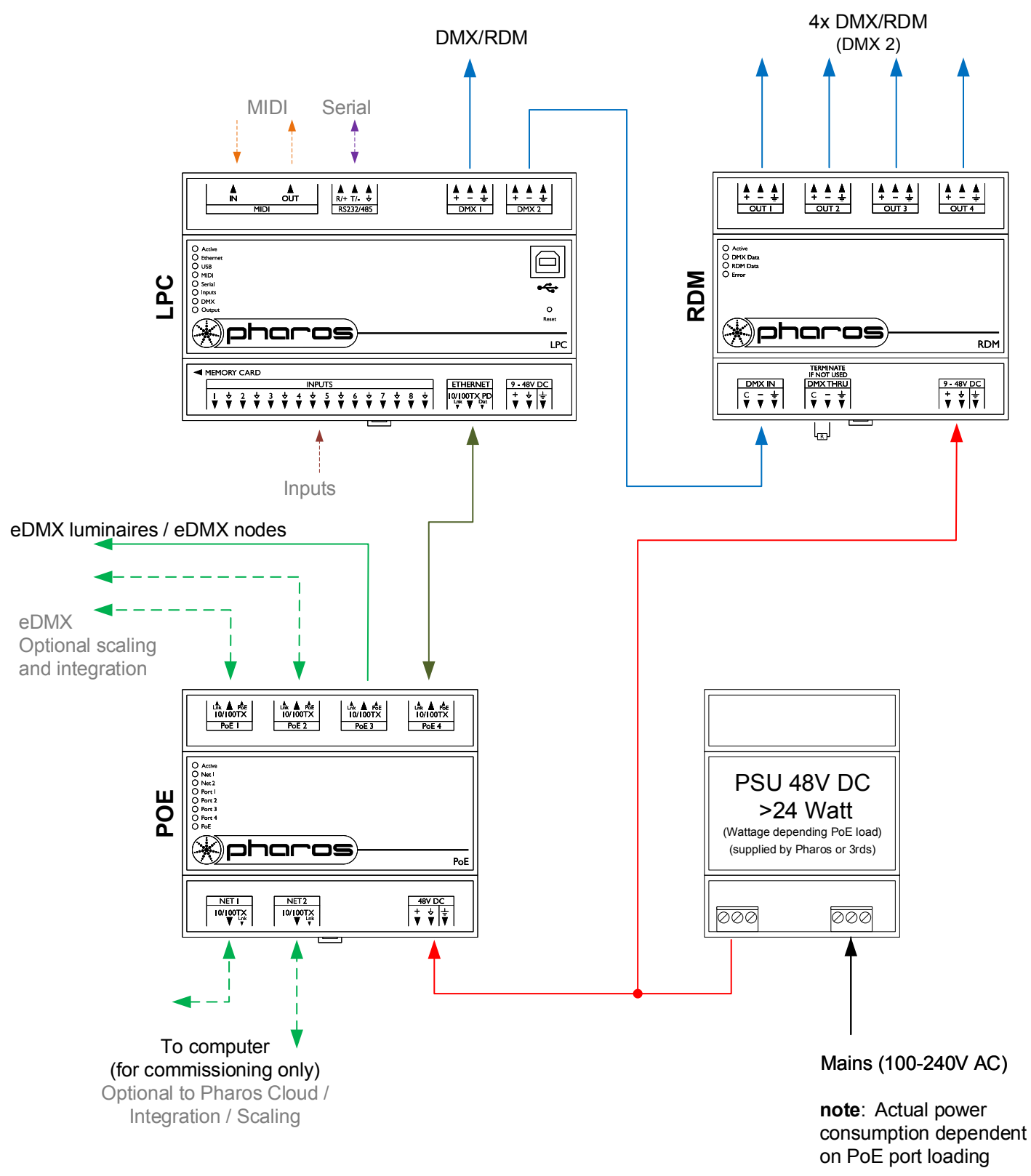



Type:	LPC 1	LPC 2	LPC 4
DMX 1	≤ 512 channels	≤ 512 channels	≤ 512 channels
DMX 2	Clone to DMX1	≤ 512 channels	≤ 512 channels
eDMX	≤ 512 channels	≤ 1,024 channels	≤ 2,048 channels
<b>Total</b>	<b>≤ 512 channels</b>	<b>≤ 1,024 channels</b>	<b>≤ 2,048 channels</b>



- Consult the **Installation Guide** for technical details
- See **General Notes.pdf** for information on cabling types
- **More configurations** are possible to fulfil any project
- Contact your supplier or visit our website for support

 pharoscontrols.com	Reference: 1106	Name: LPC - PoE - RDM	
	Size: A4	Date: 27/09/2017	Rev: V 1.0
	Page:	Notes: Setup	Notes: Minor adjustments
		21/01/2019	V 1.2
		27/05/2021	V 1.3