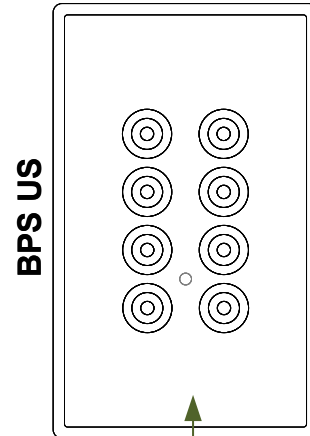
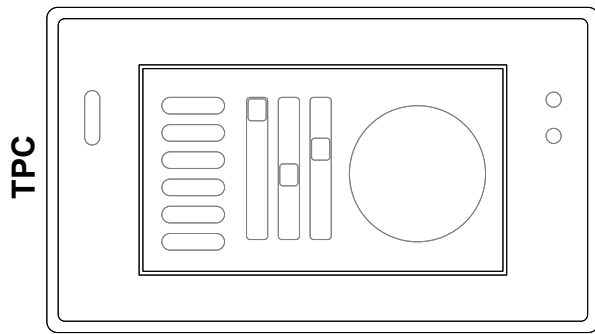


<b>Type:</b>	<b>TPC + EXT</b>
<b>DMX</b>	≤ 512 channels
<b>eDMX</b>	≤ 512 channels
<b>Total</b>	≤ 512 channels
<b>DALI</b>	1 DALI bus (max 64 devices)

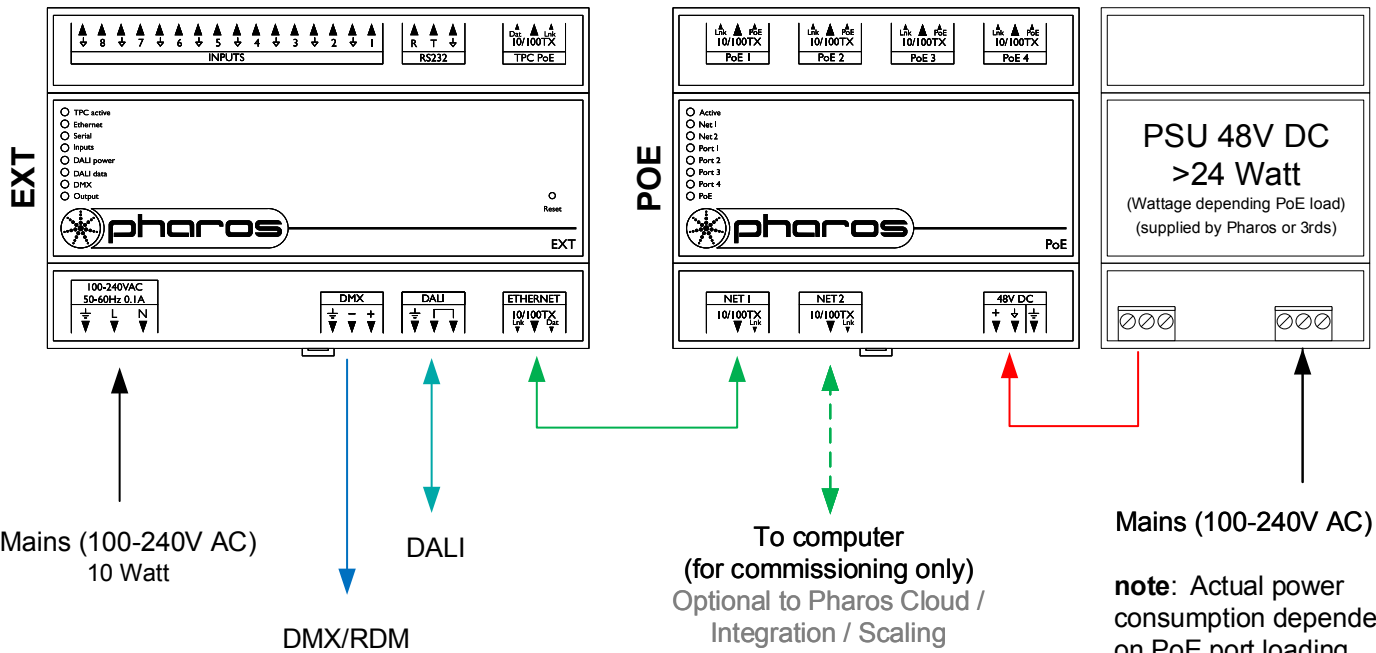


Cat5e cable with RJ45 plugs  
Max 100m, direct link required. (by 3rds)

Inputs

RS232

eDMX /  
Scaling and  
integration



- Consult the **Installation Guide** for technical details
- See **General Notes.pdf** for information on cabling types
- **More configurations** are possible to fulfil any project
- Contact your supplier or visit our website for support



pharoscontrols.com

Reference:  
1309

Size:  
A4

Page:

Name:  
TPC - EXT - BPS US

Date:	Rev:	Notes:
27/09/2017	V 1.0	Setup
17/09/2018	V 1.1	Minor adjustments
21/01/2019	V 1.2	Minor adjustments
27/05/2021	V 1.3	Minor adjustments