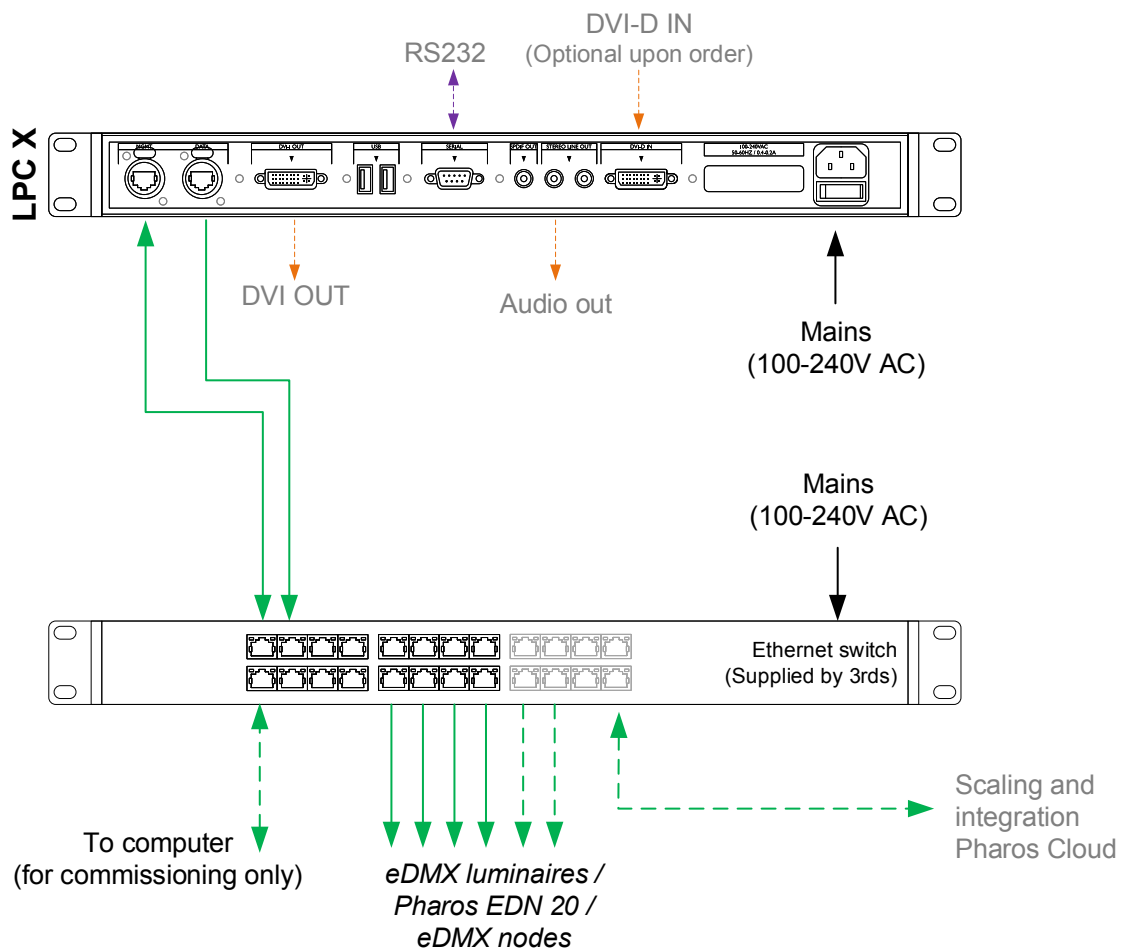


Type:	LPC X (X=10,20,30...100)
eDMX	≤ X *512 channels
Total	≤ X *512 channels



- Consult the **Installation Guide** for technical details
- See **General Notes.pdf** for information on cabling types
- **More configurations** are possible to fulfil any project
- Contact your supplier or visit our website for support



pharoscontrols.com

Reference:
1401

Size:
A4

Page:

Name:
LPC X (single network)

Date:	Rev:	Notes:
27/09/2017	V 1.0	Setup
21/01/2019	V 1.2	Minor adjustments
05/11/2019	V 1.3	EDN added
27/05/2021	V 1.4	Minor adjustments