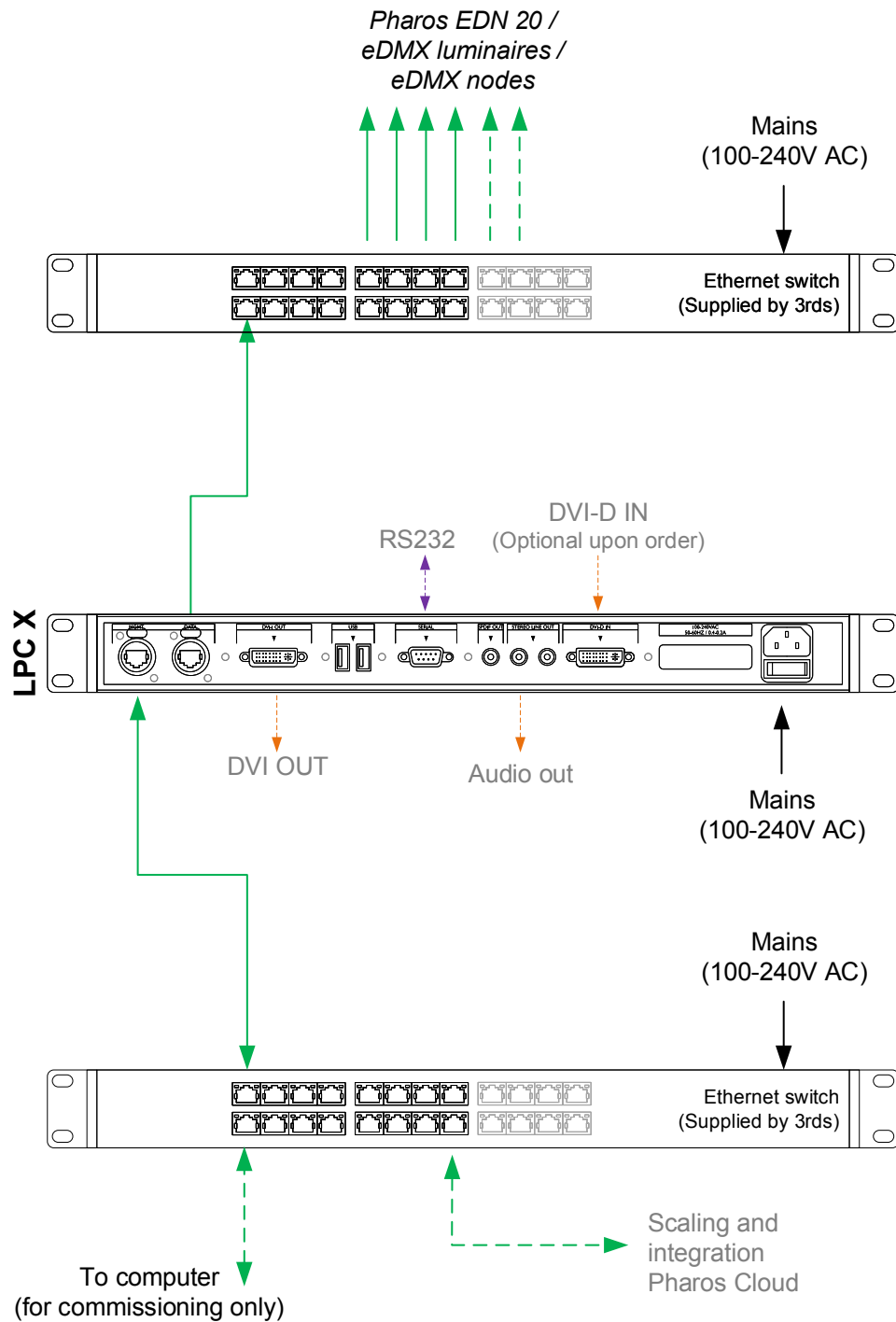


Type:	LPC X (X=10,20,30...100)
eDMX	≤ X *512 channels
Total	≤ X *512 channels



note: Requires different subnets on the two ports

- Consult the **Installation Guide** for technical details
- See **General Notes.pdf** for information on cabling types
- **More configurations** are possible to fulfil any project
- Contact your supplier or visit our website for support



pharoscontrols.com

Reference: 1402	Name: LPC X (dual network)		
Size: A4	Date: 27/09/2017	Rev: V 1.0	Notes: Setup
Page:	21/01/2019	V 1.2	Minor adjustments
	05/11/2019	V 1.3	EDN added
	27/05/2021	V 1.4	Minor adjustments