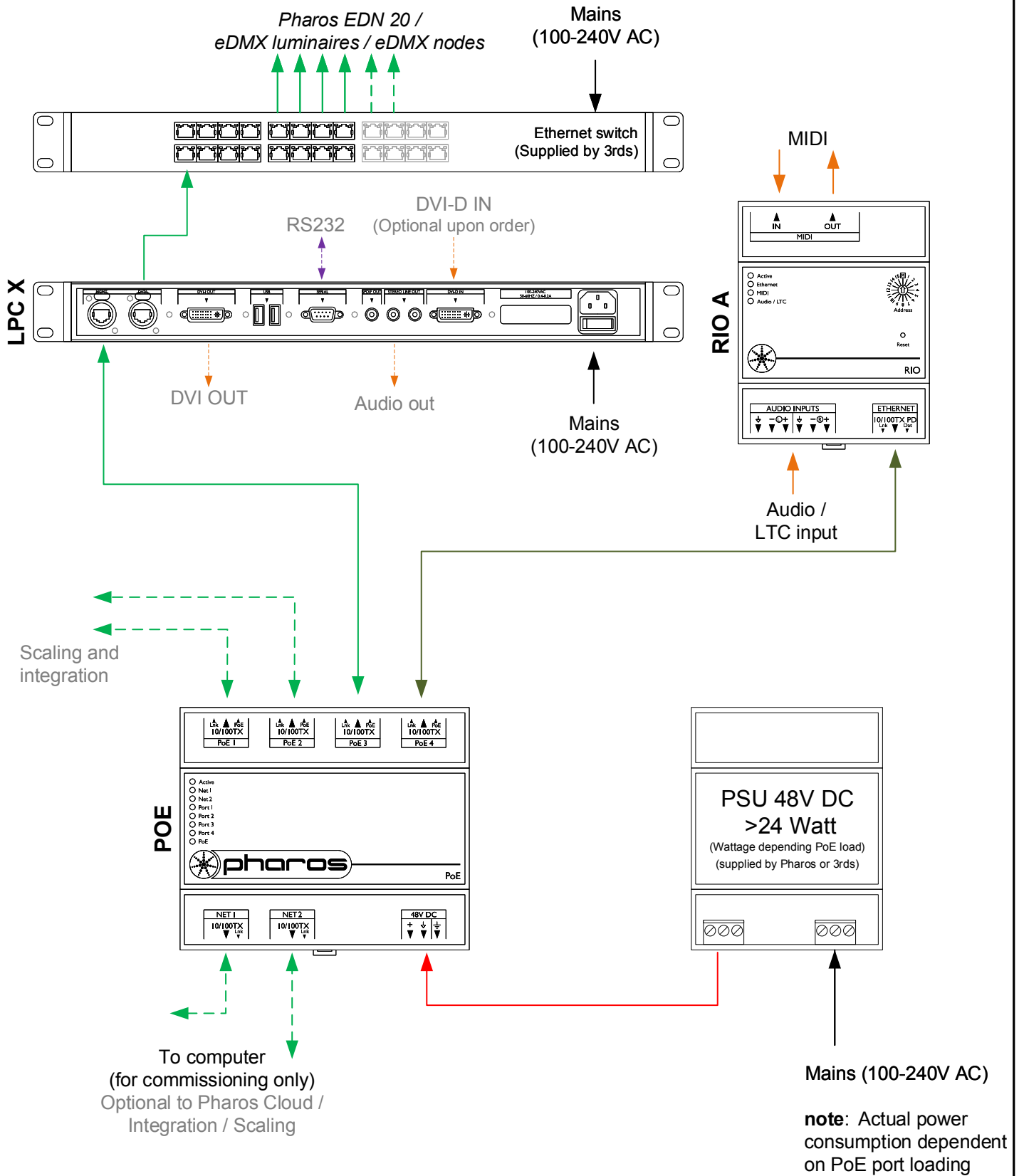



Type: **LPC X (X=10,20,30...100)**
 eDMX ≤ X *512 channels
 Total ≤ X *512 channels



- Consult the **Installation Guide** for technical details
- See **General Notes.pdf** for information on cabling types
- **More configurations** are possible to fulfil any project
- Contact your supplier or visit our website for support

 pharoscontrols.com	Reference: 1406	Name: LPC X - RIO A		
	Size: A4	Date:	Rev:	
	Page:	27/09/2017	V 1.0	Notes: Setup
		21/01/2019	V 1.2	Minor adjustments
	05/11/2019	V 1.3	EDN added	
	27/05/2021	V 1.4	Minor adjustments	