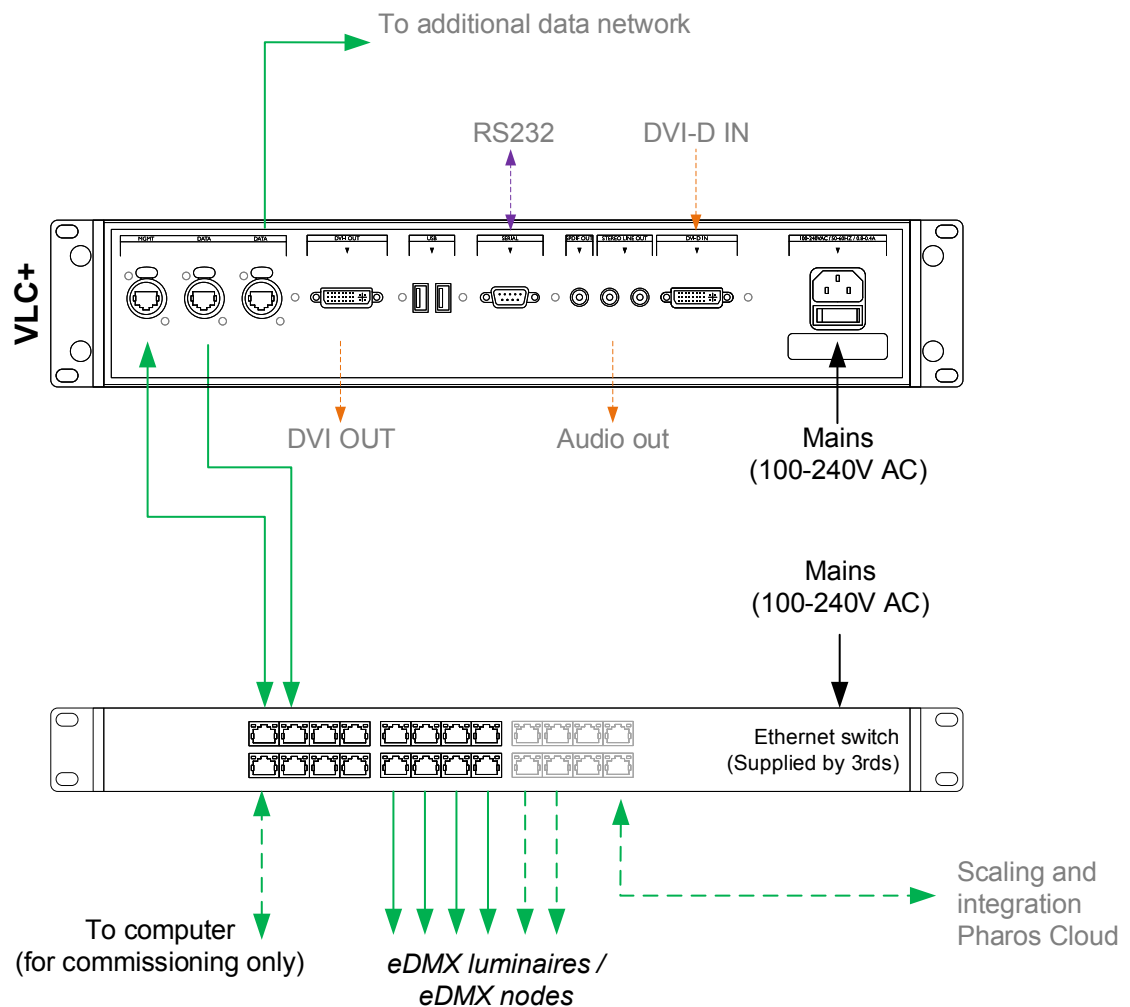


Type:	VLC+ __ (__=50,100,250,500,1000,150,3000)
eDMX	≤ __*512 channels
Total	≤ __*512 channels



- Consult the **Installation Guide** for technical details
- See **General Notes.pdf** for information on cabling types
- **More configurations** are possible to fulfil any project
- Contact your supplier or visit our website for support



pharoscontrols.com

Reference:	1601		
Name:	VLC+ (single network)		
Size:	Date:	Rev:	Notes:
A4	27/09/2017	V 1.0	Setup
	21/01/2019	V 1.2	Setup
Page:	27/05/2021	V 1.3	Minor adjustments