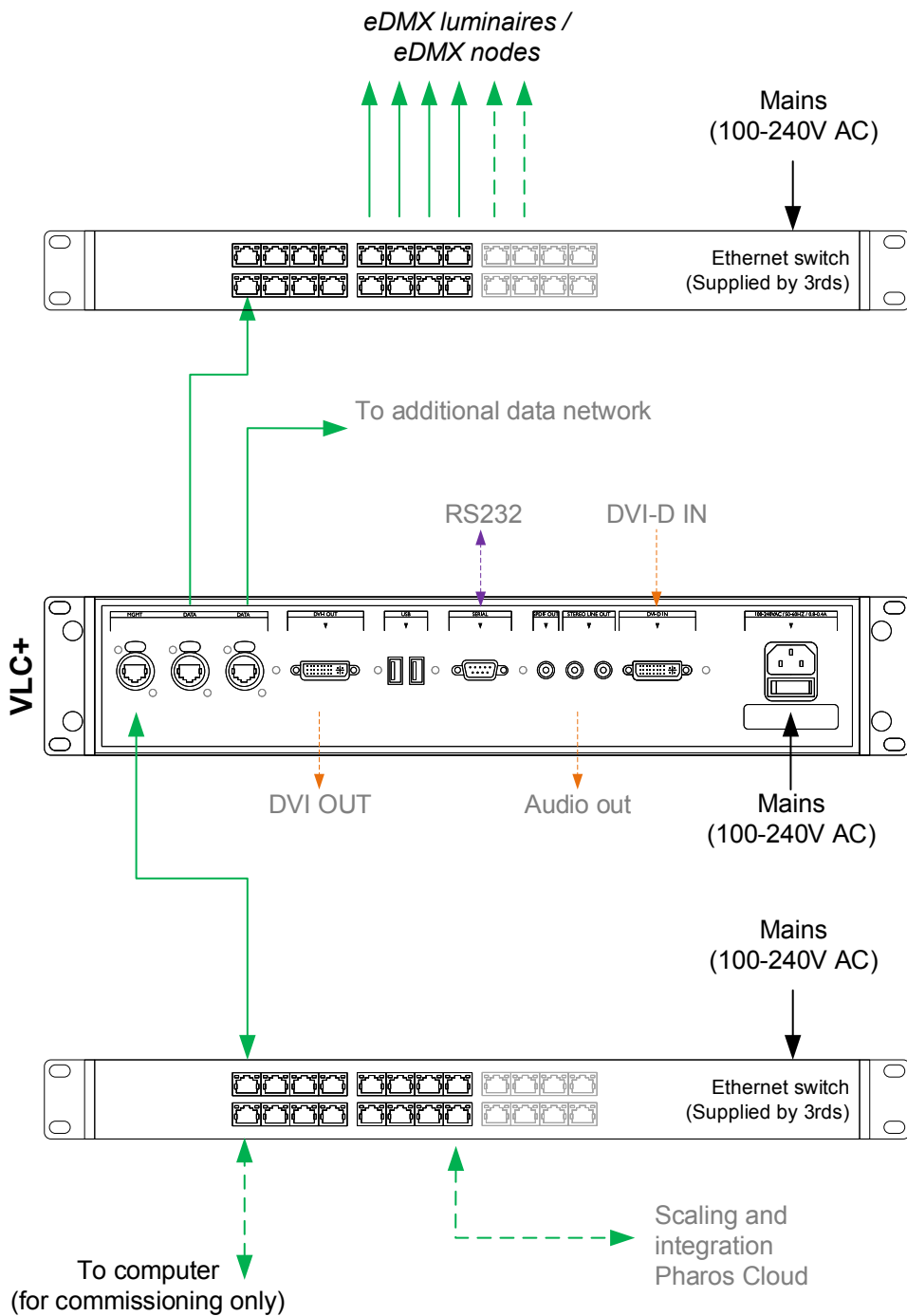



Type: **VLC+** __ (__ =50,100,250,500,1000,150,3000)
 eDMX ≤ __ *512 channels
 Total ≤ __ *512 channels



note: Requires different subnets on the two ports

- Consult the **Installation Guide** for technical details
- See **General Notes.pdf** for information on cabling types
- **More configurations** are possible to fulfil any project
- Contact your supplier or visit our website for support

 pharoscontrols.com	Reference: 1602	Name: VLC+ (dual network)		
	Size: A4	Date: 27/09/2017	Rev: V 1.0	Notes: Setup
	Page:	21/01/2019	V 1.2	Setup
		27/05/2021	V 1.3	Minor adjustments