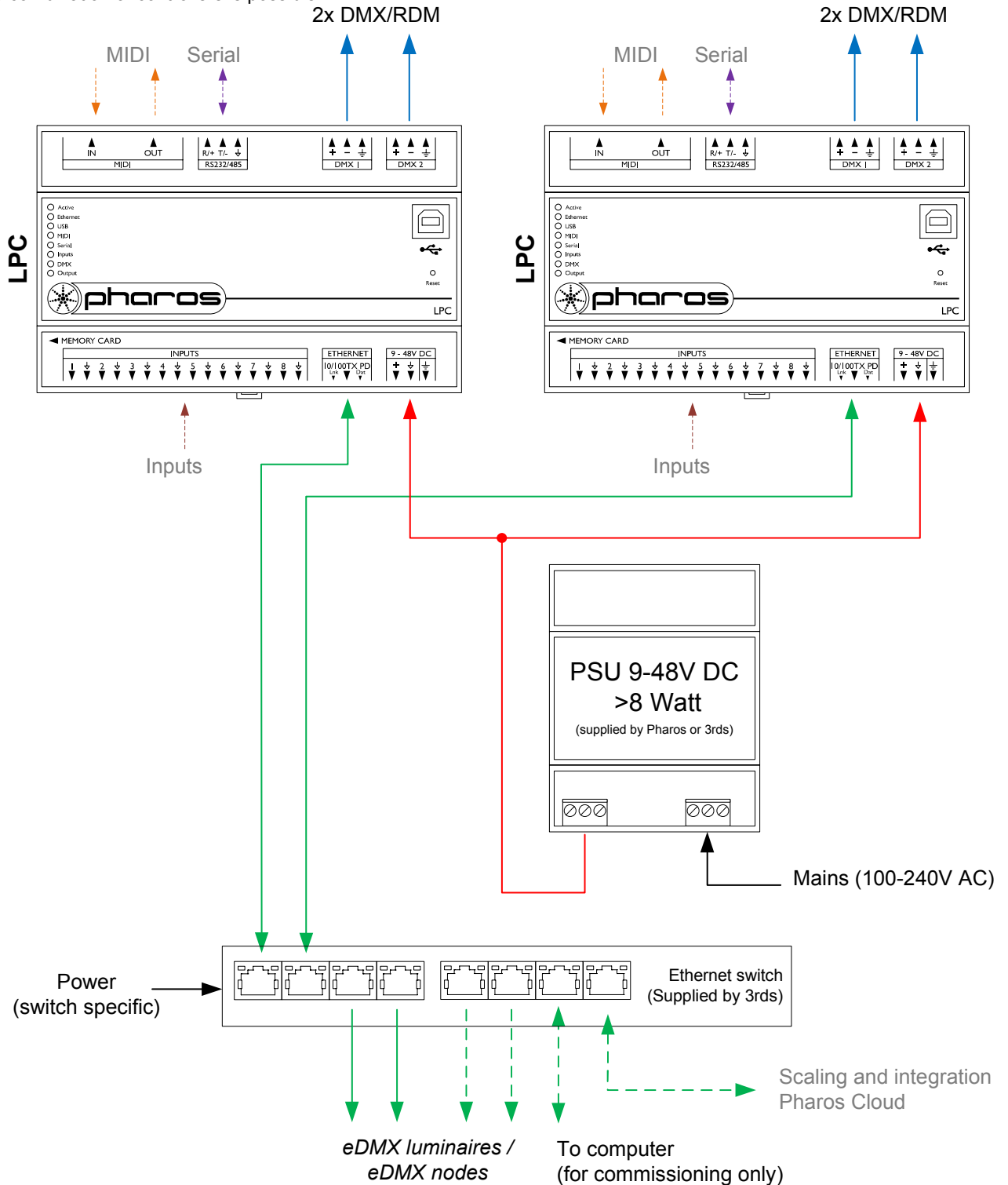



Type:	2x LPC 1	2x LPC 2	2x LPC 4
1:DMX 1	≤ 512 channels	≤ 512 channels	≤ 512 channels
1:DMX 2	≤ 512 channels	≤ 512 channels	≤ 512 channels
2:DMX 1	≤ 512 channels	≤ 512 channels	≤ 512 channels
2:DMX 2	≤ 512 channels	≤ 512 channels	≤ 512 channels
eDMX	≤ 1,024 channels	≤ 2,048 channels	≤ 4,096 channels
Total	≤ 1,024 channels	≤ 2,048 channels	≤ 4,096 channels

Note: Any combination of controllers is possible



- Consult the **Installation Guide** for technical details
- See **General Notes.pdf** for information on cabling types
- **More configurations** are possible to fulfil any project
- Contact your supplier or visit our website for support

 pharoscontrols.com	Reference: 2003	Name: 2x LPC (DC power)		
	Size: A4	Date: 07/11/2016	Rev: V 1.0	
	Page:	17/09/2018	V 1.1	Notes: Setup
		21/01/2019	V 1.2	Minor adjustments