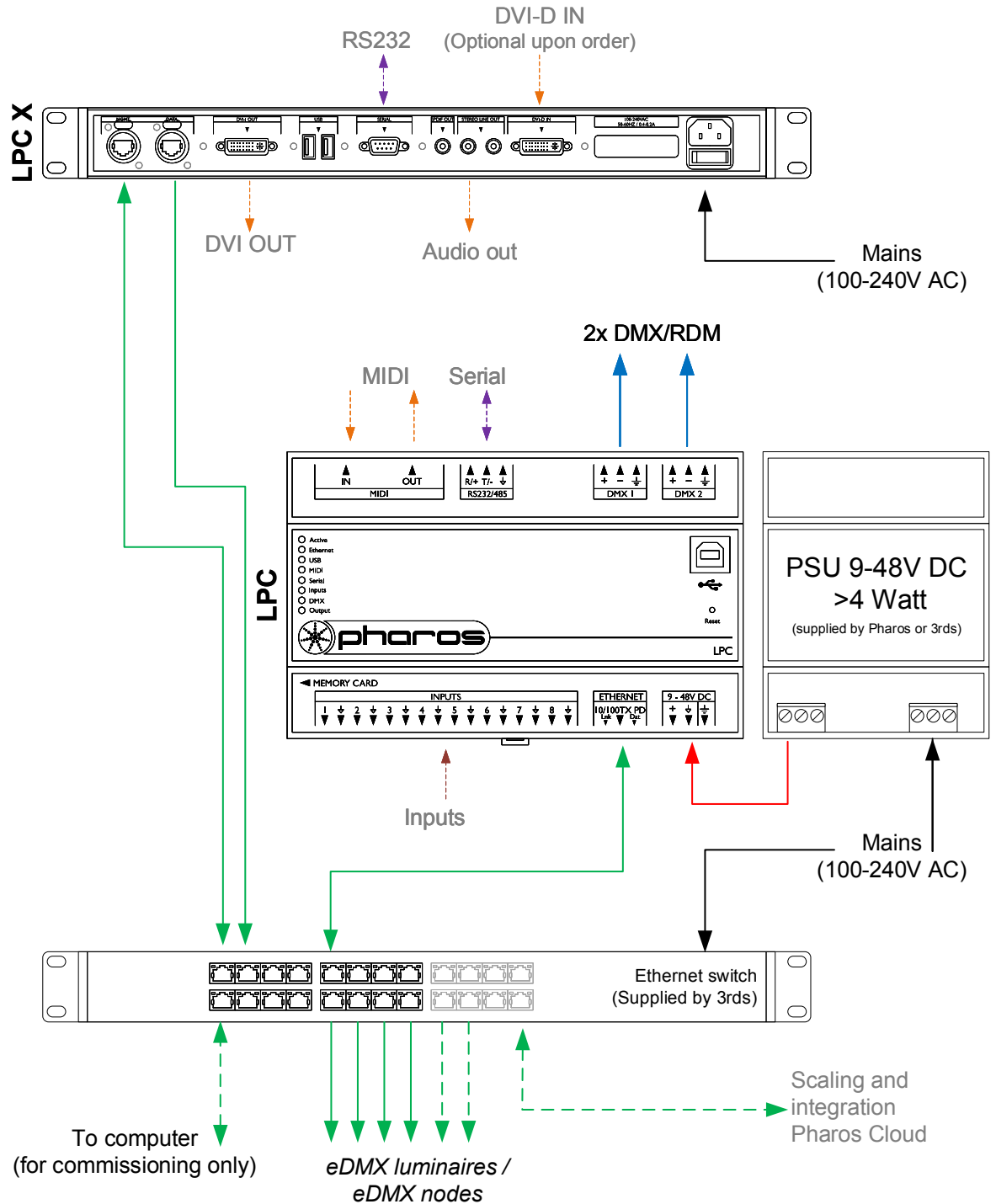



Type:	LPC X (X=10,20,30...100) ( e.g. LPC 10 = 10x512=5,120 ch)+		
	LPC 1	LPC 2	LPC 4
1:DMX 1	≤ 512 channels	≤ 512 channels	≤ 512 channels
1:DMX 2	Clone to DMX1	≤ 512 channels	≤ 512 channels
eDMX	≤ (1/2/4 + X) *512 (DMX via eDMX Nodes)		
Total	≤ (1/2/4 + X) *512 (e.g. 51,712 channels)		

**Note:** All channels are part of the same project / show. The DVI-D input is local to the LPC X channels.



- Consult the **Installation Guide** for technical details
- See **General Notes.pdf** for information on cabling types
- **More configurations** are possible to fulfil any project
- Contact your supplier or visit our website for support

 pharoscontrols.com	Reference: 2108	Name: LPC&LPCX (single PoE network)	
	Size: A4	Date: 17/09/2018	Rev: V 1.0
	Page:	Notes: Setup	Minor adjustments