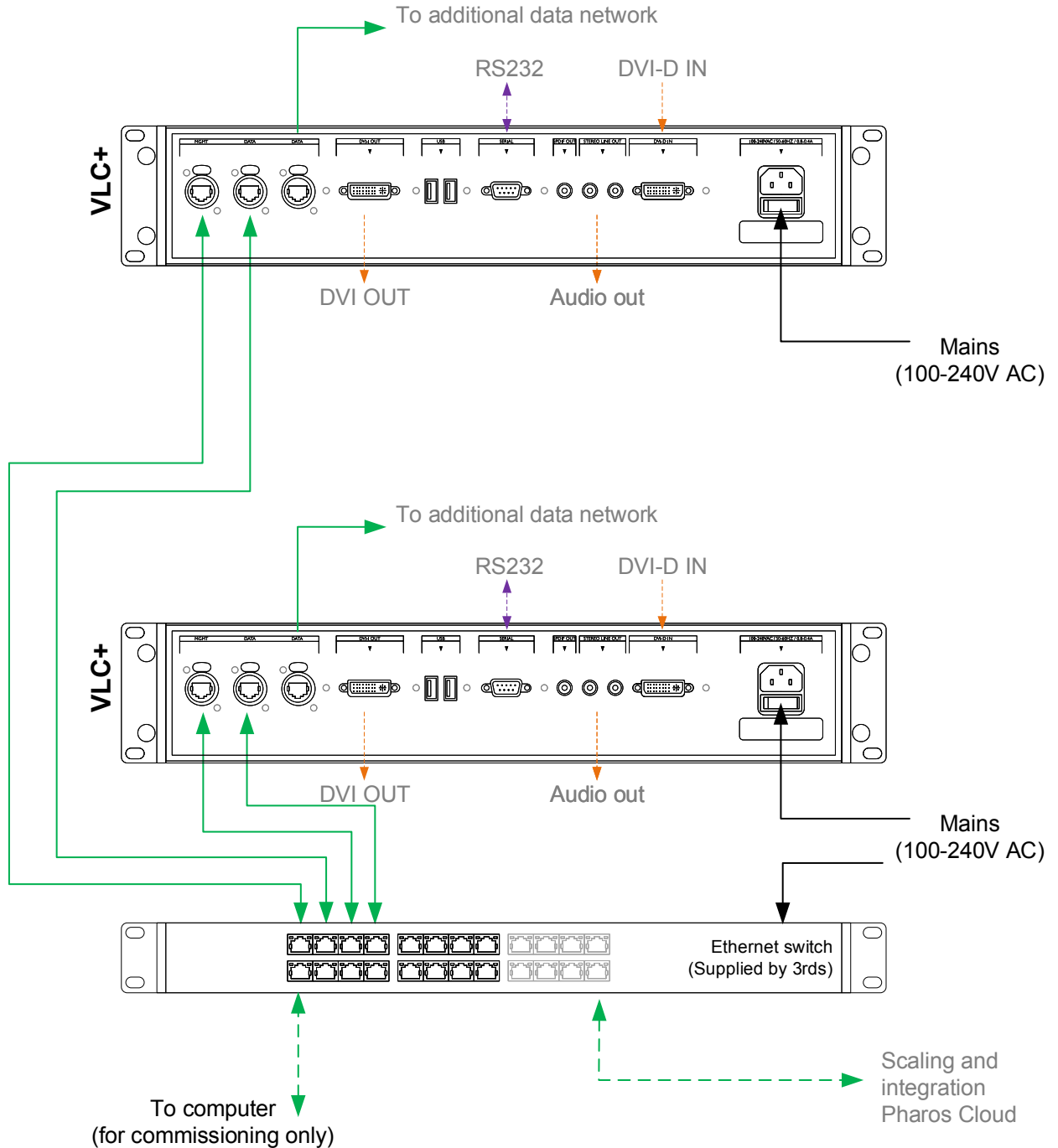


Type:	VLC+ __ (__=50,100,250,500,1000,1500,3000)(e.g. VLC+100)
eDMX	≤ __*512 (DMX via eDMX Nodes)
Total	≤ __*512 (e.g. 51,200 channels)
Type:	VLC+ __ (__=50,100,250,500,1000,1500,3000)(e.g. VLC+100)
eDMX	≤ __*512 (DMX via eDMX Nodes)
Total	≤ __*512 (e.g. 51,200 channels)

Note: The VLC+ can be programmed and triggered in the same project. Each set of VLC+ channels are used to control a single composition of fixtures. The DVI-D input is local to the VLC+ channels.
A VLC+ can create sufficient traffic to fill a GB network. This setup works for smaller VLC+ only.



- Consult the **Installation Guide** for technical details
- See **General Notes.pdf** for information on cabling types
- **More configurations** are possible to fulfil any project
- Contact your supplier or visit our website for support



pharoscontrols.com

Reference:	2207		
Name:	2x VLC+ (single network)		
Size:	Date:	Rev:	Notes:
A4	17/09/2018	V 1.0	Setup
	21/01/2019	V 1.2	Setup
Page:	27/05/2021	V 1.3	Minor adjustments