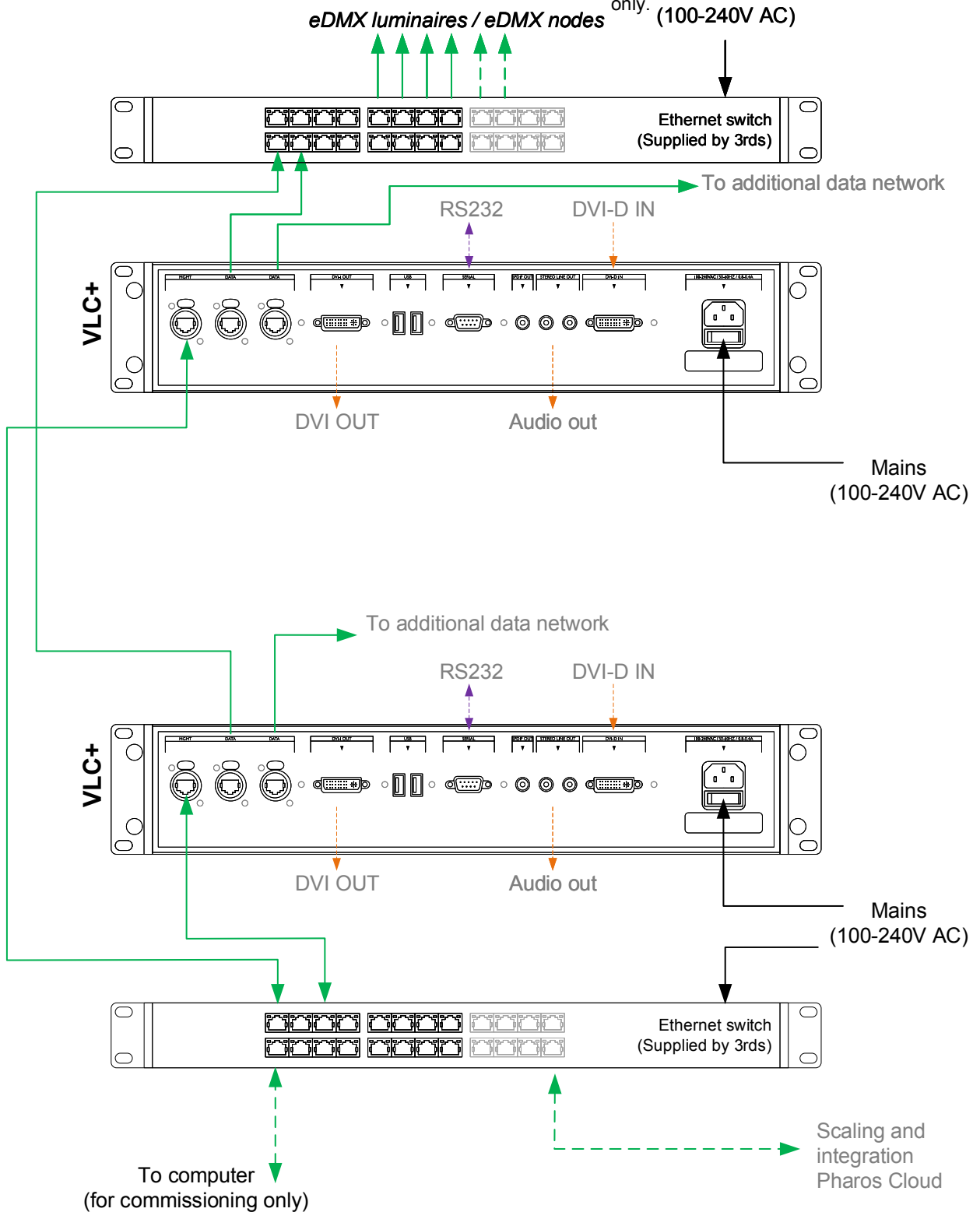



Type: VLC+ (___=50,100,250,500,1000,1500,3000)(e.g. VLC+100)
 eDMX ≤ ___*512 (DMX via eDMX Nodes)
 Total ≤ ___*512 (e.g. 51,200 channels)

Type: VLC+ (___=50,100,250,500,1000,1500,3000)(e.g. VLC+100)
 eDMX ≤ ___*512 (DMX via eDMX Nodes)
 Total ≤ ___*512 (e.g. 51,200 channels)

Note: The VLC+ can be programmed and triggered in the same project. Each set of VLC+ channels are used to control a single composition of fixtures. The DVI-D input is local to the VLC+ channels.
 A VLC+ can create sufficient traffic to fill a GB network. This setup works for smaller VLC+ only. (100-240V AC)



- Consult the **Installation Guide** for technical details
- See **General Notes.pdf** for information on cabling types
- **More configurations** are possible to fulfil any project
- Contact your supplier or visit our website for support

 pharoscontrols.com	Reference: 2208	Name: 2x VLC+ (dual network)		
	Size: A4	Date: 17/09/2018	Rev: V 1.0	Notes: Setup
	Page:	21/01/2019	V 1.2	Setup
		27/05/2021	V 1.3	Minor adjustments