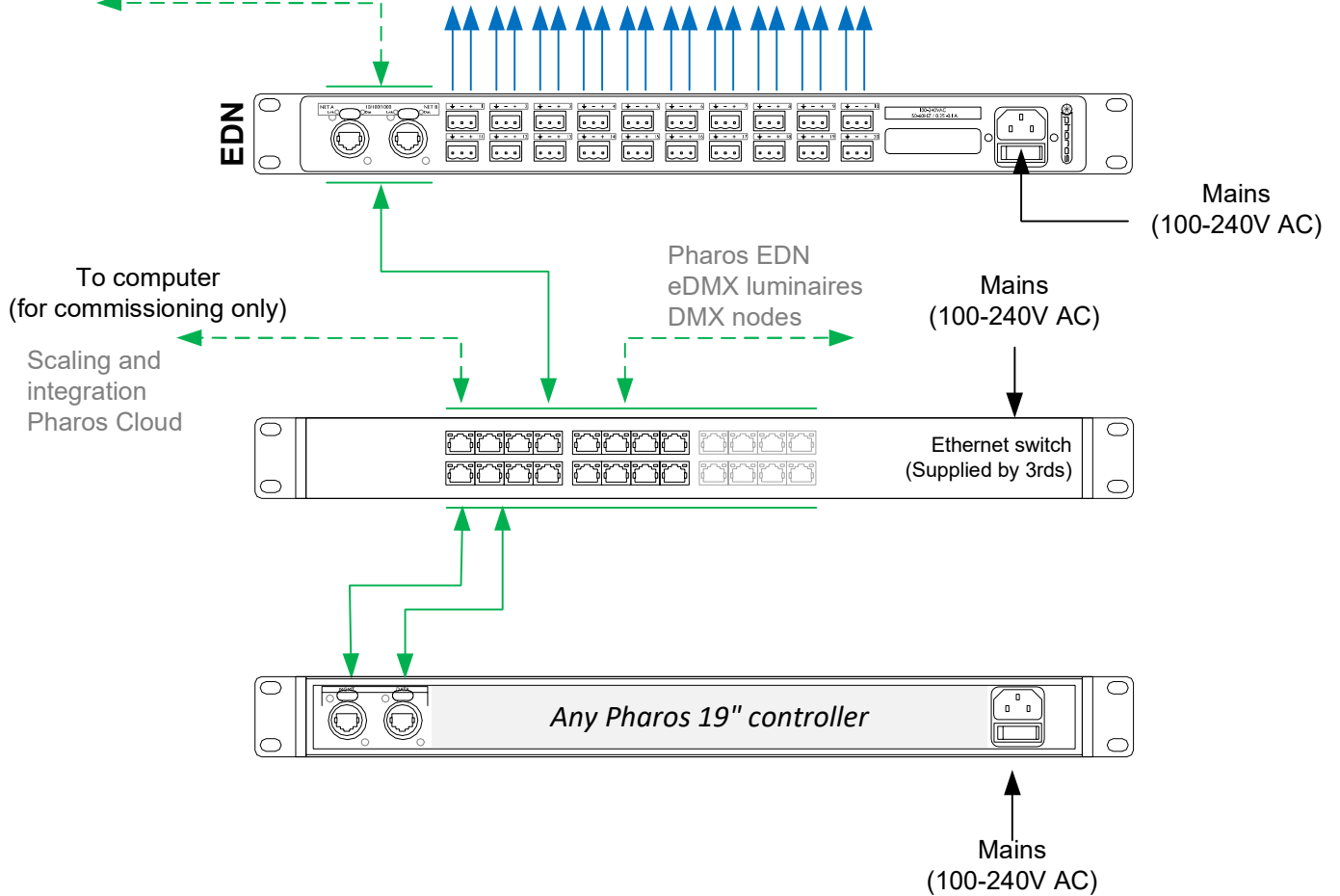


Pharos EDN / eDMX
luminaires / DMX nodes /
(Daisy chain up to 8 EDN
without visible latency)

10x DMX/RDM (EDN 10)
20x DMX/RDM (EDN 20)



- Consult the **Installation Guide** for technical details
- See **General Notes.pdf** for information on cabling types
- **More configurations** are possible to fulfil any project
- Contact your supplier or visit our website for support



pharoscontrols.com

Reference: 4003	Name: 19" EDN flat network		
Size: A4	Date: 21/01/2021	Rev: V 1.0	Notes: Setup
Page:			