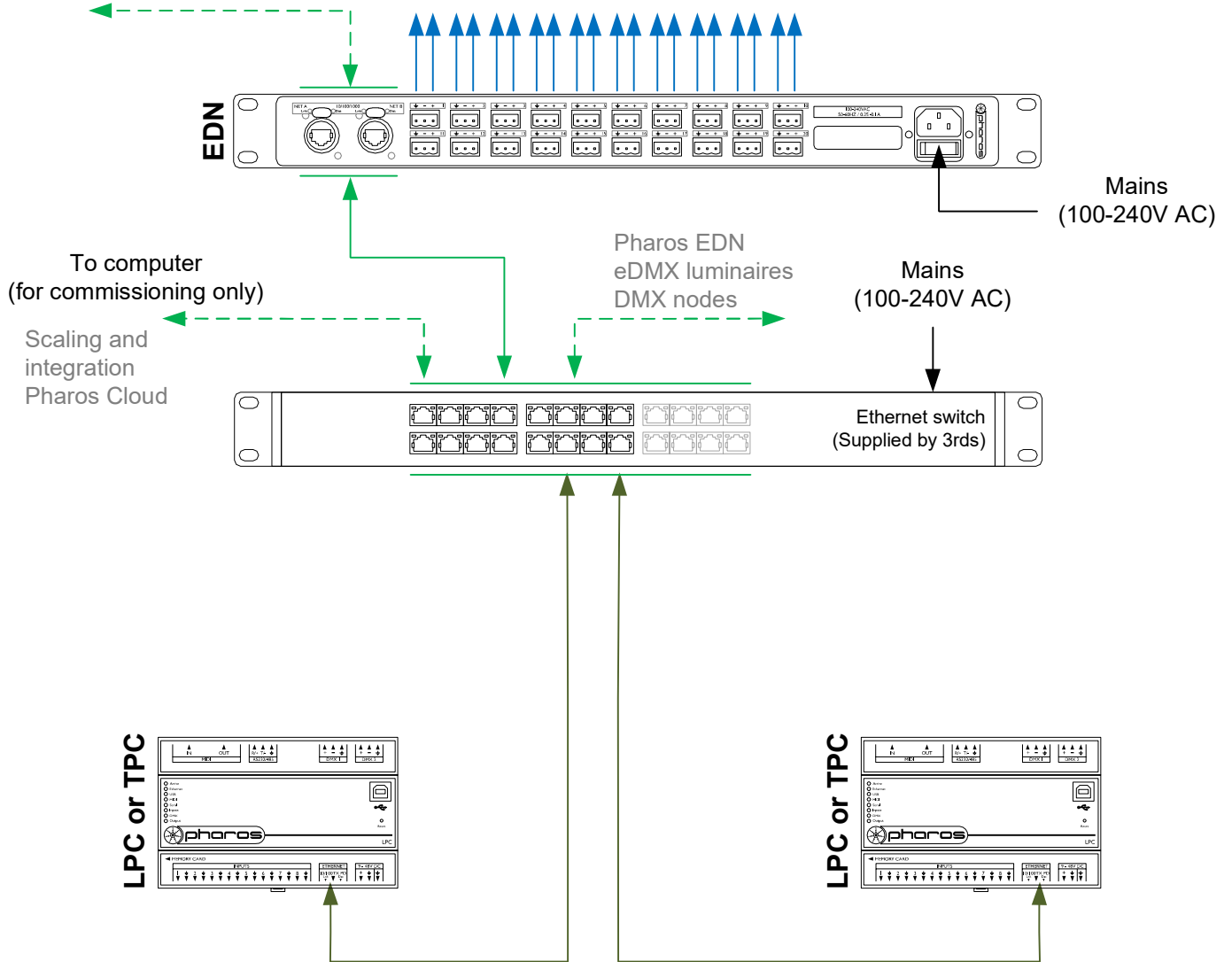


Pharos EDN / eDMX luminaires
/ DMX nodes /
(Daisy chain up to 8 EDN
without visible latency)


10x DMX/RDM (EDN 10)
20x DMX/RDM (EDN 20)



*The EDN and controllers need to be in the same project.
From there, it is possible to define, per port,
which port a controller will output through.*

note: Even though an LPC or TPC can patch to multiple universes, limits will apply
(Patching 20 full universes from a single LPC may come at a performance penalty)
Contact support for further questions.

- Consult the **Installation Guide** for technical details
- See **General Notes.pdf** for information on cabling types
- **More configurations** are possible to fulfil any project
- Contact your supplier or visit our website for support

 pharoscontrols.com	Reference: 4013	Name: 2xDIN - EDN		
	Size: A4	Date: 21/01/2021	Rev: V 1.0	Notes: Setup
	Page:			